

Brass Thermowell (Fabricated)

Brass thermowell (fabricated) with 1/2" NPT external thread and integrated compression fitting for ease of installation for immersion and cable sensors 01DT.., 22DT.., 01CT.., 22CT..



5-year warranty

Type Overview

Type	Thermowell length	Insertion length	Thermowell diameter	Max. flow velocity	Weight
A-22P-A17	2" [50 mm]	0.90" [23 mm]	0.35" [9 mm]	87.3 ft/s [26.6 m/s]	0.11 lb [0.060 kg]
A-22P-A19	4" [100 mm]	2.87" [73 mm]	0.35" [9 mm]	40.0 ft/s [12.2 m/s]	0.13 lb [0.070 kg]
A-22P-A21	6" [150 mm]	4.84" [123 mm]	0.35" [9 mm]	23.6 ft/s [7.2 m/s]	0.16 lb [0.080 kg]
A-22P-A23	8" [200 mm]	6.81" [173 mm]	0.35" [9 mm]	13.1 ft/s [4.0 m/s]	0.18 lb [0.090 kg]
A-22P-A25	12" [300 mm]	10.74" [273 mm]	0.35" [9 mm]	5.6 ft/s [1.7 m/s]	0.23 lb [0.11 kg]
A-22P-A27	18" [450 mm]	16.65" [423 mm]	0.35" [9 mm]	2.3 ft/s [0.7 m/s]	0.30 lb [0.14 kg]

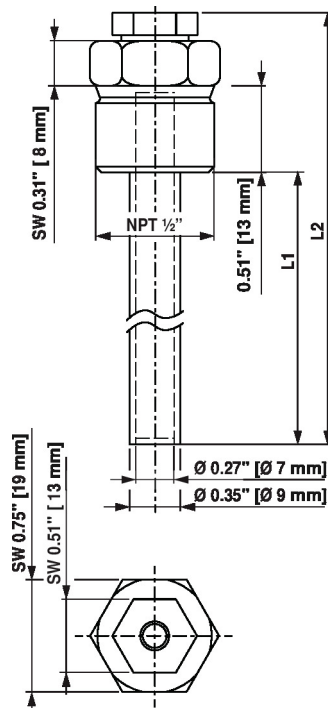
Technical data

Functional Data	Application	Water
Safety Data	Quality Standard	ISO 9001
	Fluid temperature	Up to max. 270°F [130°C]
Materials	Probe material	Brass
	Thermowell material	Thread and Hex: C38500 Thermowell Length: C27400
		Compression fitting: Polyamid (PA66/GF25)

Safety Notes

WARNING: This product can expose you to lead which is known to the State of California to cause cancer and reproductive harm. For more information go to www.p65warnings.ca.gov

Dimensions



Typ	L1	L2
A-22P-A17	.90" [23 mm]	1.93" [49 mm]
A-22P-A19	2.87" [73 mm]	3.90" [99 mm]
A-22P-A21	4.84" [123 mm]	5.87" [149 mm]
A-22P-A23	6.81" [173 mm]	7.83" [199 mm]
A-22P-A25	10.74" [273 mm]	11.77" [299 mm]
A-22P-A27	16.65" [423 mm]	17.68" [449 mm]