

**Stainless Steel Thermowell (Fabricated)**

Stainless steel thermowell (fabricated) with 1/2" NPT external thread and integrated compression fitting for ease of installation for immersion and cable temperature sensors  
01DT.., 22DT.., 01CT.., 22CT..



5-year warranty

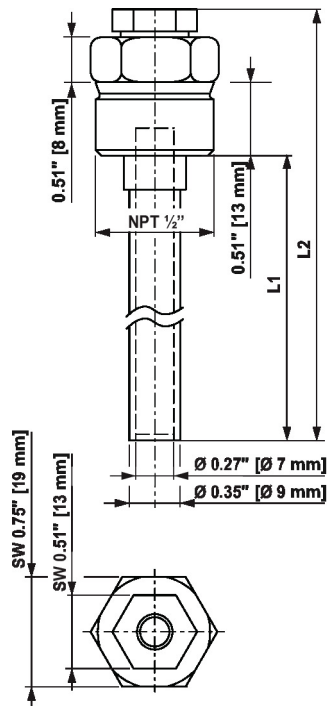
**Type Overview**

Type	Thermowell length	Insertion length	Thermowell diameter	Max. flow velocity	Weight
A-22P-A05	2" [50 mm]	0.90" [23 mm]	0.35" [9 mm]	96.8 ft/s [29.5 m/s]	0.11 lb [0.065 kg]
A-22P-A07	4" [100 mm]	2.87" [73 mm]	0.35" [9 mm]	44.6 ft/s [13.6 m/s]	0.13 lb [0.075 kg]
A-22P-A09	6" [150 mm]	4.84" [123 mm]	0.35" [9 mm]	28.5 ft/s [8.7 m/s]	0.15 lb [0.085 kg]
A-22P-A11	8" [200 mm]	6.81" [173 mm]	0.35" [9 mm]	17.7 ft/s [5.4 m/s]	0.17 lb [0.095 kg]
A-22P-A13	12" [300 mm]	10.74" [273 mm]	0.35" [9 mm]	7.9 ft/s [2.4 m/s]	0.21 lb [0.11 kg]
A-22P-A15	18" [450 mm]	16.65" [423 mm]	0.35" [9 mm]	3.3 ft/s [1.0 m/s]	0.28 lb [0.14 kg]

**Technical data**

<b>Functional Data</b>	Application	Water
<b>Safety Data</b>	Quality Standard	ISO 9001
	Fluid temperature	Up to max. 392°F [200°C]
<b>Materials</b>	Probe material	Stainless steel
	Thermowell material	Thread and Hex: AISI 316L Thermowell Length: AISI 316Ti Compression fitting: Polyamid (PA66/GF25)

## Dimensions



Typ	L1	L2
A-22P-A05	.90" [23 mm]	1.93" [49 mm]
A-22P-A07	2.87" [73 mm]	3.90" [99 mm]
A-22P-A09	4.84" [123 mm]	5.87" [149 mm]
A-22P-A11	6.81" [173 mm]	7.83" [199 mm]
A-22P-A13	10.74" [273 mm]	11.77" [299 mm]
A-22P-A15	16.65" [423 mm]	17.68" [449 mm]