

**PARTS LIST**  
CP-115-PL R1



# Series e-80SC

In-Line Centrifugal Split Coupled Pumps  
REPLACEMENT PARTS



**Bell & Gossett**  
a xylem brand



**INDEX**

Exploded View Standard Sizes 1.5x7C through 8x13x5B ..... 3

Exploded View Size 10 x 13.5 ..... 4

1.5x7C, 2x7B, 2.5x7B, 3x7C, 4x7B, 5x7B, 6x7B (Motor Frames 143TC through 184TC) ..... 5

1.5x7C, 2x7B, 2.5x7B, 3x7C, 4x7B, 5x7B, 6x7B (Motor Frames 213TC through 256TC) ..... 6

1.5x9.5B, 2x9.5C, 2.5x9.5C, 3x9.5C,4x9.5B, 5x9.5B, 8x9.5B Parts List  
(Motor Frames 143TC through 184TC ..... 9

1.5x9.5B, 2x9.5C, 2.5x9.5C, 3x9.5C,4x9.5B, 5x9.5B, 6x9.5B, 8x9.5B Parts List  
(Motor Frames 213TC through 256TC) ..... 10

1.5x9.5B, 2x9.5C, 2.5x9.5C, 3x9.5C,4x9.5B, 5x9.5B, 6x9.5B, 8x9.5B Parts List  
(Motor Frames 284TC through 326TSC) ..... 11

3x11B, 4x11B, 6x11B, 8x11B Parts List (Motor Frames 213TC through 256TC) .....13

3x11B, 4x11B, 6x11B, 8x11B Parts List (Motor Frames 284TC through 364TSC) .....14

4x13.5, 5x13.5, 8x13.5, 8x11B Parts List (Motor Frames 254TC through 286TC) .....16

4x13.5, 5x13.5, 8x13.5, 8x11B Parts List (Motor Frames 324TSC through 445TSC) .....17

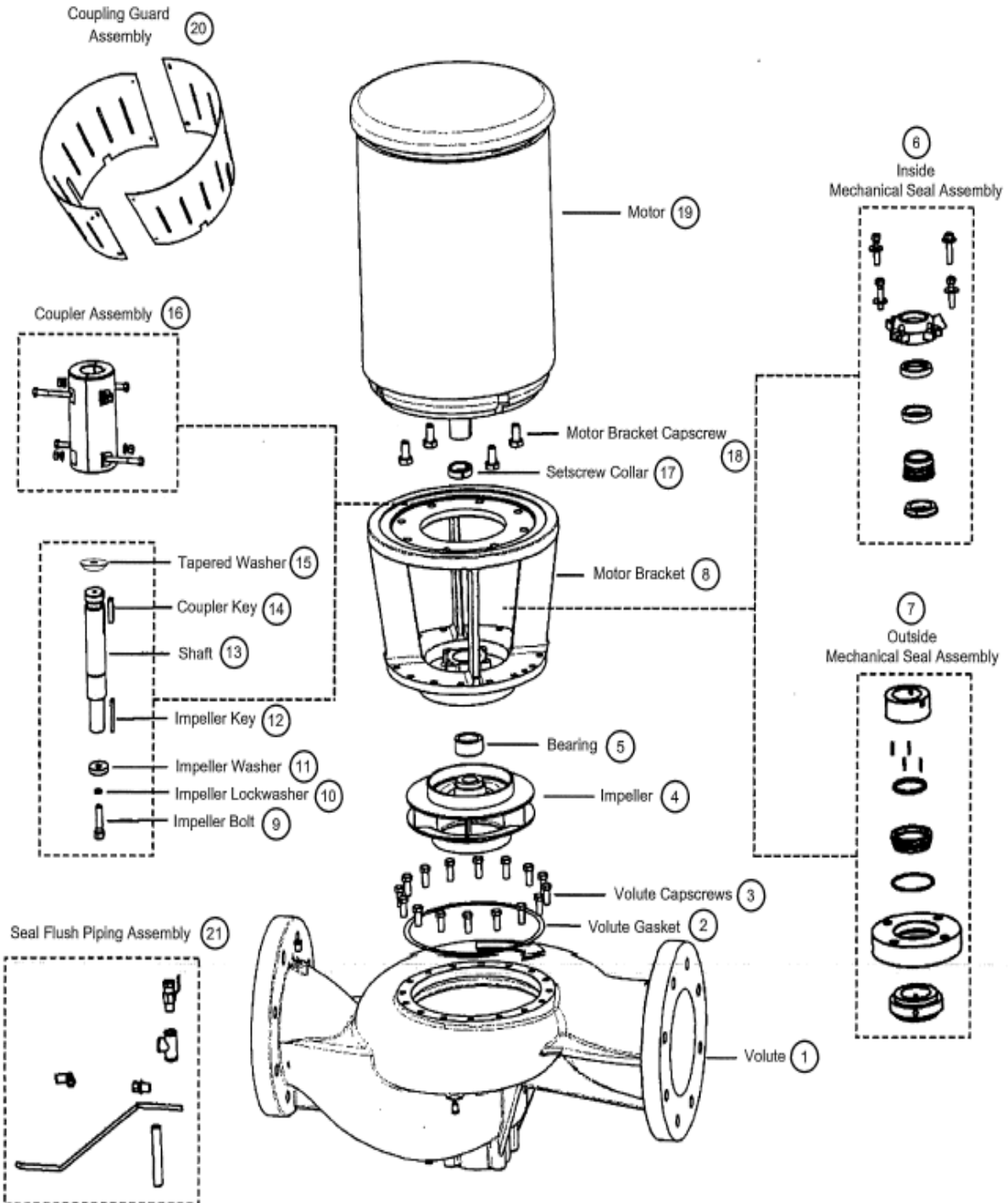
10x13.5 Parts List (Motor Frames 284TC through 364TSC, 365HP and  
404HP through 445HP) .....19

12x13 Parts List (Motor Frames 284TC through 449TC) .....20

14x14 Parts List (Motor Frames 324TC through 449TC) .....21

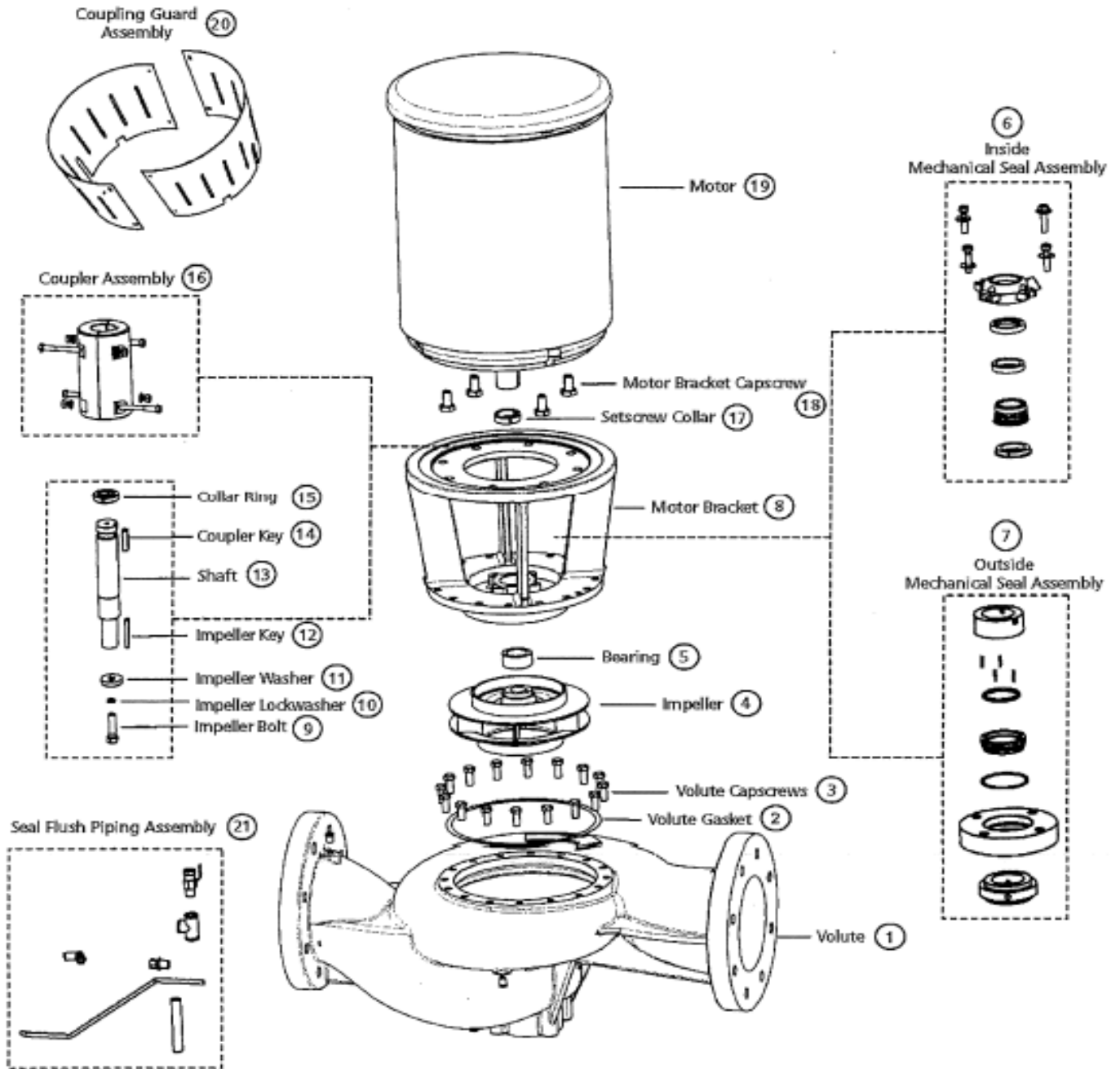
# Exploded View

## 1.5x1.5x7C to 8x8x13.5B



# Exploded View

10x10x13.5



ITEM	DESCRIPTION (QTY)	1.5x1.5x7C	2x2x7B	2.5x2.5x7B	3x3x7C	4x4x7B	5x5x7B	6x6x7B	
1	Volute	P2002390	P2002392	P2002396	P2002400	P2002404	P2002412	P85337 <sup>1</sup>	
	Pipe Plug (4)	P39040	P39040	P39040	P39040	P39040	P39040	P39040	
2	Volute Gasket	P57700	P57700	P57700	P57700	P57700	P57700	P57700	
3	Volute Capscrew (8)	P40020	P40020	P40020	P40020	P40020	P40020	P40020	
4	Impeller (State Diameter) 7" Full Dia	P2000824	P2000840	P2000854	P2000850	P2000858	P2000919	P2001003	
5	Bearing	P71378	P71378	P71378	P71378	P71378	P71378	P71378	
9	Impeller Bolt	P52350	P52350	P52350	P52350	P52350	P52350	P52350	
10	Impeller Lockwasher	J23874	J23874	J23874	J23874	J23874	J23874	J23874	
11	Impeller Washer	P46380	P46380	P46380	P46380	P46380	P46380	P46380	
12	Impeller Key	P49369	P49369	P49369	P49369	P49369	P49369	P49369	
13	Shaft	P2002870	P2002870	P2002870	P2002870	P2002870	P2002870	P2002870	
<b>Inside Seal Mechanical Seal</b>									
6	Mechanical Seal Kit	P75221	P75221	P75221	P75221	P75221	P75221	P75221	
6	Cap	P75214	P75214	P75214	P75214	P75214	P75214	P75214	
6	Capscrew (4)	H28100	H28100	H28100	H28100	H28100	H28100	H28100	
6	Gasket	P85077	P85077	P85077	P85077	P85077	P85077	P85077	
6	Snap Ring	P75218	P75218	P75218	P75218	P75218	P75218	P75218	
6	Washer (4)	P44580	P44580	P44580	P44580	P44580	P44580	P44580	
<b>Outside Seal Mechanical Seal</b>									
7	Mechanical Seal Kit	P75202	P75202	P75202	P75202	P75202	P75202	P75202	
7	Capscrew (4)	H52100	H52100	H52100	H52100	H52100	H52100	H52100	
7	Gland	P75204	P75204	P75204	P75204	P75204	P75204	P75204	
7	Washer (4)	P44580	P44580	P44580	P44580	P44580	P44580	P44580	
<b>Motor Frames 143TC-145TC</b>									
8	Motor Bracket (Inside Seal)	P2002485	P2002485	P2002485	P2002485	P2002485	P2002485	P2002485	
8	Motor Bracket (Outside Seal)	P2002486	P2002486	P2002486	P2002486	P2002486	P2002486	P2002486	
14	Coupling Key	P75182	P75182	P75182	P75182	P75182	P75182	P75182	
15	Tapered Washer	P2002874	P2002874	P2002874	P2002874	P2002874	P2002874	P2002874	
15	Tapered Washer Capscrew	510830	510830	510830	510830	510830	510830	510830	
15	Tapered Washer Lockwasher	P16690	P16690	P16690	P16690	P16690	P16690	P16690	
17	Setscrew Collar	P2002492	P2002492	P2002492	P2002492	P2002492	P2002492	P2002492	
17	Set Screw (3)	P71386	P71386	P71386	P71386	P71386	P71386	P71386	
18	Motor Bracket Capscrew (4)	DJ0071	DJ0071	DJ0071	DJ0071	DJ0071	DJ0071	DJ0071	
19	Motor Key	AC1642	AC1642	AC1642	AC1642	AC1642	AC1642	AC1642	
20	Guard	P71385	P71385	P71385	P71385	P71385	P71385	P71385	
20	Guard Screw (4)	P86085	P86085	P86085	P86085	P86085	P86085	P86085	
16	Coupler, Split	P2002487	P2002487	P2002487	P2002487	P2002487	P2002487	P2002487	
16	Capscrew (4)	DJ0042	DJ0042	DJ0042	DJ0042	DJ0042	DJ0042	DJ0042	
16	Hex Nut (4)	P44190	P44190	P44190	P44190	P44190	P44190	P44190	
16	Lockwasher (4)	P44620	P44620	P44620	P44620	P44620	P44620	P44620	
<b>Motor Frames 182TC-184TC</b>									
8	Motor Bracket (Inside Seal)	P70928	P70928	P70928	P70928	P70928	P70928	P70928	
8	Motor Bracket (Outside Seal)	P70929	P70929	P70929	P70929	P70929	P70929	P70929	
14	Coupling Key	P75182	P75182	P75182	P75182	P75182	P75182	P75182	
15	Tapered Washer	P2002874	P2002874	P2002874	P2002874	P2002874	P2002874	P2002874	
15	Tapered Washer Capscrew	510830	510830	510830	510830	510830	510830	510830	
15	Tapered Washer Lockwasher	P16690	P16690	P16690	P16690	P16690	P16690	P16690	
17	Setscrew Collar	P70995	P70995	P70995	P70995	P70995	P70995	P70995	
17	Set Screw (3)	P71386	P71386	P71386	P71386	P71386	P71386	P71386	
18	Motor Bracket Capscrew (4)	P13780	P13780	P13780	P13780	P13780	P13780	P13780	
19	Motor Key	P75189	P75189	P75189	P75189	P75189	P75189	P75189	
20	Guard	P71385	P71385	P71385	P71385	P71385	P71385	P71385	
20	Guard Screw (4)	P86085	P86085	P86085	P86085	P86085	P86085	P86085	
16	Coupler, Split	P2002864	P2002864	P2002864	P2002864	P2002864	P2002864	P2002864	
16	Capscrew (4)	DJ0042	DJ0042	DJ0042	DJ0042	DJ0042	DJ0042	DJ0042	
16	Hex Nut (4)	P44190	P44190	P44190	P44190	P44190	P44190	P44190	
16	Lockwasher (4)	P44620	P44620	P44620	P44620	P44620	P44620	P44620	
<b>Flush Piping</b>									
21	Nipple							DL0025	
21	Straight Tee							P75181	
21	Bushing, Hex 0.25 MNPTx0.12 FNPT							511849	
21	Hose	P2002542	P2002542	P2002542	P2002542	P2002543	P2002543	P2002543	
21	Valve, Vent							P75255	
21	Elbow, Street 0.25	AC0530	AC0530	AC0530	AC0530	AC0530	AC0530	AC0530	
21	Bushing, Hex 0.25 MNPTx0.12 FNPT							DF0003	

ITEM	DESCRIPTION (QTY)	1.5x1.5x7C	2x2x7B	2.5x2.5x7B	3x3x7C	4x4x7B (For use with 213TC-256TC)	5x5x7B (For use with 213TC-256TC)	6x6x7B (For use with 213TC-256TC)
1	Volute	P2002390	P2002392	P2002396	P2002400	P2002404	P2002412	P2004757
	Pipe Plug (4)	P39040	P39040	P39040	P39040	P39040	P39040	P39040
2	Volute Gasket	P57700	P57700	P57700	P57700	P57700	P57700	P57700
3	Volute Capscrew (8)	P40020	P40020	P40020	P40020	P40020	P40020	P40020
4	Impeller (State Diameter) 7" Full Dia	P2000824	P2000840	P2000854	P2000850	P2000858	P2000919	P2001003
5	Bearing	P71378	P71378	P71378	P71378	P71378	P71378	P71378
9	Impeller Bolt	P52350	P52350	P52350	P52350	P52350	P52350	P52350
10	Impeller Lockwasher	J23874	J23874	J23874	J23874	J23874	J23874	J23874
11	Impeller Washer	P46380	P46380	P46380	P46380	P46380	P46380	P46380
12	Impeller Key	P49369	P49369	P49369	P49369	P49369	P49369	P49369
13	Shaft	P2002870	P2002870	P2002870	P2002870	P2002870	P2002870	P2002870
<b>Inside Seal</b>								
6	Mechanical Seal Kit	P75221	P75221	P75221	P75221	P75221	P75221	P75221
6	Cap	P75214	P75214	P75214	P75214	P75214	P75214	P75214
6	Capscrew (4)	H28100	H28100	H28100	H28100	H28100	H28100	H28100
6	Gasket	P85077	P85077	P85077	P85077	P85077	P85077	P85077
6	Snap Ring	P75218	P75218	P75218	P75218	P75218	P75218	P75218
6	Washer (4)	P44580	P44580	P44580	P44580	P44580	P44580	P44580
<b>Outside Seal</b>								
7	Mechanical Seal Kit	P75202	P75202	P75202	P75202	P75202	P75202	P75202
7	Capscrew (4)	H52100	H52100	H52100	H52100	H52100	H52100	H52100
7	Gland	P75204	P75204	P75204	P75204	P75204	P75204	P75204
7	Washer (4)	P44580	P44580	P44580	P44580	P44580	P44580	P44580
<b>Motor Frame 213TC-215TC</b>								
8	Motor Bracket (Inside Seal)	P70928	P70928	P70928	P70928	P70928	P70928	P70928
8	Motor Bracket (Outside Seal)	P70929	P70929	P70929	P70929	P70929	P70929	P70929
14	Coupling Key	P75182	P75182	P75182	P75182	P75182	P75182	P75182
15	Tapered Washer	P2002874	P2002874	P2002874	P2002874	P2002874	P2002874	P2002874
15	Tapered Washer Capscrew	510830	510830	510830	510830	510830	510830	510830
15	Tapered Washer Lockwasher	P16690	P16690	P16690	P16690	P16690	P16690	P16690
17	Setscrew Collar	P70996	P70996	P70996	P70996	P70996	P70996	P70996
17	Set Screw (3)	P71387	P71387	P71387	P71387	P71387	P71387	P71387
18	Motor Bracket Capscrew (4)	P13780	P13780	P13780	P13780	P13780	P13780	P13780
19	Motor Key	AC0523	AC0523	AC0523	AC0523	AC0523	AC0523	AC0523
20	Guard	P71385	P71385	P71385	P71385	P71385	P71385	P71385
20	Guard Screw (4)	P86085	P86085	P86085	P86085	P86085	P86085	P86085
16	Coupler, Split	P2002865	P2002865	P2002865	P2002865	P2002865	P2002865	P2002865
16	Capscrew (4)	P75206	P75206	P75206	P75206	P75206	P75206	P75206
16	Hex Nut (4)	P44190	P44190	P44190	P44190	P44190	P44190	P44190
16	Lockwasher (4)	P44620	P44620	P44620	P44620	P44620	P44620	P44620
<b>Motor Frame 254TC-256TC</b>								
8	Motor Bracket (Inside Seal)	N/A	P70928	P70928	P70928	P70928	P70928	N/A
8	Motor Bracket (Outside Seal)	N/A	P70929	P70929	P70929	P70929	P70929	N/A
14	Coupling Key	N/A	P75182	P75182	P75182	P75182	P75182	N/A
15	Tapered Washer	N/A	P2002874	P2002874	P2002874	P2002874	P2002874	N/A
15	Tapered Washer Capscrew	N/A	510830	510830	510830	510830	510830	N/A
15	Tapered Washer Lockwasher	N/A	P16690	P16690	P16690	P16690	P16690	N/A
17	Setscrew Collar	N/A	P70997	P70997	P70997	P70997	P70997	N/A
17	Set Screw (3)	N/A	P71387	P71387	P71387	P71387	P71387	N/A
18	Motor Bracket Capscrew (4)	N/A	P13780	P13780	P13780	P13780	P13780	N/A
19	Motor Key	N/A	P75190	P75190	P75190	P75190	P75190	N/A
20	Guard	N/A	P71385	P71385	P71385	P71385	P71385	N/A
20	Guard Screw (4)	N/A	P86085	P86085	P86085	P86085	P86085	N/A
16	Coupler, Split	N/A	P2002866	P2002866	P2002866	P2002866	P2002866	N/A
16	Capscrew (4)	N/A	P75207	P75207	P75207	P75207	P75207	N/A
16	Hex Nut (4)	N/A	P44190	P44190	P44190	P44190	P44190	N/A
16	Lockwasher (4)	N/A	P44620	P44620	P44620	P44620	P44620	N/A
<b>Flush Piping</b>								
21	Nipple					DL0025		
21	Straight Tee					P75181		
21	Bushing, Hex 0.25 MNPTx0.12 FNPT					511849		
21	Hose	P2002542	P2002542	P2002542	P2002542	P2002543	P2002543	P2002543
21	Valve, Vent					P75255		
21	Elbow, Street 0.25	AC0530	AC0530	AC0530	AC0530	AC0530	AC0530	AC0530
21	Bushing, Hex 0.25 MNPTx0.12 FNPT					DF0003		

ITEM	DESCRIPTION (QTY)	1.5x1.5x7C	2x2x7B	2.5x2.5x7B	3x3x7C	4x4x7B (For use with 284TSC-365TSC)	5x5x7B (For use with 284TSC-365TSC)	6x6x7B (For use with 284TSC-365TSC)
1	Volute	P2002390	P2002392	P2002396	P2002400	P2002404	P2002412	P85337
	Pipe Plug (4)	P39040	P39040	P39040	P39040	P39040	P39040	P39040
2	Volute Gasket	P57700	P57700	P57700	P57700	P57700	P57700	P57700
3	Volute Capscrew (8)	P40020	P40020	P40020	P40020	P40020	P40020	P40020
4	Impeller (State Diameter) 7" Full Dia	P2000824	P2000840	P2000854	P2000850	P2000860	P2000921	P2001005
5	Bearing	P71378	P71378	P71378	P71378	P71379	P71379	P71379
9	Impeller Bolt	P52350	P52350	P52350	P52350	P13800	P13800	P13800
10	Impeller Lockwasher	J23874	J23874	J23874	J23874	J23875	J23875	J23875
11	Impeller Washer	P46380	P46380	P46380	P46380	P51230	P51230	P51230
12	Impeller Key	P49369	P49369	P49369	P49369	P49372	P49372	P49372
13	Shaft	P2002870	P2002870	P2002870	P2002870	P2002872	P2002872	P2002872
<b>Inside Seal</b>								
6	Mechanical Seal Kit	P75221	P75221	P75221	P75221	P75221	P75221	P75221
6	Cap	P75214	P75214	P75214	P75214	P75214	P75214	P75214
6	Capscrew (4)	H28100	H28100	H28100	H28100	H28100	H28100	H28100
6	Gasket	P85077	P85077	P85077	P85077	P85077	P85077	P85077
6	Snap Ring	P75218	P75218	P75218	P75218	P75218	P75218	P75218
6	Washer (4)	P44580	P44580	P44580	P44580	P44580	P44580	P44580
<b>Outside Seal</b>								
7	Mechanical Seal Kit	P75202	P75202	P75202	P75202	P75203	P75203	P75203
7	Capscrew (4)	H52100	H52100	H52100	H52100	H52100	H52100	H52100
7	Gland	P75204	P75204	P75204	P75204	P75204	P75204	P75204
7	Washer (4)	P44580	P44580	P44580	P44580	P44580	P44580	P44580
<b>Motor Frame 284TSC-286TSC</b>								
8	Motor Bracket (Inside Seal)	N/A	N/A	N/A	N/A	P2004696	P2004696	P2004696
8	Motor Bracket (Outside Seal)	N/A	N/A	N/A	N/A	P2004702	P2004702	P2004702
14	Coupling Key	N/A	N/A	N/A	N/A	P75183	P75183	P75183
15	Tapered Washer	N/A	N/A	N/A	N/A	P2002875	P2002875	P2002875
15	Tapered Washer Capscrew	N/A	N/A	N/A	N/A	510830	510830	510830
15	Tapered Washer Lockwasher	N/A	N/A	N/A	N/A	P16690	P16690	P16690
17	Setscrew Collar	N/A	N/A	N/A	N/A	P71373	P71373	P71373
17	Set Screw (3)	N/A	N/A	N/A	N/A	P71388	P71388	P71388
18	Motor Bracket Capscrew (4)	N/A	N/A	N/A	N/A	P13780	P13780	P13780
19	Motor Key	N/A	N/A	N/A	N/A	P75191	P75191	P75191
20	Guard	N/A	N/A	N/A	N/A	P2004734	P2004734	P2004734
20	Guard Screw (4)	N/A	N/A	N/A	N/A	P86085	P86085	P86085
16	Coupler, Split	N/A	N/A	N/A	N/A	P2002868	P2002868	P2002868
16	Capscrew (4)	N/A	N/A	N/A	N/A	P44250	P44250	P44250
16	Hex Nut (4)	N/A	N/A	N/A	N/A	P52380	P52380	P52380
16	Lockwasher (4)	N/A	N/A	N/A	N/A	P16690	P16690	P16690
<b>Motor Frame 324TSC-326TSC</b>								
8	Motor Bracket (Inside Seal)	N/A	N/A	N/A	N/A	P2004695	P2004695	P2004695
8	Motor Bracket (Outside Seal)	N/A	N/A	N/A	N/A	P2004701	P2004701	P2004701
14	Coupling Key	N/A	N/A	N/A	N/A	P75183	P75183	P75183
15	Tapered Washer	N/A	N/A	N/A	N/A	P2002875	P2002875	P2002875
15	Tapered Washer Capscrew	N/A	N/A	N/A	N/A	510830	510830	510830
15	Tapered Washer Lockwasher	N/A	N/A	N/A	N/A	P16690	P16690	P16690
17	Setscrew Collar	N/A	N/A	N/A	N/A	P71373	P71373	P71373
17	Set Screw (3)	N/A	N/A	N/A	N/A	P71388	P71388	P71388
18	Motor Bracket Capscrew (4)	N/A	N/A	N/A	N/A	DJ0132	DJ0132	DJ0132
19	Motor Key	N/A	N/A	N/A	N/A	P75192	P75192	P75192
20	Guard	N/A	N/A	N/A	N/A	P2004734	P2004734	P2004734
20	Guard Screw (4)	N/A	N/A	N/A	N/A	P86085	P86085	P86085
16	Coupler, Split	N/A	N/A	N/A	N/A	P2002869	P2002869	P2002869
16	Capscrew (4)	N/A	N/A	N/A	N/A	P44250	P44250	P44250
16	Hex Nut (4)	N/A	N/A	N/A	N/A	P52380	P52380	P52380
16	Lockwasher (4)	N/A	N/A	N/A	N/A	P16690	P16690	P16690
<b>Flush Piping</b>								
21	Nipple					DL0025		
21	Straight Tee					P75181		
21	Bushing, Hex 0.25 MNPTx0.12 FNPT					511849		
21	Hose	P2002542	P2002542	P2002542	P2002542	P2002543	P2002543	P2002543
21	Valve, Vent					P75255		
21	Elbow, Street 0.25	AC0530	AC0530	AC0530	AC0530	AC0530	AC0530	AC0530
21	Bushing, Hex 0.25 MNPTx0.12 FNPT					DF0003		

ITEM	DESCRIPTION (QTY)	1.5x1.5x7C	2x2x7B	2.5x2.5x7B	3x3x7C	4x4x7B (For use with 284TSC-365TSC)	5x5x7B (For use with 284TSC-365TSC)	6x6x7B (For use with 284TSC-365TSC)	
1	Volute	P2002390	P2002392	P2002396	P2002400	P2002404	P2002412	P85337	
	Pipe Plug (4)	P39040	P39040	P39040	P39040	P39040	P39040	P39040	
2	Volute Gasket	P57700	P57700	P57700	P57700	P57700	P57700	P57700	
3	Volute Capscrew (8)	P40020	P40020	P40020	P40020	P40020	P40020	P40020	
4	Impeller (State Diameter) 7" Full Dia	P2000824	P2000840	P2000854	P2000850	P2000860	P2000921	P2001005	
5	Bearing	P71378	P71378	P71378	P71378	P71379	P71379	P71379	
9	Impeller Bolt	P52350	P52350	P52350	P52350	P13800	P13800	P13800	
10	Impeller Lockwasher	J23874	J23874	J23874	J23874	J23875	J23875	J23875	
11	Impeller Washer	P46380	P46380	P46380	P46380	P51230	P51230	P51230	
12	Impeller Key	P49369	P49369	P49369	P49369	P49372	P49372	P49372	
13	Shaft	P2002870	P2002870	P2002870	P2002870	P2002872	P2002872	P2002872	
<b>Inside Seal</b>									
6	Mechanical Seal Kit	P75221	P75221	P75221	P75221	P75221	P75221	P75221	
6	Cap	P75214	P75214	P75214	P75214	P75214	P75214	P75214	
6	Capscrew (4)	H28100	H28100	H28100	H28100	H28100	H28100	H28100	
6	Gasket	P85077	P85077	P85077	P85077	P85077	P85077	P85077	
6	Snap Ring	P75218	P75218	P75218	P75218	P75218	P75218	P75218	
6	Washer (4)	P44580	P44580	P44580	P44580	P44580	P44580	P44580	
<b>Outside Seal</b>									
7	Mechanical Seal Kit	P75202	P75202	P75202	P75202	P75203	P75203	P75203	
7	Capscrew (4)	H52100	H52100	H52100	H52100	H52100	H52100	H52100	
7	Gland	P75204	P75204	P75204	P75204	P75204	P75204	P75204	
7	Washer (4)	P44580	P44580	P44580	P44580	P44580	P44580	P44580	
<b>Motor Frame 364TSC-365TSC</b>									
8	Motor Bracket (Inside Seal)	N/A	N/A	N/A	N/A	N/A	P2004695	P2004695	
8	Motor Bracket (Outside Seal)	N/A	N/A	N/A	N/A	N/A	P2004701	P2004701	
14	Coupling Key	N/A	N/A	N/A	N/A	N/A	P75183	P75183	
15	Tapered Washer	N/A	N/A	N/A	N/A	N/A	P2002875	P2002875	
15	Tapered Washer Capscrew	N/A	N/A	N/A	N/A	N/A	510830	510830	
15	Tapered Washer Lockwasher	N/A	N/A	N/A	N/A	N/A	P16690	P16690	
17	Setscrew Collar	N/A	N/A	N/A	N/A	N/A	P71373	P71373	
17	Set Screw (3)	N/A	N/A	N/A	N/A	N/A	P71388	P71388	
18	Motor Bracket Capscrew (4)	N/A	N/A	N/A	N/A	N/A	DJ0132	DJ0132	
19	Motor Key	N/A	N/A	N/A	N/A	N/A	P75192	P75192	
20	Guard	N/A	N/A	N/A	N/A	N/A	P2004734	P2004734	
20	Guard Screw (4)	N/A	N/A	N/A	N/A	N/A	P86085	P86085	
16	Coupler, Split	N/A	N/A	N/A	N/A	N/A	P2002869	P2002869	
16	Capscrew (4)	N/A	N/A	N/A	N/A	N/A	P44250	P44250	
16	Hext Nut (4)	N/A	N/A	N/A	N/A	N/A	P52380	P52380	
16	Lockwasher (4)	N/A	N/A	N/A	N/A	N/A	P16690	P16690	
<b>Flush Piping</b>									
21	Nipple							DL0025	
21	Straight Tee							P75181	
21	Bushing, Hex 0.25 MNPTx0.12 FNPT							511849	
21	Hose	P2002542	P2002542	P2002542	P2002542	P2002543	P2002543	P2002543	
21	Valve, Vent							P75255	
21	Elbow, Street 0.25	AC0530	AC0530	AC0530	AC0530	AC0530	AC0530	AC0530	
21	Bushing, Hex 0.25 MNPTx0.12 FNPT							DF0003	

ITEM	DESCRIPTION (QTY)	1.5x1.5x9.5B	2x2x9.5C (For use with 143TC-256TC)	2.5x2.5x9.5C (For use with 143TC-256TC)	3x3x9.5C	4x4x9.5B	5x5x9.5B	6x6x9.5B (For use with 213TC-256TC)	8x8x9.5B
1	Volute	P2002480	P2002394	P2002398	P2002482	P2002406	P2002414	P2002418	P2002422
	Pipe Plug (4)	P39040	P39040	P39040	P39040	P39040	P39040	P39040	P39040
2	Volute Gasket	P48690	P48690	P48690	P48690	P48690	P48690	P48690	P48690
3	Volute Capscrew (12)	P03470	P03470	P03470	P03470	P03470	P03470	P03470	P03470
4	Impeller (State Diameter) 9.5" Full Dia	P2001007	P2001011	P2000844	P2001745	P2000828	P2000864	P2000915	P2000870
5	Bearing	P71378	P71378	P71378	P71378	P71378	P71378	P71378	P71379
9	Impeller Bolt	P52350	P52350	P52350	P52350	P52350	P52350	P52350	P13800
10	Impeller Lockwasher	J23874	J23874	J23874	J23874	J23874	J23874	J23874	J23875
11	Impeller Washer	P46380	P46380	P46380	P46380	P46380	P46380	P46380	P51230
12	Impeller Key	P49369	P49369	P49369	P49369	P49369	P49369	P49369	P49372
13	Shaft	P2002870	P2002870	P2002870	P2002870	P2002870	P2002870	P2002870	P2002872
<b>Inside Seal</b>									
6	Mechanical Seal Kit	P75221	P75221	P75221	P75221	P75221	P75221	P75221	P75222
6	Cap	P75214	P75214	P75214	P75214	P75214	P75214	P75214	P75216
6	Capscrew (4)	H28100	H28100	H28100	H28100	H28100	H28100	H28100	H28100
6	Gasket	P85077	P85077	P85077	P85077	P85077	P85077	P85077	P75201
6	Snap Ring	P75218	P75218	P75218	P75218	P75218	P75218	P75218	P75219
6	Washer (4)	P44580	P44580	P44580	P44580	P44580	P44580	P44580	P44580
<b>Outside Seal</b>									
7	Mechanical Seal Kit	P75202	P75202	P75202	P75202	P75202	P75202	P75202	P75203
7	Capscrew (4)	H52100	H52100	H52100	H52100	H52100	H52100	H52100	H52100
7	Gland	P75204	P75204	P75204	P75204	P75204	P75204	P75204	P75205
7	Washer (4)	P44580	P44580	P44580	P44580	P44580	P44580	P44580	P44580
<b>Motor Frame 143TC-145TC</b>									
8	Motor Bracket (Inside Seal)	P2002493	P2002493	P2002493	P2002493	N/A	N/A	N/A	N/A
8	Motor Bracket (Outside Seal)	P2002494	P2002494	P2002494	P2002494	N/A	N/A	N/A	N/A
14	Coupling Key	P75182	P75182	P75182	P75182	N/A	N/A	N/A	N/A
15	Tapered Washer	P2002874	P2002874	P2002874	P2002874	N/A	N/A	N/A	N/A
15	Tapered Washer Capscrew	510830	510830	510830	510830	N/A	N/A	N/A	N/A
15	Tapered Washer Lockwasher	P16690	P16690	P16690	P16690	N/A	N/A	N/A	N/A
17	Setscrew Collar	P2002492	P2002492	P2002492	P2002492	N/A	N/A	N/A	N/A
17	Set Screw (3)	P71386	P71386	P71386	P71386	N/A	N/A	N/A	N/A
18	Motor Bracket Capscrew (4)	DJ0071	DJ0071	DJ0071	DJ0071	N/A	N/A	N/A	N/A
19	Motor Key	AC1642	AC1642	AC1642	AC1642	N/A	N/A	N/A	N/A
20	Guard	P71382	P71382	P71382	P71382	N/A	N/A	N/A	N/A
20	Guard Screw (4)	P86085	P86085	P86085	P86085	N/A	N/A	N/A	N/A
16	Coupler, Split	P2002487	P2002487	P2002487	P2002487	N/A	N/A	N/A	N/A
16	Capscrew (4)	DJ0042	DJ0042	DJ0042	DJ0042	N/A	N/A	N/A	N/A
16	Hex Nut (4)	P44190	P44190	P44190	P44190	N/A	N/A	N/A	N/A
16	Lockwasher (4)	P44620	P44620	P44620	P44620	N/A	N/A	N/A	N/A
<b>Motor Frame 182TC-184TC</b>									
8	Motor Bracket (Inside Seal)	P70905	P70905	P70905	P70905	P70905	N/A	N/A	N/A
8	Motor Bracket (Outside Seal)	P70906	P70906	P70906	P70906	P70906	N/A	N/A	N/A
14	Coupling Key	P75182	P75182	P75182	P75182	P75182	N/A	N/A	N/A
15	Tapered Washer	P2002874	P2002874	P2002874	P2002874	P2002874	N/A	N/A	N/A
15	Tapered Washer Capscrew	510830	510830	510830	510830	510830	N/A	N/A	N/A
15	Tapered Washer Lockwasher	P16690	P16690	P16690	P16690	P16690	N/A	N/A	N/A
17	Setscrew Collar	P70995	P70995	P70995	P70995	P70995	N/A	N/A	N/A
17	Set Screw (3)	P71386	P71386	P71386	P71386	P71386	N/A	N/A	N/A
18	Motor Bracket Capscrew (4)	P13780	P13780	P13780	P13780	P13780	N/A	N/A	N/A
19	Motor Key	P75189	P75189	P75189	P75189	P75189	N/A	N/A	N/A
20	Guard	P71382	P71382	P71382	P71382	P71382	N/A	N/A	N/A
20	Guard Screw (4)	P86085	P86085	P86085	P86085	P86085	N/A	N/A	N/A
16	Coupler, Split	P2002864	P2002864	P2002864	P2002864	P2002864	N/A	N/A	N/A
16	Capscrew (4)	DJ0042	DJ0042	DJ0042	DJ0042	DJ0042	N/A	N/A	N/A
16	Hex Nut (4)	P44190	P44190	P44190	P44190	P44190	N/A	N/A	N/A
16	Lockwasher (4)	P44620	P44620	P44620	P44620	P44620	N/A	N/A	N/A
<b>Flush Piping</b>									
21	Nipple	DL0025	DL0025	DL0025	DL0025	DL0025	DL0025	DL0025	DL0028
21	Straight Tee				P75181				
21	Bushing, Hex 0.25 MNPTx0.12 FNPT				511849				
21	Hose	P2002542	P2002542	P2002542	P2002542	P2002543	P2002543	P2002544	P2002544
21	Valve, Vent				P75255				
21	Elbow, Street 0.25	AC0530	AC0530	AC0530	AC0530	AC0530	AC0530	AC0530	AC0530
21	Bushing, Hex 0.25 MNPTx0.12 FNPT				DF0003				

ITEM	DESCRIPTION (QTY)	1.5x1.5x9.5B	2x2x9.5C (For use with 143TC-256TC)	2.5x2.5x9.5C (For use with 143TC-215TC)	3x3x9.5C	4x4x9.5B	5x5x9.5B	6x6x9.5B (For use with 213TC-256TC)	8x8x9.5B
1	Volute	P2002480	P2002394	P2002398	P2002482	P2002406	P2002414	P2002418	P2002422
	Pipe Plug (4)	P39040	P39040	P39040	P39040	P39040	P39040	P39040	P39040
2	Volute Gasket	P48690	P48690	P48690	P48690	P48690	P48690	P48690	P48690
3	Volute Capscrew (12)	P03470	P03470	P03470	P03470	P03470	P03470	P03470	P03470
4	Impeller (State Diameter) 9.5" Full Dia	P2001007	P2001011	P2000844	P2001745	P2000828	P2000864	P2000915	P2000870
5	Bearing	P71378	P71378	P71378	P71378	P71378	P71378	P71378	P71379
9	Impeller Bolt	P52350	P52350	P52350	P52350	P52350	P52350	P52350	P13800
10	Impeller Lockwasher	J23874	J23874	J23874	J23874	J23874	J23874	J23874	J23875
11	Impeller Washer	P46380	P46380	P46380	P46380	P46380	P46380	P46380	P51230
12	Impeller Key	P49369	P49369	P49369	P49369	P49369	P49369	P49369	P49372
13	Shaft	P2002870	P2002870	P2002870	P2002870	P2002870	P2002870	P2002870	P2002872
<b>Inside Seal</b>									
6	Mechanical Seal Kit	P75221	P75221	P75221	P75221	P75221	P75221	P75221	P75222
6	Cap	P75214	P75214	P75214	P75214	P75214	P75214	P75214	P75216
6	Capscrew (4)	H28100	H28100	H28100	H28100	H28100	H28100	H28100	H28100
6	Gasket	P85077	P85077	P85077	P85077	P85077	P85077	P85077	P75201
6	Snap Ring	P75218	P75218	P75218	P75218	P75218	P75218	P75218	P75219
6	Washer (4)	P44580	P44580	P44580	P44580	P44580	P44580	P44580	P44580
<b>Outside Seal</b>									
7	Mechanical Seal Kit	P75202	P75202	P75202	P75202	P75202	P75202	P75202	P75203
7	Capscrew (4)	H52100	H52100	H52100	H52100	H52100	H52100	H52100	H52100
7	Gland	P75204	P75204	P75204	P75204	P75204	P75204	P75204	P75205
7	Washer (4)	P44580	P44580	P44580	P44580	P44580	P44580	P44580	P44580
<b>Motor Frame 213TC-215TC</b>									
8	Motor Bracket (Inside Seal)	P70905	P70905	P70905	P70905	P70905	P70905	P70905	N/A
8	Motor Bracket (Outside Seal)	P70906	P70906	P70906	P70906	P70906	P70906	P70906	N/A
14	Coupling Key	P75182	P75182	P75182	P75182	P75182	P75182	P75182	N/A
15	Tapered Washer	P2002874	P2002874	P2002874	P2002874	P2002874	P2002874	P2002874	N/A
15	Tapered Washer Capscrew	510830	510830	510830	510830	510830	510830	510830	N/A
15	Tapered Washer Lockwasher	P16690	P16690	P16690	P16690	P16690	P16690	P16690	N/A
17	Setscrew Collar	P70996	P70996	P70996	P70996	P70996	P70996	P70996	N/A
17	Set Screw (3)	P71387	P71387	P71387	P71387	P71387	P71387	P71387	N/A
18	Motor Bracket Capscrew (4)	P13780	P13780	P13780	P13780	P13780	P13780	P13780	N/A
19	Motor Key	AC0523	AC0523	AC0523	AC0523	AC0523	AC0523	AC0523	N/A
20	Guard	P71382	P71382	P71382	P71382	P71382	P71382	P71382	N/A
20	Guard Screw (4)	P86085	P86085	P86085	P86085	P86085	P86085	P86085	N/A
16	Coupler, Split	P2002865	P2002865	P2002865	P2002865	P2002865	P2002865	P2002865	N/A
16	Capscrew (4)	P75206	P75206	P75206	P75206	P75206	P75206	P75206	N/A
16	Hex Nut (4)	P44190	P44190	P44190	P44190	P44190	P44190	P44190	N/A
16	Lockwasher (4)	P44620	P44620	P44620	P44620	P44620	P44620	P44620	N/A
<b>Motor Frame 254TC-256TC</b>									
8	Motor Bracket (Inside Seal) 900-1800 RPM	P70905	P70905	N/A	N/A	P70905	P70905	P70905	N/A
8	Motor Bracket (Inside Seal) 3400-3600 RPM		P2004693						
8	Motor Bracket (Outside Seal) 900-1800 RPM	P70906	P70906	N/A	N/A	P70906	P70906	P70906	N/A
8	Motor Bracket (Outside Seal) 3400-3600 RPM		P2004700						
14	Coupling Key	P75182	P75182	N/A	N/A	P75182	P75182	P75182	N/A
15	Tapered Washer	P2002874	P2002874	N/A	N/A	P2002874	P2002874	P2002874	N/A
15	Tapered Washer Capscrew	510830	510830	N/A	N/A	510830	510830	510830	N/A
15	Tapered Washer Lockwasher	P16690	P16690	N/A	N/A	P16690	P16690	P16690	N/A
17	Setscrew Collar	P70997	P70997	N/A	N/A	P70997	P70997	P70997	N/A
17	Set Screw (3)	P71387	P71387	N/A	N/A	P71387	P71387	P71387	N/A
18	Motor Bracket Capscrew (4)	P13780	P13780	N/A	N/A	P13780	P13780	P13780	N/A
19	Motor Key	P75190	P75190	N/A	N/A	P75190	P75190	P75190	N/A
20	Guard	P71382	P2004733	N/A	N/A	P71382	P71382	P71382	N/A
20	Guard Screw (4)	P86085	P86085	N/A	N/A	P86085	P86085	P86085	N/A
16	Coupler, Split	P2002866	P2002866	N/A	N/A	P2002866	P2002866	P2002866	N/A
16	Capscrew (4)	P75207	P75207	N/A	N/A	P75207	P75207	P75207	N/A
16	Hex Nut (4)	P44190	P44190	N/A	N/A	P44190	P44190	P44190	N/A
16	Lockwasher (4)	P44620	P44620	N/A	N/A	P44620	P44620	P44620	N/A
<b>Flush Piping</b>									
21	Nipple	DL0025	DL0025	DL0025	DL0025	DL0025	DL0025	DL0025	DL0028
21	Straight Tee								
21	Bushing, Hex 0.25 MNPTx0.12 FNPT								
21	Hose	P2002542	P2002542	P2002542	P2002542	P2002543	P2002543	P2002544	P2002544
21	Valve, Vent								
21	Elbow, Street 0.25	AC0530	AC0530	AC0530	AC0530	AC0530	AC0530	AC0530	AC0530
21	Bushing, Hex 0.25 MNPTx0.12 FNPT								

ITEM	DESCRIPTION (QTY)	1.5x1.5x9.5B	2x2x9.5C (For use with 284TSC-326TSC)	2.5x2.5x9.5C (For use with 284TSC-365TSC)	3x3x9.5C	4x4x9.5B	5x5x9.5B	6x6x9.5B (For use with 284TC-286TC)	8x8x9.5B
1	Volute	P2002480	P2002394	P2002398	P2002482	P2002406	P2002414	P2002418	P2002422
	Pipe Plug (4)	P39040	P39040	P39040	P39040	P39040	P39040	P39040	P39040
2	Volute Gasket	P48690	P48690	P48690	P48690	P48690	P48690	P48690	P48690
3	Volute Capscrew (12)	P03470	P03470	P03470	P03470	P03470	P03470	P03470	P03470
4	Impeller (State Diameter) 9.5" Full Dia	P2001007	P2001013	P2000846	P2001745	P2000828	P2000864	P2000915	P2000870
5	Bearing	P71378	P71379	P71379	P71378	P71378	P71378	P71379	P71379
9	Impeller Bolt	P52350	P13800	P13800	P52350	P52350	P52350	P13800	P13800
10	Impeller Lockwasher	J23874	J23875	J23875	J23874	J23874	J23874	J23875	J23875
11	Impeller Washer	P46380	P51230	P51230	P46380	P46380	P46380	P51230	P51230
12	Impeller Key	P49369	P49372	P49372	P49369	P49369	P49369	P49372	P49372
13	Shaft	P2002870	P2002872	P2002872	P2002870	P2002870	P2002870	P2002870	P2002872
<b>Inside Seal</b>									
6	Mechanical Seal Kit	P75221	P75222	P75222	P75221	P75221	P75221	P75222	P75222
6	Cap	P75214	P75216	P75216	P75214	P75214	P75214	P75216	P75216
6	Capscrew (4)	H28100	H28100	H28100	H28100	H28100	H28100	H28100	H28100
6	Gasket	P85077	P75201	P75201	P85077	P85077	P85077	P75201	P75201
6	Snap Ring	P75218	P75219	P75219	P75218	P75218	P75218	P75219	P75219
6	Washer (4)	P44580	P44580	P44580	P44580	P44580	P44580	P44580	P44580
<b>Outside Seal</b>									
7	Mechanical Seal Kit	P75202	P75203	P75203	P75202	P75202	P75202	P75203	P75203
7	Capscrew (4)	H52100	H52100	H52100	H52100	H52100	H52100	H52100	H52100
7	Gland	P75204	P75205	P75205	P75204	P75204	P75204	P75205	P75205
7	Washer (4)	P44580	P44580	P44580	P44580	P44580	P44580	P44580	P44580
<b>Motor Frame 284TC-286TC</b>									
8	Motor Bracket (Inside Seal)	N/A	N/A	N/A	N/A	N/A	N/A	P70914	P70914
8	Motor Bracket (Outside Seal)	N/A	N/A	N/A	N/A	N/A	N/A	P70915	P70915
14	Coupling Key	N/A	N/A	N/A	N/A	N/A	N/A	P75183	P75183
15	Tapered Washer	N/A	N/A	N/A	N/A	N/A	N/A	P2002875	P2002875
15	Tapered Washer Capscrew	N/A	N/A	N/A	N/A	N/A	N/A	H52100	H52100
15	Tapered Washer Lockwasher	N/A	N/A	N/A	N/A	N/A	N/A	P16690	P16690
17	Setscrew Collar	N/A	N/A	N/A	N/A	N/A	N/A	P71373	P71373
17	Set Screw (3)	N/A	N/A	N/A	N/A	N/A	N/A	P71388	P71388
18	Motor Bracket Capscrew (4)	N/A	N/A	N/A	N/A	N/A	N/A	P13780	P13780
19	Motor Key	N/A	N/A	N/A	N/A	N/A	N/A	P75191	P75191
20	Guard	N/A	N/A	N/A	N/A	N/A	N/A	P71384	P71384
20	Guard Screw (4)	N/A	N/A	N/A	N/A	N/A	N/A	P86085	P86085
16	Coupler, Split	N/A	N/A	N/A	N/A	N/A	N/A	P2002868	P2002868
16	Capscrew (4)	N/A	N/A	N/A	N/A	N/A	N/A	P44250	P44250
16	Hex Nut (4)	N/A	N/A	N/A	N/A	N/A	N/A	P52380	P52380
16	Lockwasher (4)	N/A	N/A	N/A	N/A	N/A	N/A	P16690	P16690
<b>Motor Frame 284TSC-286TSC</b>									
8	Motor Bracket (Inside Seal)	N/A	P2004690	P2004690	N/A	N/A	N/A	N/A	N/A
8	Motor Bracket (Outside Seal)	N/A	P2004698	P2004698	N/A	N/A	N/A	N/A	N/A
14	Coupling Key	N/A	P75183	P75183	N/A	N/A	N/A	N/A	N/A
15	Tapered Washer	N/A	P2002875	P2002875	N/A	N/A	N/A	N/A	N/A
15	Tapered Washer Capscrew	N/A	510830	510830	N/A	N/A	N/A	N/A	N/A
15	Tapered Washer Lockwasher	N/A	P16690	P16690	N/A	N/A	N/A	N/A	N/A
17	Setscrew Collar	N/A	P70997	P70997	N/A	N/A	N/A	N/A	N/A
17	Set Screw (3)	N/A	P71387	P71387	N/A	N/A	N/A	N/A	N/A
18	Motor Bracket Capscrew (4)	N/A	P13780	P13780	N/A	N/A	N/A	N/A	N/A
19	Motor Key	N/A	P75191	P75191	N/A	N/A	N/A	N/A	N/A
20	Guard	N/A	P71384	P71384	N/A	N/A	N/A	N/A	N/A
20	Guard Screw (4)	N/A	P86085	P86085	N/A	N/A	N/A	N/A	N/A
16	Coupler, Split	N/A	P2004697	P2004697	N/A	N/A	N/A	N/A	N/A
16	Capscrew (4)	N/A	P44250	P44250	N/A	N/A	N/A	N/A	N/A
16	Hex Nut (4)	N/A	P52380	P52380	N/A	N/A	N/A	N/A	N/A
16	Lockwasher (4)	N/A	P16690	P16690	N/A	N/A	N/A	N/A	N/A
<b>Flush Piping</b>									
21	Nipple	DL0025	DL0025	DL0025	DL0025	DL0025	DL0025	DL0028	DL0028
21	Straight Tee	P75181							
21	Bushing, Hex 0.25 MNPTx0.12 FNPT	511849							
21	Hose	P2002542	P2002542	P2002542	P2002542	P2002543	P2002543	P2002544	P2002544
21	Valve, Vent	P75255							
21	Elbow, Street 0.25	AC0530	AC0530	AC0530	AC0530	AC0530	AC0530	AC0530	AC0530
21	Bushing, Hex 0.25 MNPTx0.12 FNPT	DF0003							

ITEM	DESCRIPTION (QTY)	1.5x1.5x9.5B	2x2x9.5C (For use with 284TSC-326TSC)	2.5x2.5x9.5C (For use with 284TSC-365TSC)	3x3x9.5C	4x4x9.5B	5x5x9.5B	6x6x9.5B (For use with 284TC-286TC)	8x8x9.5B
1	Volute	P2002480	P2002394	P2002398	P2002482	P2002406	P2002414	P2002418	P2002422
	Pipe Plug (4)	P39040	P39040	P39040	P39040	P39040	P39040	P39040	P39040
2	Volute Gasket	P48690	P48690	P48690	P48690	P48690	P48690	P48690	P48690
3	Volute Capscrew (12)	P03470	P03470	P03470	P03470	P03470	P03470	P03470	P03470
4	Impeller (State Diameter) 9.5" Full Dia	P2001007	P2001013	P2000846	P2001745	P2000828	P2000864	P2000915	P2000870
5	Bearing	P71378	P71379	P71379	P71378	P71378	P71378	P71379	P71379
9	Impeller Bolt	P52350	P13800	P13800	P52350	P52350	P52350	P13800	P13800
10	Impeller Lockwasher	J23874	J23875	J23875	J23874	J23874	J23874	J23875	J23875
11	Impeller Washer	P46380	P51230	P51230	P46380	P46380	P46380	P51230	P51230
12	Impeller Key	P49369	P49372	P49372	P49369	P49369	P49369	P49372	P49372
13	Shaft	P2002870	P2002872	P2002872	P2002870	P2002870	P2002870	P2002870	P2002872
<b>Inside Seal</b>									
6	Mechanical Seal Kit	P75221	P75222	P75222	P75221	P75221	P75221	P75222	P75222
6	Cap	P75214	P75216	P75216	P75214	P75214	P75214	P75216	P75216
6	Capscrew (4)	H28100	H28100	H28100	H28100	H28100	H28100	H28100	H28100
6	Gasket	P85077	P75201	P75201	P85077	P85077	P85077	P75201	P75201
6	Snap Ring	P75218	P75219	P75219	P75218	P75218	P75218	P75219	P75219
6	Washer (4)	P44580	P44580	P44580	P44580	P44580	P44580	P44580	P44580
<b>Outside Seal</b>									
7	Mechanical Seal Kit	P75202	P75203	P75203	P75202	P75202	P75202	P75203	P75203
7	Capscrew (4)	H52100	H52100	H52100	H52100	H52100	H52100	H52100	H52100
7	Gland	P75204	P75205	P75205	P75204	P75204	P75204	P75205	P75205
7	Washer (4)	P44580	P44580	P44580	P44580	P44580	P44580	P44580	P44580
<b>Motor Frame 324TSC-326TSC</b>									
8	Motor Bracket (Inside Seal) 900-1800 RPM	N/A	P70916	P70916	N/A	N/A	N/A	N/A	P70916
8	Motor Bracket (Inside Seal) 3400-3600 RPM		P2004691	P2004691					
8	Motor Bracket (Outside Seal) 900-1800 RPM	N/A	P70917	P70917	N/A	N/A	N/A	N/A	P70917
8	Motor Bracket (Outside Seal) 3400-3600 RPM		P2004699	P2004699					
14	Coupling Key	N/A	P75183	P75183	N/A	N/A	N/A	N/A	P75183
15	Tapered Washer	N/A	P2002875	P2002875	N/A	N/A	N/A	N/A	P2002875
15	Tapered Washer Capscrew	N/A	510830	510830	N/A	N/A	N/A	N/A	H52100
15	Tapered Washer Lockwasher	N/A	P16690	P16690	N/A	N/A	N/A	N/A	P16690
17	Setscrew Collar	N/A	P71373	P71373	N/A	N/A	N/A	N/A	P71373
17	Set Screw (3)	N/A	P71388	P71388	N/A	N/A	N/A	N/A	P71388
18	Motor Bracket Capscrew (4)	N/A	DJ0132	DJ0132	N/A	N/A	N/A	N/A	DJ0132
19	Motor Key	N/A	P75192	P75192	N/A	N/A	N/A	N/A	P75192
20	Guard	N/A	P71384	P71384	N/A	N/A	N/A	N/A	P71384
20	Guard Screw (4)	N/A	P86085	P86085	N/A	N/A	N/A	N/A	P86085
16	Coupler, Split	N/A	P2002869	P2002869	N/A	N/A	N/A	N/A	P2002869
16	Capscrew (4)	N/A	P44250	P44250	N/A	N/A	N/A	N/A	P44250
16	Hex Nut (4)	N/A	P52380	P52380	N/A	N/A	N/A	N/A	P52380
16	Lockwasher (4)	N/A	P16690	P16690	N/A	N/A	N/A	N/A	P16690
<b>Motor Frame 364TSC-365TSC</b>									
8	Motor Bracket (Inside Seal) 900-1800 RPM	N/A	N/A	P70916	N/A	N/A	N/A	N/A	N/A
8	Motor Bracket (Inside Seal) 3400-3600 RPM			P2004691					
8	Motor Bracket (Outside Seal) 900-1800 RPM	N/A	N/A	P70917	N/A	N/A	N/A	N/A	N/A
8	Motor Bracket (Outside Seal) 3400-3600 RPM			P2004699					
14	Coupling Key	N/A	N/A	P75183	N/A	N/A	N/A	N/A	N/A
15	Tapered Washer	N/A	N/A	P2002875	N/A	N/A	N/A	N/A	N/A
15	Tapered Washer Capscrew	N/A	N/A	510830	N/A	N/A	N/A	N/A	N/A
15	Tapered Washer Lockwasher	N/A	N/A	P16690	N/A	N/A	N/A	N/A	N/A
17	Setscrew Collar	N/A	N/A	P71373	N/A	N/A	N/A	N/A	N/A
17	Set Screw (3)	N/A	N/A	P71388	N/A	N/A	N/A	N/A	N/A
18	Motor Bracket Capscrew (4)	N/A	N/A	DJ0132	N/A	N/A	N/A	N/A	N/A
19	Motor Key	N/A	N/A	P75192	N/A	N/A	N/A	N/A	N/A
20	Guard	N/A	N/A	P71384	N/A	N/A	N/A	N/A	N/A
20	Guard Screw (4)	N/A	N/A	P86085	N/A	N/A	N/A	N/A	N/A
16	Coupler, Split	N/A	N/A	P2002869	N/A	N/A	N/A	N/A	N/A
16	Capscrew (4)	N/A	N/A	P44250	N/A	N/A	N/A	N/A	N/A
16	Hex Nut (4)	N/A	N/A	P52380	N/A	N/A	N/A	N/A	N/A
16	Lockwasher (4)	N/A	N/A	P16690	N/A	N/A	N/A	N/A	N/A
<b>Flush Piping</b>									
21	Nipple	DL0025	DL0025	DL0025	DL0025	DL0025	DL0025	DL0028	DL0028
21	Straight Tee	P75181							
21	Bushing, Hex 0.25 MNPTx0.12 FNPT	511849							
21	Hose	P2002542	P2002542	P2002542	P2002542	P2002543	P2002543	P2002544	P2002544
21	Valve, Vent	P75255							
21	Elbow, Street 0.25	AC0530	AC0530	AC0530	AC0530	AC0530	AC0530	AC0530	AC0530
21	Bushing, Hex 0.25 MNPTx0.12 FNPT	DF0003							

ITEM	DESCRIPTION (QTY)	3x3x11B	4x4x11B (For use with 213TC-256TC)	5x5x11 (For use with 213TC-256TC)	6x6x11B	8x8x11B
1	Volute	P2002402	P2002408	P2004713	P2002420	P2002484
	Pipe Plug (4)	P39040	P39040	P39040	P39040	P39040
2	Volute Gasket	P80765	P80765	P80765	P80765	P80765
3	Volute Capscrew (16)	P13780	P13780	P13780	P13780	P13780
4	Impeller (State Diameter) 11" Full Dia	P2000874	P2001171	P2000896	P2001146	P2001741
5	Bearing	P71378	P71378	P71378	P71379	P71379
9	Impeller Bolt	P52350	P52350	P52350	P13800	P13800
10	Impeller Lockwasher	J23874	J23874	J23874	J23875	J23875
11	Impeller Washer	P46380	P46380	P46380	P51230	P51230
12	Impeller Key	P49369	P49369	P49369	P49372	P49372
13	Shaft	P2002870	P2002870	P2002870	P2002872	P2002872
<b>Inside Seal</b>						
6	Mechanical Seal Kit	P75221	P75221	P75221	P75222	P75222
6	Cap	P75214	P75214	P75214	P75216	P75216
6	Capscrew (4)	H28100	H28100	H28100	H28100	H28100
6	Gasket	P85077	P85077	P85077	P75201	P75201
6	Snap Ring	P75218	P75218	P75218	P75219	P75219
6	Washer (4)	P44580	P44580	P44580	P44580	P44580
<b>Outside Seal</b>						
7	Mechanical Seal Kit	P75202	P75202	P75202	P75203	P75203
7	Capscrew (4)	H52100	H52100	H52100	H52100	H52100
7	Gland	P75204	P75204	P75204	P75204	P75204
7	Washer (4)	P44580	P44580	P44580	P44580	P44580
<b>Motor Frame 213TC-215TC</b>						
8	Motor Bracket (Inside Seal)	P70893	P70893	P70893	N/A	N/A
8	Motor Bracket (Outside Seal)	P70894	P70894	P70894	N/A	N/A
14	Coupling Key	P75182	P75182	P75182	N/A	N/A
15	Tapered Washer	P2002874	P2002874	P2002874	N/A	N/A
15	Tapered Washer Capscrew	510830	510830	510830	N/A	N/A
15	Tapered Washer Lockwasher	P16690	P16690	P16690	N/A	N/A
17	Setscrew Collar	P70996	P70996	P70996	N/A	N/A
17	Set Screw (3)	P71387	P71387	P71387	N/A	N/A
18	Motor Bracket Capscrew (4)	P13780	P13780	P13780	N/A	N/A
19	Motor Key	AC0523	AC0523	AC0523	N/A	N/A
20	Guard	P71380	P71380	P71380	N/A	N/A
20	Guard Screw (4)	P86085	P86085	P86085	N/A	N/A
16	Coupler, Split	P2002865	P2002865	P2002865	N/A	N/A
16	Capscrew (4)	P75206	P75206	P75206	N/A	N/A
16	Hex Nut (4)	P44190	P44190	P44190	N/A	N/A
16	Lockwasher (4)	P44620	P44620	P44620	N/A	N/A
<b>Motor Frame 254TC-256TC</b>						
8	Motor Bracket (Inside Seal)	P70893	P70893	P70893	N/A	N/A
8	Motor Bracket (Outside Seal)	P70894	P70894	P70894	N/A	N/A
14	Coupling Key	P75182	P75182	P75182	N/A	N/A
15	Tapered Washer	P2002874	P2002874	P2002874	N/A	N/A
15	Tapered Washer Capscrew	510830	510830	510830	N/A	N/A
15	Tapered Washer Lockwasher	P16690	P16690	P16690	N/A	N/A
17	Setscrew Collar	P70997	P70997	P70997	N/A	N/A
17	Set Screw (3)	P71387	P71387	P71387	N/A	N/A
18	Motor Bracket Capscrew (4)	P13780	P13780	P13780	N/A	N/A
19	Motor Key	P75190	P75190	P75190	N/A	N/A
20	Guard	P71380	P71380	P71380	N/A	N/A
20	Guard Screw (4)	P86085	P86085	P86085	N/A	N/A
16	Coupler, Split	P2002866	P2002866	P2002866	N/A	N/A
16	Capscrew (4)	P75207	P75207	P75207	N/A	N/A
16	Hex Nut (4)	P44190	P44190	P44190	N/A	N/A
16	Lockwasher (4)	P44620	P44620	P44620	N/A	N/A
<b>Flush Piping</b>						
21	Nipple	DL0025	DL0025	DL0025	DL0028	DL0028
21	Straight Tee			P75181		
21	Bushing, Hex 0.25 MNPTx0.12 FNPT			511849		
21	Hose	P2002543	P2002544	P2002544	P2002544	P2002544
21	Valve, Vent			P75255		
21	Elbow, Street 0.25	AC0530	AC0530	AC0530	AC0530	AC0530
21	Bushing, Hex 0.25 MNPTx0.12 FNPT			DF0003		

ITEM	DESCRIPTION (QTY)	3x3x11B	4x4x11B (For use with 284TC-286TC)	5x5x11 (For use with 284TC-286TC)	6x6x11B	8x8x11B
1	Volute	P2002402	P2002408	P2004713	P2002420	P2002484
	Pipe Plug (4)	P39040	P39040	P39040	P39040	P39040
2	Volute Gasket	P80765	P80765	P80765	P80765	P80765
3	Volute Capscrew (16)	P13780	P13780	P13780	P13780	P13780
4	Impeller (State Diameter) 11" Full Dia	P2000874	P2001173	P2000898	P2001146	P2001741
5	Bearing	P71378	P71379	P71379	P71379	P71379
9	Impeller Bolt	P52350	P13800	P13800	P13800	P13800
10	Impeller Lockwasher	J23874	J23875	J23875	J23875	J23875
11	Impeller Washer	P46380	P51230	P51230	P51230	P51230
12	Impeller Key	P49369	P49372	P49372	P49372	P49372
13	Shaft	P2002870	P2002872	P2002872	P2002872	P2002872
<b>Inside Seal</b>						
6	Mechanical Seal Kit	P75221	P75222	P75222	P75222	P75222
6	Cap	P75214	P75216	P75216	P75216	P75216
6	Capscrew (4)	H28100	H28100	H28100	H28100	H28100
6	Gasket	P85077	P75201	P75201	P75201	P75201
6	Snap Ring	P75218	P75219	P75219	P75219	P75219
6	Washer (4)	P44580	P44580	P44580	P44580	P44580
<b>Outside Seal</b>						
7	Mechanical Seal Kit	P75202	P75203	P75203	P75203	P75203
7	Capscrew (4)	H52100	H52100	H52100	H52100	H52100
7	Gland	P75204	P75205	P75205	P75204	P75204
7	Washer (4)	P44580	P44580	P44580	P44580	P44580
<b>Motor Frame 284TC-286TC</b>						
8	Motor Bracket (Inside Seal)	N/A	P70937	P70937	P70937	P70937
8	Motor Bracket (Outside Seal)	N/A	P70938	P70938	P70938	P70938
14	Coupling Key	N/A	P75183	P75183	P75183	P75183
15	Tapered Washer	N/A	P2002875	P2002875	P2002875	P2002875
15	Tapered Washer Capscrew	N/A	510830	510830	510830	510830
15	Tapered Washer Lockwasher	N/A	P16690	P16690	P16690	P16690
17	Setscrew Collar	N/A	P71373	P71373	P71373	P71373
17	Set Screw (3)	N/A	P71388	P71388	P71388	P71388
18	Motor Bracket Capscrew (4)	N/A	P13780	P13780	P13780	P13780
19	Motor Key	N/A	P75191	P75191	P75191	P75191
20	Guard	N/A	P71381	P71381	P71381	P71381
20	Guard Screw (4)	N/A	P86085	P86085	P86085	P86085
16	Coupler, Split	N/A	P2002868	P2002868	P2002868	P2002868
16	Capscrew (4)	N/A	P44250	P44250	P44250	P44250
16	Hex Nut (4)	N/A	P52380	P52380	P52380	P52380
16	Lockwasher (4)	N/A	P16690	P16690	P16690	P16690
<b>Motor Frame 324TSC-364TSC</b>						
8	Motor Bracket (Inside Seal)	N/A	N/A	N/A	P70939	P70939
8	Motor Bracket (Outside Seal)	N/A	N/A	N/A	P70940	P70940
14	Coupling Key	N/A	N/A	N/A	P75183	P75183
15	Tapered Washer	N/A	N/A	N/A	P2002875	P2002875
15	Tapered Washer Capscrew	N/A	N/A	N/A	510830	510830
15	Tapered Washer Lockwasher	N/A	N/A	N/A	P16690	P16690
17	Setscrew Collar	N/A	N/A	N/A	P71373	P71373
17	Set Screw (3)	N/A	N/A	N/A	P71388	P71388
18	Motor Bracket Capscrew (4)	N/A	N/A	N/A	DJ0132	DJ0132
19	Motor Key	N/A	N/A	N/A	P75192	P75192
20	Guard	N/A	N/A	N/A	P71381	P71381
20	Guard Screw (4)	N/A	N/A	N/A	P86085	P86085
16	Coupler, Split	N/A	N/A	N/A	P2002869	P2002869
16	Capscrew (4)	N/A	N/A	N/A	P44250	P44250
16	Hex Nut (4)	N/A	N/A	N/A	P52380	P52380
16	Lockwasher (4)	N/A	N/A	N/A	P16690	P16690
<b>Flush Piping</b>						
21	Nipple	DL0025	DL0025	DL0025	DL0028	DL0028
21	Straight Tee			P75181		
21	Bushing, Hex 0.25 MNPTx0.12 FNPT			511849		
21	Hose	P2002543	P2002544	P2002544	P2002544	P2002544
21	Valve, Vent			P75255		
21	Elbow, Street 0.25	AC0530	AC0530	AC0530	AC0530	AC0530
21	Bushing, Hex 0.25 MNPTx0.12 FNPT			DF0003		

ITEM	DESCRIPTION (QTY)	3x3x13.5	4x4x13.5 (For use with 254TC-286TC)	5x5x13.5 (For use with 254TC-286TC)	6x6x13.5	8x8x13.5B (For use with 254TC-286TC)
1	Volute	P2004705	P2002410	P2002416	P2004721	P86236
	Pipe Plug 1/4	P39040 (4)	P39040 (4)	P39040 (4)	P39040 (4)	P39040 (2)
	Pipe Plug 1/2 (3)	N/A	N/A	N/A	N/A	H47900
2	Volute Gasket	P80767	P80767	P80767	P80767	P80767
3	Volute Capscrew (16)	P13780	P13780	P13780	P13780	P13780
4	Impeller (State Diameter) 11" Full Dia	P2000892	P2000888	P2000884	P2000880	P2001742
5	Bearing	P71379	P71379	P71379	P71379	P71379
9	Impeller Bolt	P13800	P13800	P13800	P13800	P13800
10	Impeller Lockwasher	J23875	J23875	J23875	J23875	J23875
11	Impeller Washer	P51230	P51230	P51230	P51230	P51230
12	Impeller Key	P49372	P49372	P49372	P49372	P49372
13	Shaft	P2002871	P2002871	P2002871	P2002871	P2002870
<b>Inside Seal</b>						
6	Mechanical Seal Kit	P75222	P75222	P75222	P75222	P75221
6	Cap	P75216	P75216	P75216	P75216	P75214
6	Capscrew (4)	H28100	H28100	H28100	H28100	H28100
6	Gasket	P75201	P75201	P75201	P75201	P85077
6	Snap Ring	P75219	P75219	P75219	P75219	P75218
6	Washer (4)	P44580	P44580	P44580	P44580	P44580
<b>Outside Seal</b>						
7	Mechanical Seal Kit	P75203	P75203	P75203	P75203	P75202
7	Capscrew (4)	H52100	H52100	H52100	H52100	H52100
7	Gland	P75205	P75205	P75205	P75205	P75204
7	Washer (4)	P44580	P44580	P44580	P44580	P44580
<b>Motor Frame 213TC-215TC</b>						
8	Motor Bracket (Inside Seal)	P2002530	N/A	N/A	N/A	N/A
8	Motor Bracket (Outside Seal)	P2002531	N/A	N/A	N/A	N/A
14	Coupling Key	P75182	N/A	N/A	N/A	N/A
15	Tapered Washer	P2002875	N/A	N/A	N/A	N/A
15	Tapered Washer Capscrew	510830	N/A	N/A	N/A	N/A
15	Tapered Washer Lockwasher	P16690	N/A	N/A	N/A	N/A
17	Setscrew Collar	P70996	N/A	N/A	N/A	N/A
17	Set Screw (3)	P71387	N/A	N/A	N/A	N/A
18	Motor Bracket Capscrew (4)	P13780	N/A	N/A	N/A	N/A
19	Motor Key	AC0523	N/A	N/A	N/A	N/A
20	Guard	P75410	N/A	N/A	N/A	N/A
20	Guard Screw (4)	P86085	N/A	N/A	N/A	N/A
16	Coupler, Split	P2004727	N/A	N/A	N/A	N/A
16	Capscrew (4)	P75207	N/A	N/A	N/A	N/A
16	Hex Nut (4)	P44190	N/A	N/A	N/A	N/A
16	Lockwasher (4)	P44620	N/A	N/A	N/A	N/A
<b>Flush Piping</b>						
21	Nipple			DL0028		
21	Straight Tee			P75181		
21	Bushing, Hex 0.25 MNPTx0.12 FNPT			511849		
21	Hose	P2002544	P2002544	P2002544	P2002544	P2002545
21	Valve, Vent			P75255		
21	Elbow, Street 0.25	AC0530	AC0530	AC0530	AC0530	AC0530
21	Bushing, Hex 0.25 MNPTx0.12 FNPT			DF0003		

ITEM	DESCRIPTION (QTY)	3x3x13.5	4x4x13.5 (For use with 254TC-286TC)	5x5x13.5 (For use with 254TC-286TC)	6x6x13.5	8x8x13.5B (For use with 254TC-256TC)	8x8x13.5B (For use with 284TC-286TC)
1	Volute	P2004705	P2002410	P2002416	P2004721	P86236	P86236
	Pipe Plug 1/4	P39040 (4)	P39040 (4)	P39040 (4)	P39040 (4)	P39040 (2)	P39040 (2)
	Pipe Plug 1/2 (3)	N/A	N/A	N/A	N/A	H47900	H47900
2	Volute Gasket	P80767	P80767	P80767	P80767	P80767	P80767
3	Volute Capscrew (16)	P13780	P13780	P13780	P13780	P13780	P13780
4	Impeller (State Diameter) 13.5" Full Dia	P2000892	P2000888	P2000884	P2000880	P2001742	P2001742
5	Bearing	P71379	P71379	P71379	P71379	P71379	P71379
9	Impeller Bolt	P13800	P13800	P13800	P13800	P13800	P13800
10	Impeller Lockwasher	J23875	J23875	J23875	J23875	J23875	J23875
11	Impeller Washer	P51230	P51230	P51230	P51230	P51230	P51230
12	Impeller Key	P49372	P49372	P49372	P49372	P49372	P49372
13	Shaft	P2002871	P2002871	P2002871	P2002871	P2002870	P2002871
<b>Inside Seal</b>							
6	Mechanical Seal Kit	P75222	P75222	P75222	P75222	P75221	P75222
6	Cap	P75216	P75216	P75216	P75216	P75214	P75216
6	Capscrew (4)	H28100	H28100	H28100	H28100	H28100	H28100
6	Gasket	P75201	P75201	P75201	P75201	P85077	P75201
6	Snap Ring	P75219	P75219	P75219	P75219	P75218	P75219
6	Washer (4)	P44580	P44580	P44580	P44580	P44580	P44580
<b>Outside Seal</b>							
7	Mechanical Seal Kit	P75203	P75203	P75203	P75203	P75202	P75203
7	Capscrew (4)	H52100	H52100	H52100	H52100	H52100	H52100
7	Gland	P75205	P75205	P75205	P75205	P75204	P75205
7	Washer (4)	P44580	P44580	P44580	P44580	P44580	P44580
<b>Motor Frame 254TC-256TC</b>							
8	Motor Bracket (Inside Seal)	P2002530	P2002530	P2002530	P2002530	P2002530	N/A
8	Motor Bracket (Outside Seal)	P2002531	P2002531	P2002531	P2002531	P2002531	N/A
14	Coupling Key	P75182	P75182	P75182	P75182	P75182	N/A
15	Tapered Washer	P2002875	P2002875	P2002875	P2002875	P2002875	N/A
15	Tapered Washer Capscrew	510830	510830	510830	510830	510830	N/A
15	Tapered Washer Lockwasher	P16690	P16690	P16690	P16690	P16690	N/A
17	Setscrew Collar	P70997	P70997	P70997	P70997	P70997	N/A
17	Set Screw (3)	P71387	P71387	P71387	P71387	P71387	N/A
18	Motor Bracket Capscrew (4)	P13780	P13780	P13780	P13780	P13780	N/A
19	Motor Key	P75190	P75190	P75190	P75190	P75190	N/A
20	Guard	P75410	P75410	P75410	P75410	P75410	N/A
20	Guard Screw (4)	P86085	P86085	P86085	P75190	P86085	N/A
16	Coupler, Split	P2002867	P2002867	P2002867	P2002867	P2002867	N/A
16	Capscrew (4)	P75207	P75207	P75207	P75207	P75207	N/A
16	Hex Nut (4)	P44190	P44190	P44190	P44190	P44190	N/A
16	Lockwasher (4)	P44620	P44620	P44620	P44620	P44620	N/A
<b>Motor Frame 284TC-286TC</b>							
8	Motor Bracket (Inside Seal)	P2002513	P2002513	P2002513	P2002513	N/A	P2002513
8	Motor Bracket (Outside Seal)	P2002514	P2002514	P2002514	P2002514	N/A	P2002514
14	Coupling Key	P75183	P75183	P75183	P75183	N/A	P75183
15	Tapered Washer	P2002875	P2002875	P2002875	P2002875	N/A	P2002875
15	Tapered Washer Capscrew	510830	510830	510830	510830	N/A	510830
15	Tapered Washer Lockwasher	P16690	P16690	P16690	P16690	N/A	P16690
17	Setscrew Collar	P71373	P71373	P71373	P71373	N/A	P71373
17	Set Screw (3)	P71388	P71388	P71388	P71388	N/A	P71388
18	Motor Bracket Capscrew (4)	P13780	P13780	P13780	P13780	N/A	P13780
19	Motor Key	P75191	P75191	P75191	P75191	N/A	P75191
20	Guard	P75410	P75410	P75410	P75410	N/A	P75410
20	Guard Screw (4)	P86085	P86085	P86085	P86085	N/A	P86085
16	Coupler, Split	P2002868	P2002868	P2002868	P2002868	N/A	P2002868
16	Capscrew (4)	P44250	P44250	P44250	P44250	N/A	P44250
16	Hex Nut (4)	P52380	P52380	P52380	P52380	N/A	P52380
16	Lockwasher (4)	P16690	P16690	P16690	P16690	N/A	P16690
<b>Flush Piping</b>							
21	Nipple				DL0028		
21	Straight Tee				P75181		
21	Bushing, Hex 0.25 MNPTx0.12 FNPT				511849		
21	Bushing 3/4 x 1/4	N/A	N/A	N/A	N/A	N/A	DF0009
21	Hose	P2002544	P2002544	P2002544	P2002544	P2002545	P2002545
21	Valve, Vent				P75255		
21	Elbow, Street 0.25	AC0530	AC0530	AC0530	AC0530	AC0530	AC0530
21	Bushing, Hex 0.25 MNPTx0.12 FNPT				DF0003		

ITEM	DESCRIPTION (QTY)	3x3x13.5	4x4x13.5 (For use with 324TSC-365TSC)	5x5x13.5 (For use with 324TSC-365TSC)	6x6x13.5	8x8x13.5B (For use with 324TSC-365TSC)
1	Volute	P2004705	P2002410	P2002416	P2004721	P86236
	Pipe Plug 1/4	P39040 (4)	P39040 (4)	P39040 (4)	P39040 (4)	P39040 (2)
	Pipe Plug 1/2 (3)	N/A	N/A	N/A	N/A	H47900
2	Volute Gasket	P80767	P80767	P80767	P80767	P80767
3	Volute Capscrew (16)	P13780	P13780	P13780	P13780	P13780
4	Impeller (State Diameter) 13.5" Full Dia	P2000892	P2000888	P2000884	P2000880	P2001742
5	Bearing	P71379	P71379	P71379	P71379	P71379
9	Impeller Bolt	P13800	P13800	P13800	P13800	P13800
10	Impeller Lockwasher	J23875	J23875	J23875	J23875	J23875
11	Impeller Washer	P51230	P51230	P51230	P51230	P51230
12	Impeller Key	P49372	P49372	P49372	P49372	P49372
13	Shaft	P2002871	P2002871	P2002871	P2002871	P2002871
<b>Inside Seal</b>						
6	Mechanical Seal Kit	P75222	P75222	P75222	P75222	P75222
6	Cap	P75216	P75216	P75216	P75216	P75216
6	Capscrew (4)	H28100	H28100	H28100	H28100	H28100
6	Gasket	P75201	P75201	P75201	P75201	P75201
6	Snap Ring	P75219	P75219	P75219	P75219	P75219
6	Washer (4)	P44580	P44580	P44580	P44580	P44580
<b>Outside Seal</b>						
7	Mechanical Seal Kit	P75203	P75203	P75203	P75203	P75203
7	Capscrew (4)	H52100	H52100	H52100	H52100	H52100
7	Gland	P75205	P75205	P75205	P75205	P75205
7	Washer (4)	P44580	P44580	P44580	P44580	P44580
<b>Motor Frame 324TSC-326TSC</b>						
8	Motor Bracket (Inside Seal)	N/A	P2002515	P2002515	P2002515	P2002515
8	Motor Bracket (Outside Seal)	N/A	P2002516	P2002516	P2002516	P2002516
14	Coupling Key	N/A	P75183	P75183	P75183	P75183
15	Tapered Washer	N/A	P2002875	P2002875	P2002875	P2002875
15	Tapered Washer Capscrew	N/A	510830	510830	510830	510830
15	Tapered Washer Lockwasher	N/A	P16690	P16690	P16690	P16690
17	Setscrew Collar	N/A	P71373	P71373	P71373	P71373
17	Set Screw (3)	N/A	P71388	P71388	P71388	P71388
18	Motor Bracket Capscrew (4)	N/A	DJ0132	DJ0132	DJ0132	DJ0132
19	Motor Key	N/A	P75192	P75192	P75192	P75192
20	Guard	N/A	P75410	P75410	P75410	P75410
20	Guard Screw (4)	N/A	P86085	P86085	P86085	P86085
16	Coupler, Split	N/A	P2002869	P2002869	P2002869	P2002869
16	Capscrew (4)	N/A	P44250	P44250	P44250	P44250
16	Hex Nut (4)	N/A	P52380	P52380	P52380	P52380
16	Lockwasher (4)	N/A	P16690	P16690	P16690	P16690
<b>Motor Frame 364TSC-365TSC</b>						
8	Motor Bracket (Inside Seal)	N/A	P2002515	P2002515	P2002515	P2002515
8	Motor Bracket (Outside Seal)	N/A	P2002516	P2002516	P2002516	P2002516
14	Coupling Key	N/A	P75183	P75183	P75183	P75183
15	Tapered Washer	N/A	P2002875	P2002875	P2002875	P2002875
15	Tapered Washer Capscrew	N/A	510830	510830	510830	510830
15	Tapered Washer Lockwasher	N/A	P16690	P16690	P16690	P16690
17	Setscrew Collar	N/A	P71373	P71373	P71373	P71373
17	Set Screw (3)	N/A	P71388	P71388	P71388	P71388
18	Motor Bracket Capscrew (4)	N/A	DJ0132	DJ0132	DJ0132	DJ0132
19	Motor Key	N/A	P75192	P75192	P75192	P75192
20	Guard	N/A	P75410	P75410	P75410	P75410
20	Guard Screw (4)	N/A	P86085	P86085	P86085	P86085
16	Coupler, Split	N/A	P2002869	P2002869	P2002869	P2002869
16	Capscrew (4)	N/A	P44250	P44250	P44250	P44250
16	Hex Nut (4)	N/A	P52380	P52380	P52380	P52380
16	Lockwasher (4)	N/A	P16690	P16690	P16690	P16690
<b>Flush Piping</b>						
21	Nipple			DL0028		
21	Straight Tee			P75181		
21	Bushing, Hex 0.25 MNPTx0.12 FNPT			511849		
21	Bushing 3/4 x 1/4	N/A	N/A	N/A	N/A	DF0009
21	Hose	P2002544	P2002544	P2002544	P2002544	P2002545
21	Valve, Vent			P75255		
21	Elbow, Street 0.25	AC0530	AC0530	AC0530	AC0530	AC0530
21	Bushing, Hex 0.25 MNPTx0.12 FNPT			DF0003		

ITEM	DESCRIPTION (QTY)	3x3x13.5	4x4x13.5 (For use with 324TSC-365TSC)	5x5x13.5 (For use with 324TSC-365TSC)	6x6x13.5	8x8x13.5B (For use with 404TSC-445TSC)
1	Volute	P2004705	P2002410	P2002416	P2004721	P86236
	Pipe Plug 1/4	P39040 (4)	P39040 (4)	P39040 (4)	P39040 (4)	P39040 (2)
	Pipe Plug 1/2 (3)	N/A	N/A	N/A	N/A	H47900
2	Volute Gasket	P80767	P80767	P80767	P80767	P80767
3	Volute Capscrew (16)	P13780	P13780	P13780	P13780	P13780
4	Impeller (State Diameter) 13.5" Full Dia	P2000892	P2000888	P2000884	P2000880	P2001742
5	Bearing	P71379	P71379	P71379	P71379	P71379
9	Impeller Bolt	P13800	P13800	P13800	P13800	P13800
10	Impeller Lockwasher	J23875	J23875	J23875	J23875	J23875
11	Impeller Washer	P51230	P51230	P51230	P51230	P51230
12	Impeller Key	P49372	P49372	P49372	P49372	P49372
13	Shaft	P2002871	P2002871	P2002871	P2002871	P2002873
<b>Inside Seal</b>						
6	Mechanical Seal Kit	P75222	P75222	P75222	P75222	P75396
6	Cap	P75216	P75216	P75216	P75216	P75386
6	Capscrew (4)	H28100	H28100	H28100	H28100	H28100
6	Gasket	P75201	P75201	P75201	P75201	P75412
6	Snap Ring	P75219	P75219	P75219	P75219	P75404
6	Washer (4)	P44580	P44580	P44580	P44580	P44580
<b>Outside Seal</b>						
7	Mechanical Seal Kit	P75203	P75203	P75203	P75203	P75400
7	Capscrew (4)	H52100	H52100	H52100	H52100	H52100
7	Gland	P75205	P75205	P75205	P75205	P75413
7	Washer (4)	P44580	P44580	P44580	P44580	P44580
<b>Motor Frame 404TSC-405TSC</b>						
8	Motor Bracket (Inside Seal)	N/A	N/A	N/A	N/A	P2002519
8	Motor Bracket (Outside Seal)	N/A	N/A	N/A	N/A	P2002520
14	Coupling Key	N/A	N/A	N/A	N/A	P75407
15	Tapered Washer	N/A	N/A	N/A	N/A	P2002876
15	Tapered Washer Capscrew	N/A	N/A	N/A	N/A	K04500
15	Tapered Washer Lockwasher	N/A	N/A	N/A	N/A	P11200
17	Setscrew Collar	N/A	N/A	N/A	N/A	P2002523
17	Set Screw (3)	N/A	N/A	N/A	N/A	P71388
18	Motor Bracket Capscrew (4)	N/A	N/A	N/A	N/A	P13830
19	Motor Key	N/A	N/A	N/A	N/A	P75192
20	Guard	N/A	N/A	N/A	N/A	P2002537
20	Guard Screw (4)	N/A	N/A	N/A	N/A	P86085
16	Coupler, Split	N/A	N/A	N/A	N/A	P2002522
16	Capscrew (6)	N/A	N/A	N/A	N/A	DJ0083
16	Hex Nut (6)	N/A	N/A	N/A	N/A	P52380
16	Lockwasher (6)	N/A	N/A	N/A	N/A	P16690
<b>Motor Frame 444TSC-445TSC</b>						
8	Motor Bracket (Inside Seal)	N/A	N/A	N/A	N/A	P2002519
8	Motor Bracket (Outside Seal)	N/A	N/A	N/A	N/A	P2002520
8	Motor Bracket Spacer	N/A	N/A	N/A	N/A	P2002526
14	Coupling Key	N/A	N/A	N/A	N/A	P75407
15	Tapered Washer	N/A	N/A	N/A	N/A	P2002876
15	Tapered Washer Capscrew	N/A	N/A	N/A	N/A	K04500
15	Tapered Washer Lockwasher	N/A	N/A	N/A	N/A	P11200
17	Setscrew Collar	N/A	N/A	N/A	N/A	P2002525
17	Set Screw (3)	N/A	N/A	N/A	N/A	P71388
18	Motor Bracket Capscrew (4)	N/A	N/A	N/A	N/A	P13830
19	Motor Key	N/A	N/A	N/A	N/A	J93451
20	Guard	N/A	N/A	N/A	N/A	P2002537
20	Guard Screw (4)	N/A	N/A	N/A	N/A	P86085
16	Coupler, Split	N/A	N/A	N/A	N/A	P2002524
16	Capscrew (6)	N/A	N/A	N/A	N/A	DJ0083
16	Hex Nut (6)	N/A	N/A	N/A	N/A	P52380
16	Lockwasher (6)	N/A	N/A	N/A	N/A	P16690
<b>Flush Piping</b>						
21	Nipple			DL0028		
21	Straight Tee			P75181		
21	Bushing, Hex 0.25 MNPTx0.12 FNPT			511849		
21	Bushing 3/4 x 1/4	N/A	N/A	N/A	N/A	DF0009
21	Hose	P2002544	P2002544	P2002544	P2002544	P2002545
21	Valve, Vent			P75255		
21	Elbow, Street 0.25	AC0530	AC0530	AC0530	AC0530	AC0530
21	Bushing, Hex 0.25 MNPTx0.12 FNPT			DF0003		

# 10x10x13.5

ITEM	DESCRIPTION	QTY	PART				
			(for TC motors: 1-5/8" shaft)			(for HP motors: 1-5/8" and 2-1/8" shaft)	
<b>COMMON PARTS</b>			<b>284-286TC</b>	<b>324-326TSC</b>	<b>364TSC</b>	<b>365HP</b>	<b>404-445HP</b>
1	Volute	1	P86130			P86130	
	Pipe Plug	5	P39040			P39040	
2	Volute Gasket	1	P80767			P80767	
3	Volute Capscrew	16	P13780			P13780	
4	Impeller	1	P75383			P75382	
5	Bearing	1	P71379			P75385	
9	Impeller Bolt	1	P13800			J92019	
10	Impeller Lockwasher	1	J23875			J23876	
11	Impeller Washer	1	P51230			P46384	
12	Impeller Key	1	P49372			P75406	
13	Shaft	1	P75213			P75384	
<b>MECHANICAL SEAL PARTS</b>							
	<b>Inside Seal:</b>						
6	Mechanical Seal Kit	1	P75222			P75396	
6	Cap	1	P75216			P75386	
6	Capscrew	4	DJ0080			DJ0080	
6	Gasket	1	P75201			P75412	
6	Snap Ring	1	P75219			P75404	
6	Washer	4	P44580			P44580	
	<b>Outside Seal:</b>						
7	Mechanical Seal Kit	1	P75203			P75400	
7	Capscrew	4	H52100			H52100	
7	Gland	1	P75205			P75413	
7	Washer	4	P44580			P44580	
<b>MOTOR BRACKET</b>			<b>284-286TC</b>	<b>324-326TSC</b>	<b>364TSC</b>	<b>365HP</b>	<b>404-445HP</b>
8	Motor Bracket (Inside Seal)	1	P75247	P75250	P75250	P86111	P86111
8	Motor Bracket (Outside Seal)	1	P75249	P75251	P75251	P86113	P86113
14	Coupler Key	1	P75183	P75183	P75183	P75407	P75407
15	Collar Ring - Pump Shaft	1	440502	440502	440502	P75388	P75388
15	Collar Ring - Motor	1	NA	NA	NA	440502	P75388
17	Setscrew Collar	1	P71373	P71373	P71373	NA	NA
17	Set Screw	3	P71388	P71388	P71388	NA	NA
18	Motor Bracket Capscrew	4 / 8	P13780 (4)	DJ0132 (4)	DJ0132 (8)	A37900 (4)	A37900 (4)
18A	Motor Bracket Lock Washer	4	NA	NA	NA	P46420 (4)	P46420 (4)
18B	Motor Bracket Nut	4	NA	NA	NA	F15600 (4)	F15600 (4)
19	Motor Key	1	P75191	P75192	P75192	NA	NA
20	Guard	2	P75410	P75410	P75410	P75411	P75411
20	Guard Screw	4	P86085	P86085	P86085	P86085	P86085
<b>COUPLER PARTS</b>							
16	Coupler, Split	1	P70988	P70989	P70989	P75391	P75392
16	Capscrew	4 / 6	P44250 (4)			DJ0083 (6)	
16	Hex Nut	4 / 6	P52380 (4)			P52380 (6)	
16	Lockwasher	4 / 6	P16690 (4)			P16690 (6)	
<b>FLUSH PIPING ASSEMBLY</b>							
21	Elbow	1	S41800			DF0521	
21	Nipple	1	DL0028			DL0028	
21	Straight Tee	1	P75181			P75181	
21	Bushing	1	DF0003			DF0003	
21	Tube Fitting	1	S42940			S42940	
21	Tubing	2	X42101			X42101	
21	Two-way Valve	1	P75255			P75255	

# 12x12x13

ITEM	DESCRIPTION	QTY	PART				
<b>COMMON PARTS</b>			(for TC motors: 2-1/8" shaft)				
			<b>444TC-449TC</b>	<b>404TC-405TC</b>	<b>364TC-365TC</b>	<b>324TC-326TC</b>	<b>284TC-286TC</b>
1	Volute	1	P2000721				
2	Pipe Plug 3/4NPT	4	CP-711-509-006				
25	Pipe Plug 1/4NPT	3	P39040				
10A	Baffle	1	P2000724				
10B	Capscrew	4	P2000737				
23	Coverplate In-Seal	1	P2000728				
23	Coverplate Ex-Seal	1	P2000729				
22A	Wear Ring	2	P2000738				
22B	Setscrew	6	P2000957				
24	O Ring	1	P2000742				
4	Impeller	1	P2000726				
5	Bearing	1	P75385				
9	Impeller Nut	1	P2000741				
10C	Lockwasher	4	J23875				
12	Impeller Key	1	P2000739				
11	Impeller Washer	1	P2000740				
13	Shaft	1	P2000725				
<b>MECHANICAL SEAL PARTS</b>							
	<b>Inside Seal:</b>						
6A	Mechanical Seal Kit	1	P75396				
6B	Snap Ring 2.125 Shaft	1	P75404				
6C	Cap	1	P75386				
6D	Capscrew	4	H28200				
6E	Gasket	1	P75412				
6F	Washer	4	P44580				
	<b>Outside Seal:</b>						
7A	Mechanical Seal Kit	1	P75400				
7B	Capscrew	4	H28200				
7C	Gland	1	P75413				
7D	Washer	4	P44580				
<b>MOTOR BRACKET</b>			<b>444TC-449TC</b>	<b>404TC-405TC</b>	<b>364TC-365TC</b>	<b>324TC-326TC</b>	<b>284TC-286TC</b>
8	Motor Bracket	1	P2000731		P2000733		P2000735
3	Capscrew 1/2-13UNCx2-1/2 GR5	18	P2000743				
18A	Capscrew Motor	8/4	J92288 (8)			J92288 (4)	P45110 (4)
18B	Washer Lock	8/4	P46420 (8)			P46420 (4)	P11200(4)
20B	Capscrew 5/16-18UNCx1/2	12	DJ0030				
20A	Guard	2	P2000758	P2000759			P2000760
<b>COUPLER PARTS</b>							
16A	Coupler, Split	1	P2000754	P2000753	P2000752	P2000751	P2000750
17B	Setscrew	6/4	P75405 (6)			P71388 (4)	P71388 Qty (3)
16C	Hex Nut	8/6	F11400 Qty (8)			F11400 Qty (6)	
16D	Washer Lock	8/6	P11200 Qty (8)			P11200 Qty (6)	
15A	Coupler Ring Pump	1	P2000744				
15B	Capscrew 1/2-13UNCx1.25	1	P13780				
15C	Washer Lock	1	P11200				
16B	Capscrew 1/2-13UNCx3 Gr 5	8/6	H28900 Qty (8)			H28900 Qty (6)	
26	Motor Key	1	P5003407	P2000762	P5001580	P75191	
17A	Coupler Ring	1	P2000749	P2000748	P2000747	P2000746	P71373
14	Pump Key	1	P2000739				
<b>FLUSH PIPING ASSEMBLY</b>							
21	Elbow	1	S41800				
21	Bushing	1	DF0003				
21	Nipple	1	DL0028				
21	Straight Tee	1	P75181				
21	Tube Smls Cu 3/8	2	X42101				

## 14x14x14

ITEM	DESCRIPTION	QTY	PART			
<b>COMMON PARTS</b>			(for TC motors: 2-1/2" shaft)			
			<b>444TC-449TC</b>	<b>404TC-405TC</b>	<b>364TC-365TC</b>	<b>324TC-326TC</b>
1	Volute	1	P2000755			
2B	Pipe Plug 1NPT	2	J89455			
2A	Pipe Plug 3/4 NPT	1	CP-711-509-006			
25	Pipe Plug 1/4 NPT	3	P39040			
27	Bearing Lower	1	P2000941			
28	Hose ASM Lower Bearing	1	P2000768			
22A	Wear Ring	2	P2000937			
22B	Setscrew	6	P2000957			
23	Coverplate	1	P2000930			
4	Impeller	1	P2000763			
5	Bearing	1	P2000942			
12	Impeller Key	1	P2000931			
13	Shaft	1	P2000945			
12	O-Ring	2	P2000765			
11	Impeller Lock Ring	1	P2000936			
9	Capscrew	4	P2000767			
<b>MECHANICAL SEAL PARTS</b>						
	<b>Inside Seal:</b>					
6A	Mechanical Seal Kit	1	P2000953			
6B	Snap Ring 2.50 Shaft	1	P5001094			
6C	Gland	1	P2000769			
6D	Capscrew	4	H28200			
6E	Gasket	1	P2000766			
6F	Washer	4	P44580			
	<b>Outside Seal:</b>					
7A	Mechanical Seal Kit	1	P2000948			
7B	Capscrew	4	H28200			
7C	Gland	1	P2000770			
7D	Washer	4	P44580			
<b>MOTOR BRACKET</b>			<b>444TC-449TC</b>	<b>404TC-405TC</b>	<b>364TC-365TC</b>	<b>324TC-326TC</b>
8	Motor Bracket	1	P2000933	P2000935		
24	Washer Lock	8/4	P46420 (8)			P46420 (4)
18A	Capscrew Motor	8/4	J92288 (8)			J92288 (4)
18B	Capscrew Hex	24	J92017			
20B	Capscrew	12	DJ0030			
20A	Guard	2	P2000943	P2000944		
<b>COUPLER PARTS</b>						
16A	Coupler, Split	1	P2000938	P2000939	P2000940	P2000958
17A	Coupler Ring	1	P2000749	P2000748	P2000747	P2000746
15	Ring Collar 2.50	1	P2000946			
26	Motor Key	1	P5003407	P2000762	P5001580	P75191
17B	Setscrew	6/4	P75405 (6)			P71388 (4)
16B	Capscrew	8	H28900			
16C	Hex Nut	8	F11400			
16D	Lockwasher	8	P11200			
14	Pump Key	1	P2000931			
<b>FLUSH PIPING ASSEMBLY</b>						
21	Elbow	1	S41800			
21	Nipple	1	DL0028			
21	Straight Tee	1	P75181			
21	Bushing	1	DF0003			
21	Brass Ball VLV	1	P75255			
21	Conn Male Comp	1	S42940			
21	Tube Smls Cu	2	X42101			

# Xylem |'zīləm|

- 1) The tissue in plants that brings water upward from the roots;
- 2) a leading global water technology company.

We're a global team unified in a common purpose: creating advanced technology solutions to the world's water challenges. Developing new technologies that will improve the way water is used, conserved, and re-used in the future is central to our work. Our products and services move, treat, analyze, monitor and return water to the environment, in public utility, industrial, residential and commercial building services, and agricultural settings. With its October 2016 acquisition of Sensus, Xylem added smart metering, network technologies and advanced data analytics for water, gas and electric utilities to its portfolio of solutions. In more than 150 countries, we have strong, long-standing relationships with customers who know us for our powerful combination of leading product brands and applications expertise with a strong focus on developing comprehensive, sustainable solutions.

**For more information on how Xylem can help you, go to [www.xylem.com](http://www.xylem.com)**

We value your feedback. Please take our 3 question survey at **[bellgossett.com/survey](http://bellgossett.com/survey)** to let us know how we are doing.



Xylem Inc.  
8200 N. Austin Avenue  
Morton Grove, Illinois 60053  
Phone: (847) 966-3700  
Fax: (847) 965-8379  
[www.xylem.com/bellgossett](http://www.xylem.com/bellgossett)

Bell & Gossett is a trademark of Xylem Inc. or one of its subsidiaries.  
© 2021 Xylem Inc. CP-115-PL R1 June 2021