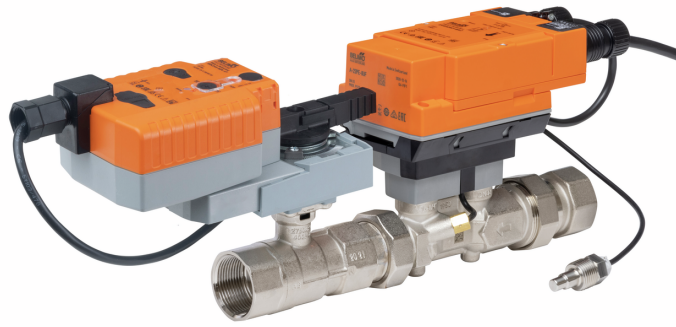


Energy metering pressure independent control valve that optimizes, documents and proves water coil performance in chilled and hot water systems.

- Nominal voltage AC/DC 24 V
- Control Modulating, Communicative, Hybrid, Cloud
- Measures Energy
- Controls Power
- Manages Delta T



5-year warranty



Picture may differ from product

### Type Overview

#### Type

EV200H+AKRX-E

#### DN

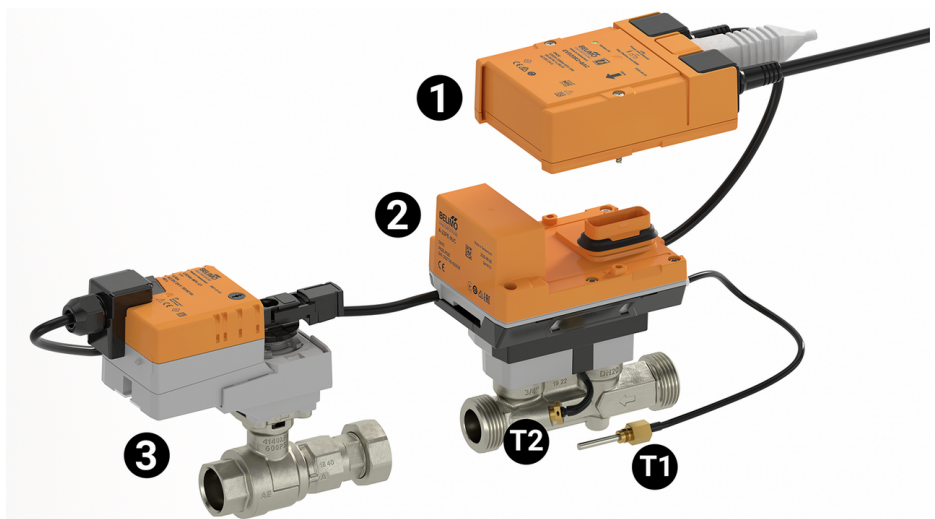
2" [50]

### Structure

**Components** The Belimo Energy Valve consists of a characterized control valve, an actuator and a thermal energy meter with a logic and a sensor module.

The logic module provides the power supply, the communication interface and the NFC connection of the energy meter. All relevant data are measured and recorded in the sensor module.

This modular design of the energy meter means that the logic module can remain in the system if the sensor module is replaced.



External temperature sensor T1  
Integrated temperature sensor T2

Logic module 1

Sensor module 2

Characterized control valve with actuator 3

### Technical data

#### Electrical data

Nominal voltage	AC/DC 24 V
Nominal voltage frequency	50/60 Hz
Nominal voltage range	AC 19.2...28.8 V / DC 21.6...28.8 V
Power consumption in operation	14 W
Transformer sizing	23 VA

**Technical data**

<b>Electrical data</b>	Connection Ethernet	RJ45 socket
	Power over Ethernet PoE	DC 37...57 V 11 W (PD13W)
	Conductors, cables	Power supply AC/DC 24 V: cable length <100 m, no shielding or twisting required Power supply PoE: shielded cables recommended
	Electrical Connection	18 AWG plenum cable and RJ45 socket (Ethernet)
<b>Data bus communication</b>	Communicative control	BACnet/IP, BACnet MS/TP Modbus TCP, Modbus RTU MP-Bus Cloud
<b>Functional data</b>	Valve size [mm]	2" [50]
	Operating range Y	2...10 V
	Operating range Y note	4...20 mA w/ ZG-R01 (500 Ω, 1/4 W resistor)
	Input impedance	100 kΩ (0.1 mA), 500 Ω
	Operating modes optional	VDC variable
	Position feedback U	2...10 V
	Position feedback U variable	VDC variable
	Running Time (Motor)	90 s
	Running time fail-safe	<35 s
	Noise level, fail-safe	45 dB(A)
	Control accuracy	±5%
	Min. controllable flow	1% of V <sub>nom</sub>
	Fluid	chilled or hot water, up to 60% glycol max (open loop/steam not allowed)
	Fluid temperature	14...250°F [-10...120°C]
	Close-off pressure Δps	200 psi
	Differential Pressure Range	8...50 psi or 1...50 psi with flow reductions (see chart)
	Flow characteristic	equal percentage or linear
	Body Pressure Rating	360 psi
	GPM	100
	Pipe connection	Internal thread NPT (female)
	Servicing	maintenance-free
	Manual override	external push button
	Inlet Length to Meet Specified Measurement Accuracy	5x nominal pipe size (NPS)
<b>Measuring data</b>	Measured values	Flow Temperature
	Temperature sensor	Pt1000 - EN 60751, 2-wire technology, inseparably connected Cable length external sensor T1: 3 m
<b>Temperature measurement</b>	Measuring accuracy absolute temperature	Temperature probe (probe only – individually compensated): ± (0.1 + 0.0017  T ) °C (corresponds to Pt1000 EN60751 Class AA) Calculator + temperature probe: ± (0.15 + 0.002  T ) °C

**Technical data**

<b>Temperature measurement</b>	Measuring accuracy differential temperature	±0.17K @ ΔT = 5K ±0.18 K @ ΔT = 10 K ±0.23 K @ ΔT = 20 K
	Remote Temperature Sensor Length	Standard: 9.8 ft. [3m]
<b>Flow measurement</b>	Measuring accuracy flow	±2%*
	Measurement repeatability	±0.5% (Flow)
	Sensor technology	Ultrasonic with glycol and temperature compensation
<b>Safety data</b>	Power source UL	Class 2 Supply
	Degree of protection IEC/EN	IP54 when using protective cap or protective grommet for RJ45 socket. Sensor module: IP65
	Degree of protection NEMA/UL	NEMA 2
	Housing	UL Enclosure Type 1
	Agency Listing	cULus acc. to UL60730-1A/-2-14, CAN/CSA E60730-1:02 CE acc. to 2014/30/EU and 2014/35/EU
	Quality Standard	ISO 9001
	UL 2043 Compliant	Suitable for use in air plenums per Section 300.22(C) of the NEC and Section 602 of the IMC
	Ambient humidity	Max. 95% RH, non-condensing
	Ambient temperature	-22...122°F [-30...50°C]
	Storage temperature	-40...176°F [-40...80°C]
	<b>Materials</b>	Valve body
Flow measuring pipe		Nickel-plated brass body
Stem		stainless steel
Stem seal		EPDM (lubricated)
Seat		PTFE
Characterized disc		TEFZEL®
O-ring		EPDM
Ball	stainless steel	

**Safety notes**


- This device has been designed for use in stationary heating, ventilation and air-conditioning systems and must not be used outside the specified field of application, especially in aircraft or in any other airborne means of transport.
- Outdoor application: only possible in case that no (sea) water, snow, ice, insolation or aggressive gases interfere directly with the actuator and that is ensured that the ambient conditions remain at any time within the thresholds according to the data sheet.
- Only authorized specialists may carry out installation. All applicable legal or institutional installation regulations must be complied with during installation.
- The device contains electrical and electronic components and must not be disposed of as household refuse. All locally valid regulations and requirements must be observed.

**Product features**

- Application** Water-side control certified for heating applications only. For AHUs and water coils.
- Operation** The Energy Valve is an energy metering pressure independent control valve that measures, documents and optimises water coil performance.

Product features

**Operating mode** The HVAC performance device is comprised of four components: characterized control valve (CCV), measuring pipe with flow sensor, temperature sensors and the actuator itself. The adjusted maximum flow (V'max) is assigned to the maximum control signal DDC (typically 10 V / 100%). Alternatively, the control signal DDC can be assigned to the valve opening angle or to the power required on the heat exchanger (see power control). The HVAC performance device can be controlled via communicative or analog signals. The fluid is detected by the sensor in the measuring pipe and is applied as the flow value. The measured value is balanced with the setpoint. The actuator corrects the deviation by changing the valve position. The angle of rotation  $\alpha$  varies according to the differential pressure through the control element (see flow curves).

**Flow measurement** \*All flow tolerances are at 68°F [20°C] & water.

**PoE (Power over Ethernet)** If necessary, the thermal energy meter can be supplied with power via the Ethernet cable. This function can be enabled via Belimo Assistant 2.  
 DC 24 V (max. 8 W) is available at wires 1 and 2 for power supply of external devices (e.g., actuator or active sensor).  
 Caution: PoE may only be enabled if an external device is connected to wires 1 and 2 or if wires 1 and 2 are insulated!

Accessories

Replacement sensor modules	Description	Type
	T-piece with thermowell DN 15	A-22PE-A09
	T-piece with thermowell DN 20	A-22PE-A10
	T-piece with thermowell DN 25	A-22PE-A11
	T-piece with thermowell DN 32	A-22PE-A12
	T-piece with thermowell DN 40	A-22PE-A13
	T-piece with thermowell DN 50	A-22PE-A14
Tools	Description	Type
	Belimo Assistant Link Bluetooth and USB to NFC and MP-Bus converter for configurable and communicative devices	LINK.10
Mechanical accessories	Description	Type
	Thermowell (fabricated) Stainless steel, 3.2" [80 mm], 1/2" NPT, SW=0.94"	A-22PE-A16
Sensors	Description	Type
	Differential pressure sensor Water, 0...1 bar, 0...15 psi, active, 0...10 V	22WDP-511
	Differential pressure sensor Water, 0...2.1 bar, 0...30 psi, active, 0...10 V	22WDP-512
	Differential pressure sensor Water, 0...3.4 bar, 0...50 psi, active, 0...10 V	22WDP-514
	Differential pressure sensor Water, 0...6.9 bar, 0...100 psi, active, 0...10 V	22WDP-515

Electrical installation



Supply from isolating transformer.

Parallel connection of other actuators possible. Observe the performance data.

The wiring of the line for BACnet MS/TP / Modbus RTU is to be carried out in accordance with applicable RS485 regulations.

Modbus / BACnet: Supply and communication are not a galvanic dry contact. COM and the ground of the devices must be connected.

Sensor connection: An additional sensor can optionally be connected to the thermal energy meter. This can be a passive resistance sensor Pt1000, Ni1000, NTC10k (10k2), an active sensor with output DC 0...10 V or a switching contact. Thus the analogue signal of the sensor can be easily digitised with the thermal energy meter and transferred to the corresponding bus system.

Analog output: An analog output is available on the thermal energy meter. This can be selected as DC 0...10 V, DC 0.5...10 V or DC 2...10 V. For example, the flow rate or the temperature of the temperature sensor T1 / T2 can be output as an analog value.

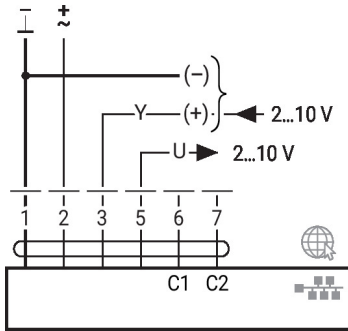
### Electrical installation

#### Wire colors:

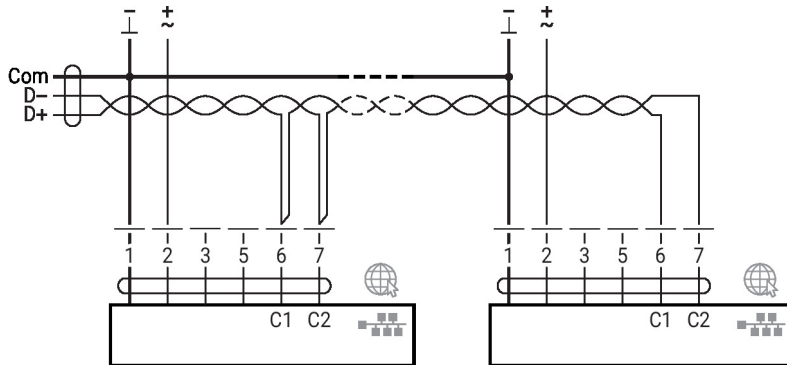
- 1 = black
- 2 = red
- 3 = white
- 5 = orange
- 6 = pink
- 7 = grey

#### Functions:

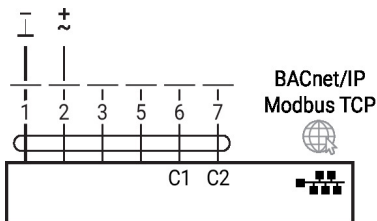
- 1 = Com
- 2 = AC/DC 24 V
- 3 = Sensor (optional)
- 5 = 0...10 V, MP-Bus
- C1 = D- (wire 6)
- C2 = D+ (wire 7)



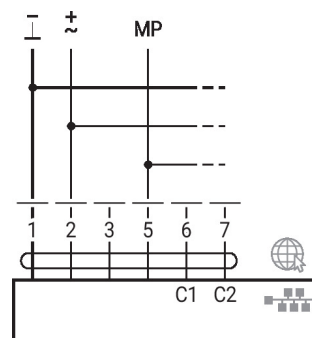
#### BACnet MS/TP / Modbus RTU



#### BACnet/IP / Modbus TCP

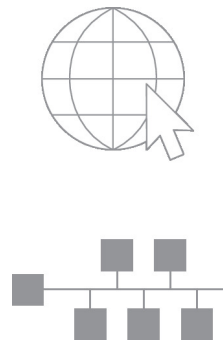
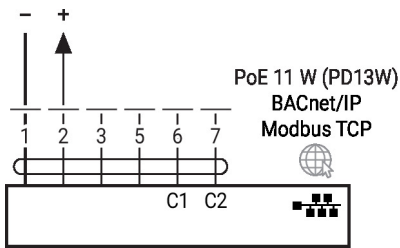


#### MP-Bus, supply via 3-wire connection



**Electrical installation**

PoE with BACnet/IP / Modbus TCP



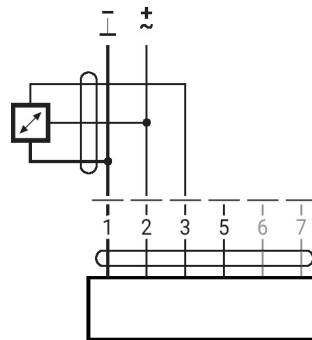
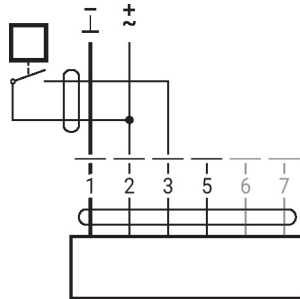
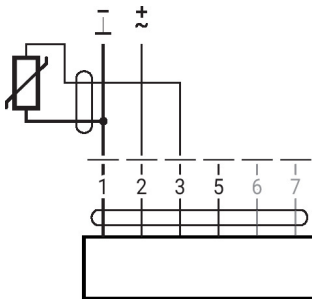
Connection of a notebook for parameterisation manual control via Rj45.  
Optional connection via Rj45 (direct connection to notebook / connection via Intranet or Internet) for access to the integrated web server

**Converter for sensors**

Connection with passive sensor

Connection with switching contact

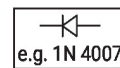
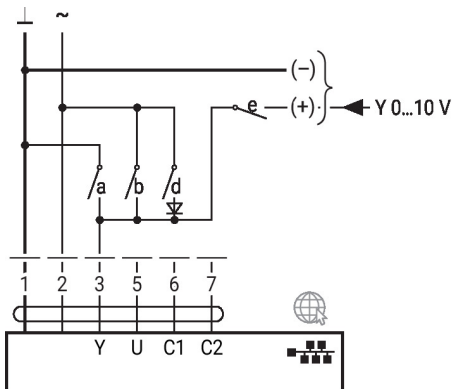
Connection with active sensor



**Further electrical installations**

**Functions with specific parameters (configuration necessary)**

Override control and limiting with AC 24 V with relay contacts (with conventional control or hybrid mode, not for differential pressure control)



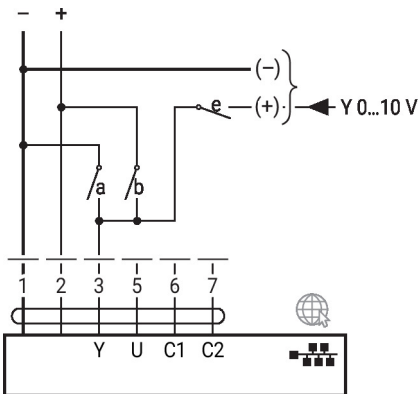
1	2	a	b	d	e		Inv.
						Close <sup>1)</sup>	Open <sup>1)</sup>
						V' <sub>min</sub> <sup>2)</sup>	V' <sub>max</sub> <sup>2)</sup>
						Q' <sub>min</sub> <sup>3)</sup>	Q' <sub>max</sub> <sup>3)</sup>
						V' <sub>max</sub>	V' <sub>max</sub>
						Open	Open
						Y	Y

- 1) Position control
  - 2) Flow control
  - 3) Power control
- Inv. = control signal inverted

**Further electrical installations**

**Functions with specific parameters (configuration necessary)**

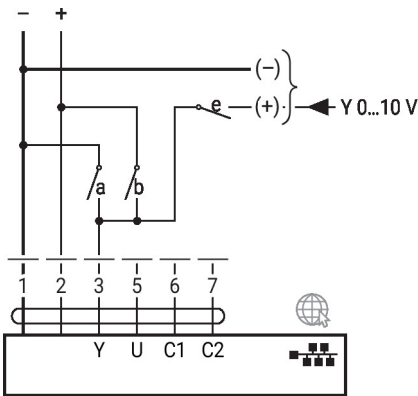
Override control and limiting with DC 24 V with relay contacts (with conventional control or hybrid mode, not for differential pressure control)



1	2	a	b	e		Inv.
					Close <sup>1)</sup>	Open <sup>1)</sup>
					V' <sub>min</sub> <sup>2)</sup>	V' <sub>max</sub> <sup>2)</sup>
					Q' <sub>min</sub> <sup>3)</sup>	Q' <sub>max</sub> <sup>3)</sup>
					Y	Y
					Open <sup>1)</sup>	Open <sup>1)</sup>
					V' <sub>max</sub> <sup>2)</sup>	V' <sub>max</sub> <sup>2)</sup>
					Q' <sub>max</sub> <sup>3)</sup>	Q' <sub>max</sub> <sup>3)</sup>

- 1) Position control
- 2) Flow control
- 3) Power control
- Inv. = control signal inverted

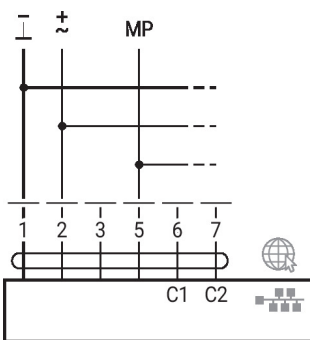
Override control and limiting with DC 24 V with relay contacts (with conventional control or hybrid mode, not for differential pressure control)



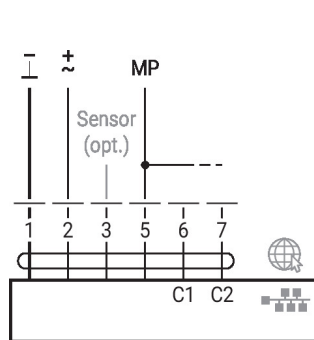
1	2	a	b	e		Inv.
					Close <sup>1)</sup>	Open <sup>1)</sup>
					V' <sub>min</sub> <sup>2)</sup>	V' <sub>max</sub> <sup>2)</sup>
					Q' <sub>min</sub> <sup>3)</sup>	Q' <sub>max</sub> <sup>3)</sup>
					Y	Y
					Open <sup>1)</sup>	Open <sup>1)</sup>
					V' <sub>max</sub> <sup>2)</sup>	V' <sub>max</sub> <sup>2)</sup>
					Q' <sub>max</sub> <sup>3)</sup>	Q' <sub>max</sub> <sup>3)</sup>

- 1) Position control
- 2) Flow control
- 3) Power control
- Inv. = control signal inverted

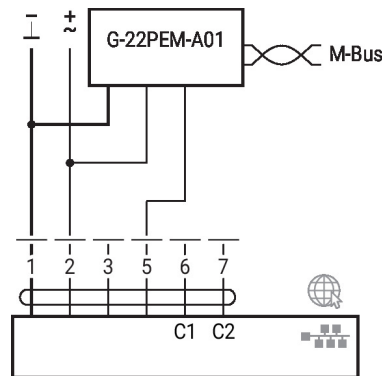
MP-Bus, supply via 3-wire connection



MP-Bus via 2-wire connection, local power supply



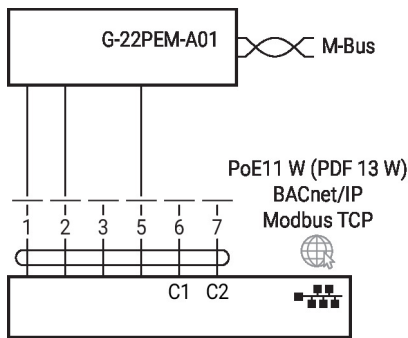
M-Bus with converter



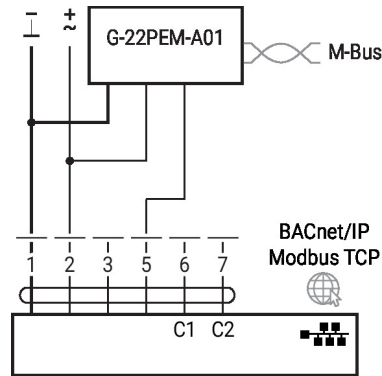
**Further electrical installations**

**Functions with specific parameters (configuration necessary)**

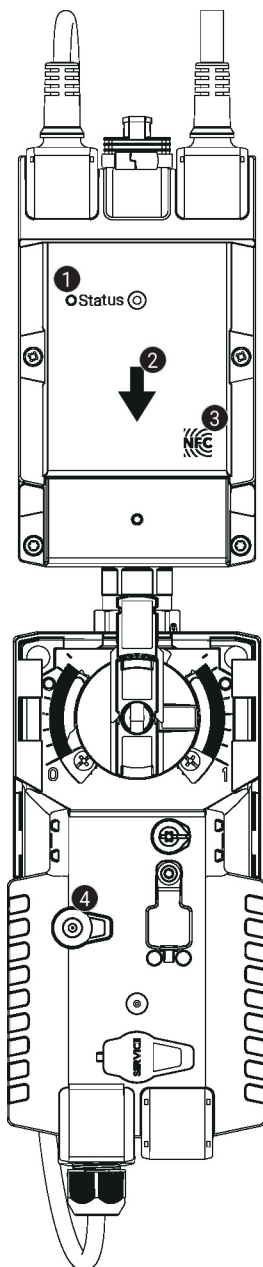
M-Bus with converter in parallel mode with PoE with BACnet/IP / Modbus TCP



M-Bus with converter in parallel mode with BACnet/IP / Modbus TCP



**Operating controls and indicators**



**1 LED display green**

- On: Device starting up
- Flashing: In operation (Power ok)
- Off: No power

**2 Flow direction**

**3 NFC interface**

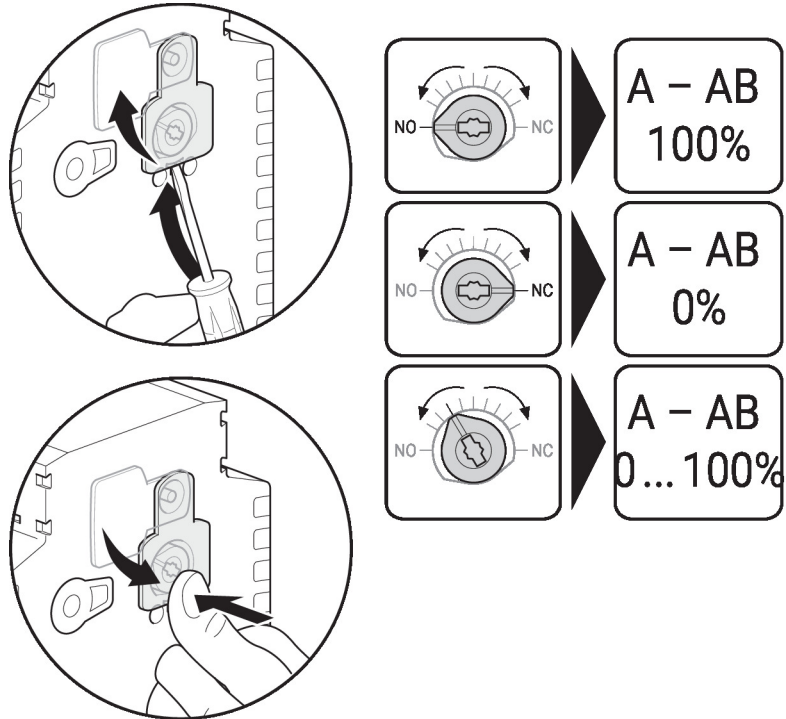
**4 Manual override button**

- Press button: Gear train disengages, motor stops, manual override possible
- Release button: Gear train engages, standard mode

Operating controls and indicators

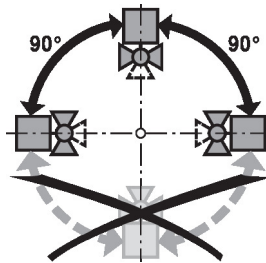
Setting fail-safe position

Setting fail-safe position (POP)



Installation notes

**Permissible installation orientation** The ball valve can be installed upright to horizontal. The ball valve may not be installed in a hanging position, i.e. with the stem pointing downwards.



**Installation location in return** Installation in the return is recommended.

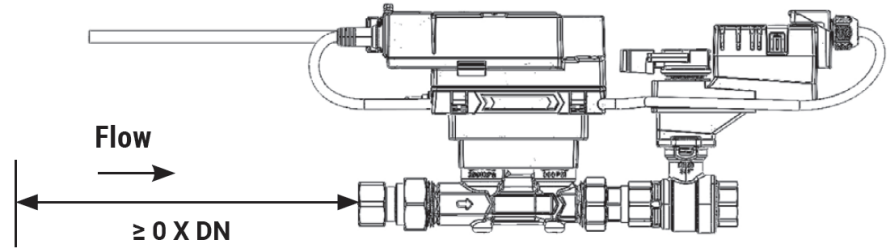
**Water quality requirements** The water quality requirements specified in VDI 2035 must be adhered to. Belimo valves are regulating devices. For the valves to function correctly in the long term, they must be kept free from particle debris (e.g. welding beads during installation work). The installation of a suitable strainer is recommended.

**Servicing** Ball valves, rotary actuators and sensors are maintenance-free. Before any service work on the control element is carried out, it is essential to isolate the rotary actuator from the power supply (by unplugging the electrical cable if necessary). Any pumps in the part of the piping system concerned must also be switched off and the appropriate slide valves closed (allow all components to cool down first if necessary and always reduce the system pressure to ambient pressure level). The system must not be returned to service until the ball valve and the rotary actuator have been correctly reassembled in accordance with the instructions and the pipeline has been refilled by professionally trained personnel.

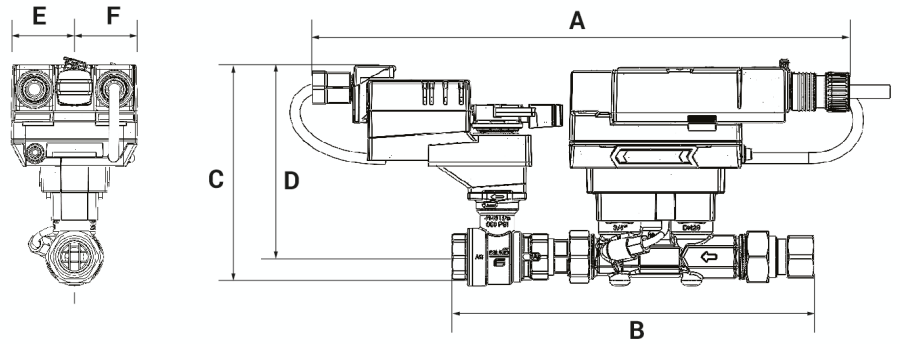
**Flow direction** The direction of flow, specified by an arrow on the housing, is to be complied with, since otherwise the flow rate will be measured incorrectly.

## Installation notes

- Cleaning of pipes** Before installing the thermal energy meter, the circuit must be thoroughly rinsed to remove impurities.
- Prevention of stresses** The energy meter must not be subjected to excessive stress caused by pipes or fittings.
- Inlet section** There are no requirements for straight inlet sections prior to the flow sensor. Product has been tested to and fulfills the requirements of EN1434-4:2022



## Dimensions



Type	DN		Weight			
EV200H+AKRX-E	2" [50]		14 lb [6.2 kg]			
A	B	C	D	E	F	
18.5" [470]	12.4" [315]	7.4" [187]	6.0" [153]	1.8" [46]	1.8" [46]	