

79. Sensor

Grundfos Direct Sensor

50/60 Hz

VFI service kit, sensor with flange, EPDM

Pos.	Pipe size	DN 18	DN 25	DN 32	DN 40	DN 50	DN 65	DN 80	DN 100
	Kit No	97778585	97778588	97778589	97778590	97778611	97778612	97778613	97778614
Description									
1	Screw	4	4	4	4	4	4	4	4
2	Intermediate flange	1	1	1	1	1	1	1	1
4	Sensor housing	1	1	1	1	1	1	1	1
	O-ring	1	1	1	1	1	1	1	1
5	Body for flow pipe	1	1	1	1	1	1	1	1

VFI service kit, sensor with flange, FKM

Pos.	Pipe size	DN 18	DN 25	DN 32	DN 40	DN 50	DN 65	DN 80	DN 100
	Kit No	97778615	97778616	97778617	97778618	97778619	97778620	97778621	97778626
Description									
1	Screw	4	4	4	4	4	4	4	4
2	Intermediate flange	1	1	1	1	1	1	1	1
4	Sensor housing	1	1	1	1	1	1	1	1
	O-ring	1	1	1	1	1	1	1	1
5	Body for flow pipe	1	1	1	1	1	1	1	1

VFI service kit, sensor with thread, EPDM

Pos.	Pipe size	DN 18	DN 25	DN 32	DN 40	DN 50	DN 65	DN 80	DN 100
	Kit No	98333155	98333156	98333157	97778590	97778611	97778612	97778613	97778614
Description									
1	Screw	4	4	4	4	4	4	4	4
2	Intermediate flange	1	1	1	1	1	1	1	1
4	Sensor housing	1	1	1	1	1	1	1	1
	O-ring	1	1	1	1	1	1	1	1
5	Body for flow pipe	1	1	1	1	1	1	1	1

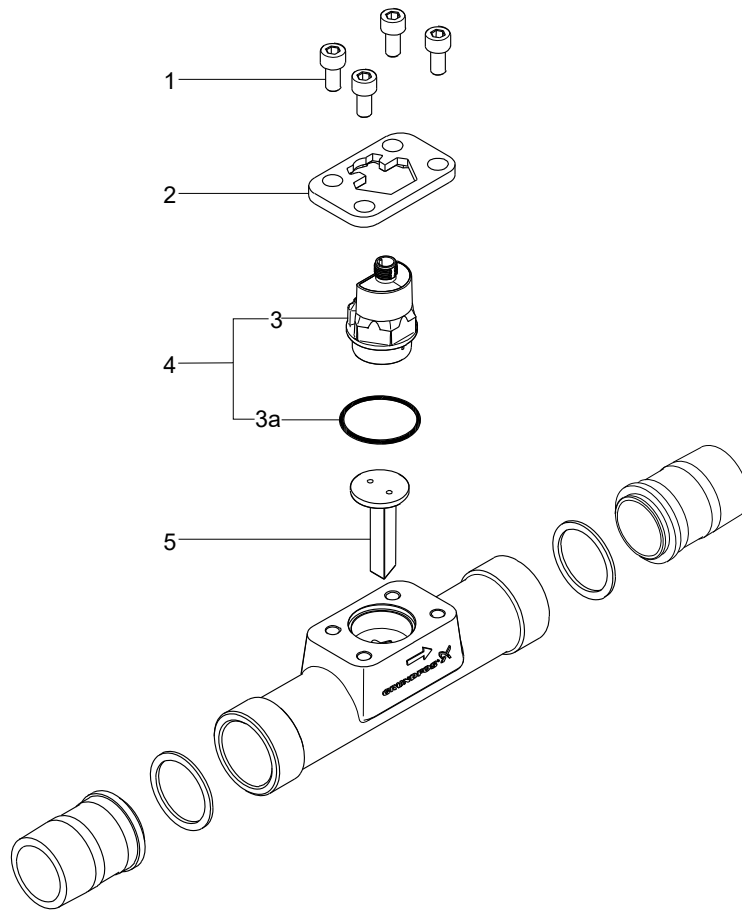
VFI service kit, sensor with thread, FKM

Pos.	Pipe size	DN 18	DN 25	DN 32	DN 40	DN 50	DN 65	DN 80	DN 100
	Kit No	98333158	98333159	98333160	97778618	97778619	97778620	97778621	97778626
Description									
1	Screw	4	4	4	4	4	4	4	4
2	Intermediate flange	1	1	1	1	1	1	1	1
4	Sensor housing	1	1	1	1	1	1	1	1
	O-ring	1	1	1	1	1	1	1	1
5	Body for flow pipe	1	1	1	1	1	1	1	1

Cable service kit

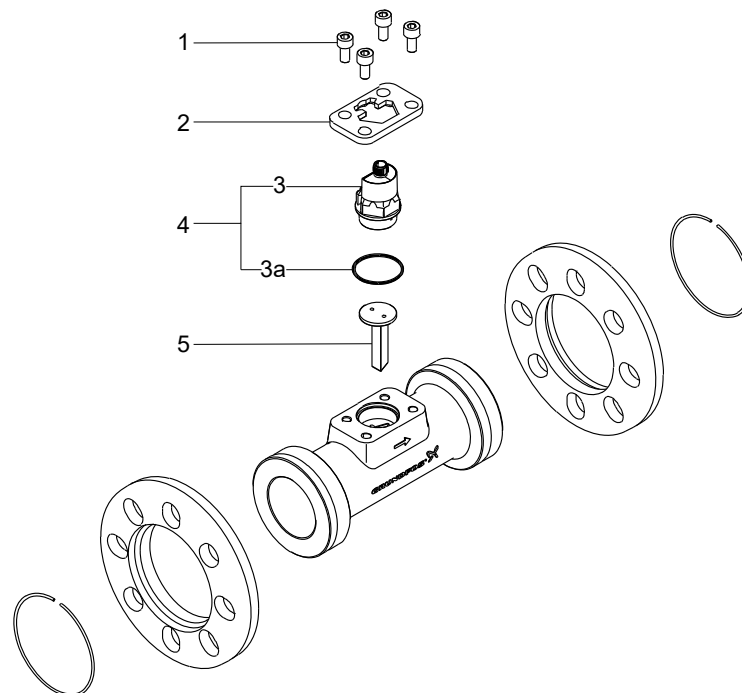
Pos.	Kit No	98333102
	Description	
-	Cable, 5 meter	1

VFI sensor with thread



TM049507

VFI sensor with flange



TM049508