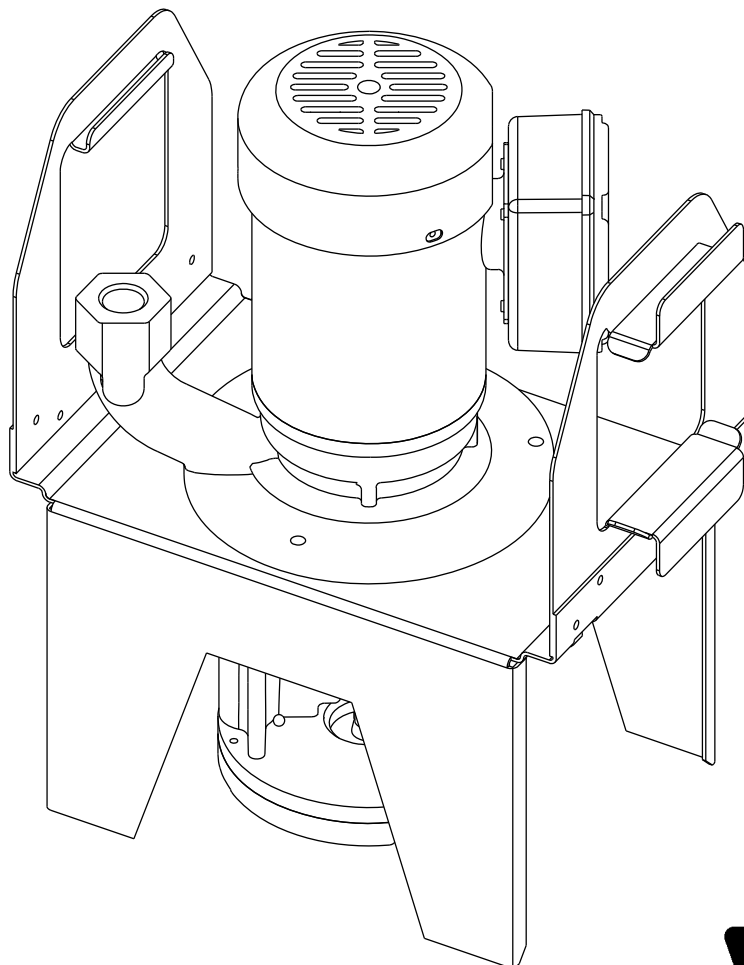
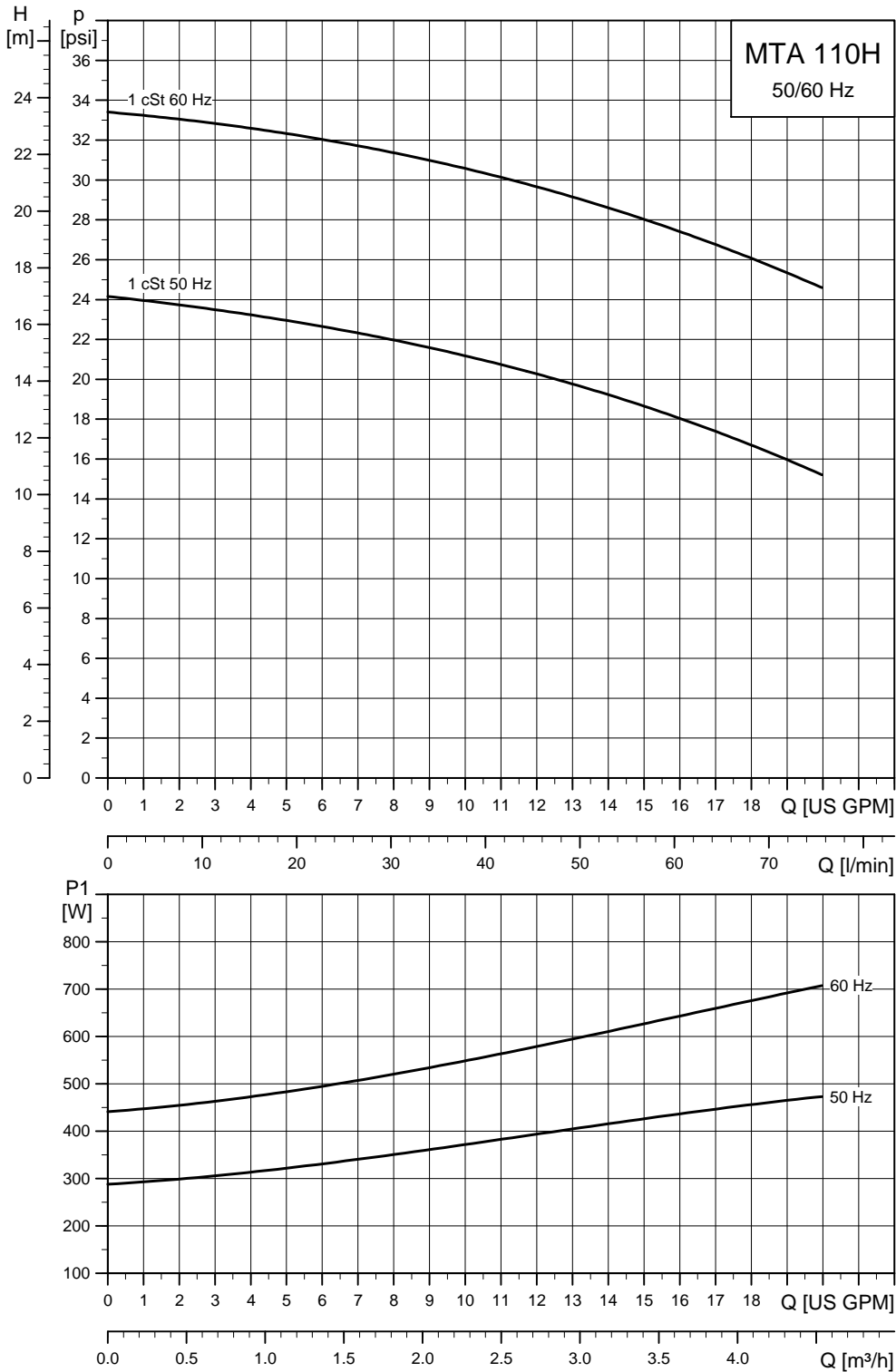


MTA 110H-180 with bracket



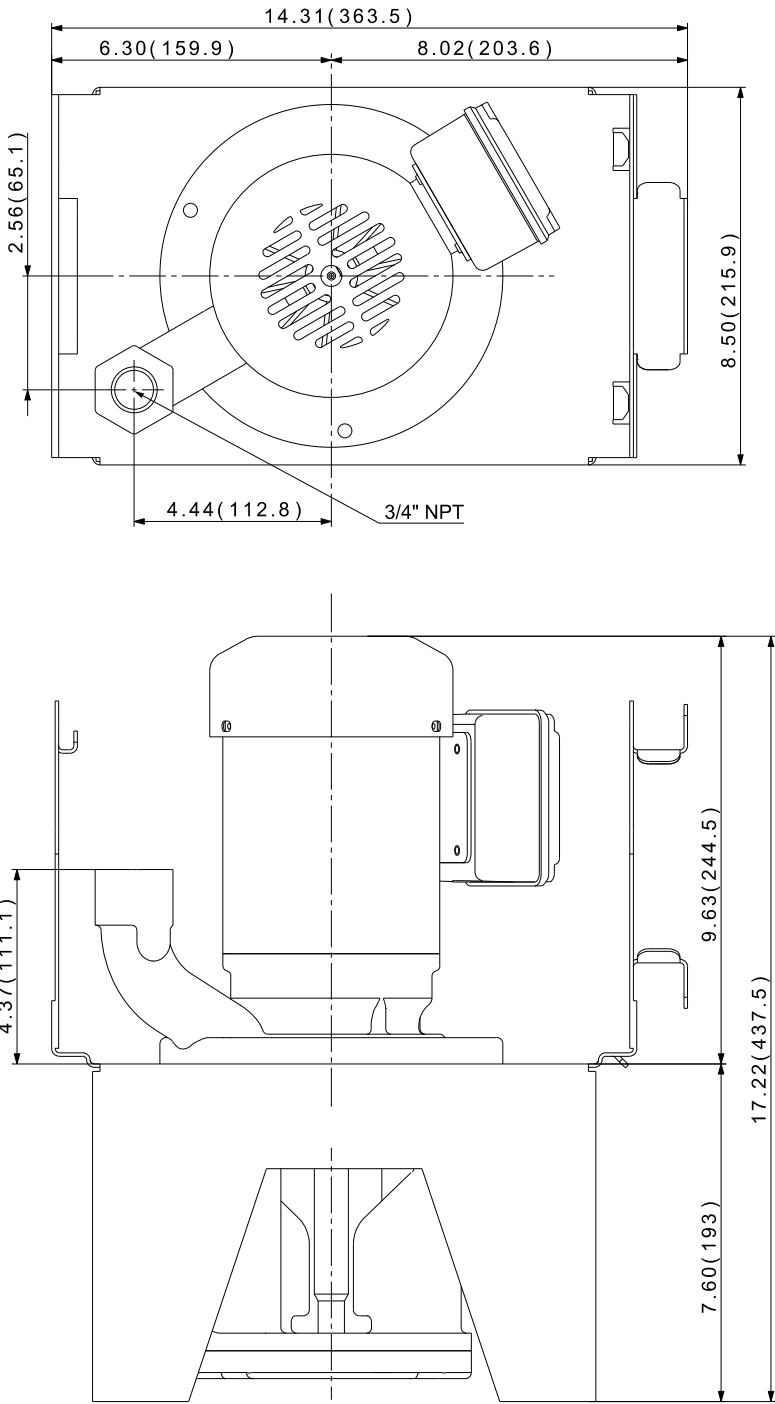
TM05 7685 1513

Performance curves



TM05 7741 1613

Dimensions of pump with bracket



TM05 7732 1513

Fig. 1 MTA 110H-180 with bracket

## Dimensions of pump

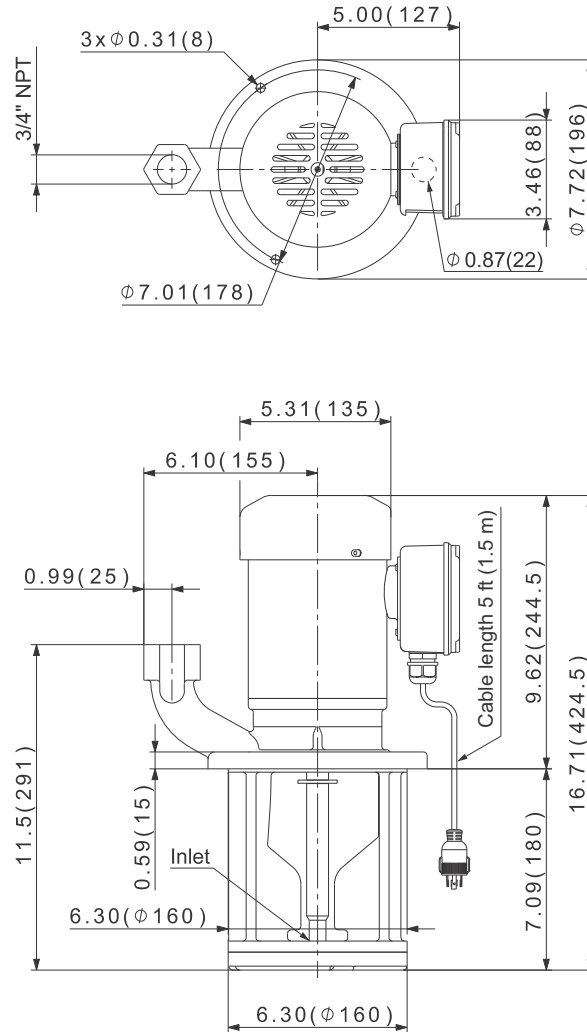


Fig. 2 MTA 110H-180

## Weights

Pump type	Net weight [lbs(kg)]
MTA 110H-180	42.8(19.4)
MTA 110H-180 with bracket	49.6(22.5)

## Electrical data

Voltage	Frequency [Hz]	Rated power [W]	$I_{1/1}$ [A]	$I_{start} / I_{1/1}$	SF	Cos $\phi$
3 x 230 V	50	470	2.0	6.5	1.35	0.75
3 x 230 V	60	750	2.7	4.3	1.35	0,90

98361213 0413

ECM: 1112737

Subject to alterations.

GRUNDFOS Pumps Corporation  
17100 West 118th Terrace  
Olathe, Kansas 66061  
Phone: +1-913-227-3400  
Fax: +1-913-227-3500

GRUNDFOS Canada Inc.  
2941 Brighton Road  
Oakville, Ontario L6H 6C9  
Canada  
Phone: +1-905 829 9533  
Fax: +1-905 829 9512

Bombas GRUNDFOS de Mexico S.A. de C.V.  
Boulevard TLC No. 15  
Parque Industrial Stiva Aeropuerto  
Apodaca, N.L. Mexico 66600  
Phone: +52-81-8144 4000  
Fax: +52-81-8144 4010

**GRUNDFOS** 

TM05 7733 1513