

36. KPL KWM

50/60 Hz

KPL 500

Cable

Without cable bush

Pos.	Description	Cable diameter	Voltage	Length		
				10 m	15 m	20 m
181	3 x 10 + 1 x 6 + 4 x 1.5 mm ²	22	0.6/1 kV	98843203	98843225	98843247
	3 x 16 + 1 x 10 + 4 x 1.5 mm ²	26	0.6/1 kV	98843204	98843226	98843248
	3 x 25 + 1 x 16 + 4 x 1.5 mm ²	32	0.6/1 kV	98843205	98843227	98843249
	6 x 6 + 1 x 4 + 6 x 1.5 mm ²	24	0.6/1 kV	98843188	98843220	98843242
	6 x 10 + 1 x 6 + 6 x 1.5 mm ²	34	0.6/1 kV	98843189	98843221	98843243
	6 x 16 + 1 x 10 + 6 x 1.5 mm ²	34	0.6/1 kV	98843190	98843222	98843244

Cable bush

Pos.	Cable diameter	22	24	26	32	34
		Description/Kit No	98843264	98843265	98843266	98843267
198	Rubber seal	2	2	2	2	2
	Washer	2	2	2	2	2

Bearing

Pos.	Range	Poles		Power	
		4	11~15 kW	19~22 kW	
		6	11 kW	15 kW	
Description/Kit No		98843460	98843461		
153	Lower bearing	1	1		
	Lower bearing 2nd	1	1		
154	Upper bearing	1	1		
154a	Sleeve	1	1		
154b	Lip seal	1	1		
187	Circlip	1	1		
-	Set screw	2	2		

Cartridge Shaft seal kit

Pos.	Description/Kit No	98843288
77a	Circlip (R-105)	1
105	Mechanical seal unit	1
-	Cartridge unit	1

Outlet casing protector

Pos.	Description/Kit No	98843334
117c	Outlet casing protector	5
117d	Socket screw	5

O-ring for oil plugs

Pos.	Description/Kit No	98843382
195a	O-ring 2.4 x 14.0	1

Power Lock

Pos.	Description/Kit No	98843304
118	Power Lock	1

Sensor Cable bush

Pos.	Description/Kit No	98843287
250b	Rubber seal	2
	Washer	2

Turbulence Optimizer

Pos.	Description/Kit No	98843322
117a	Turbulence Optimizer	1
117b	Socket screw	10
	Washer	20

Wear ring

Pos.	Description/Kit No	98843354
46	Wear ring	1
46a	Screw	4

O-ring

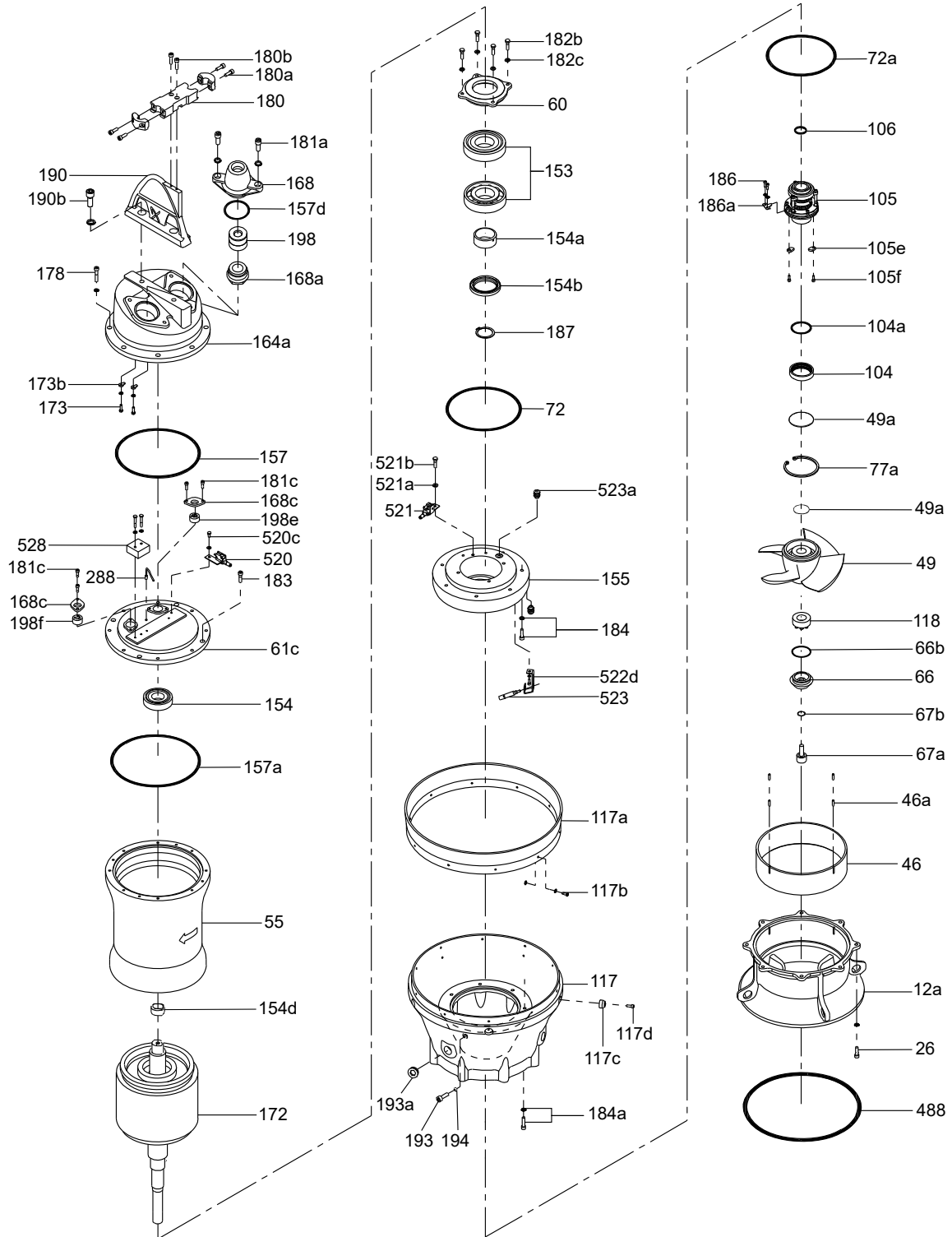
Pos.	Range	Poles		Power	
		4	11~15 kW	19~22 kW	
		6	11 kW	15 kW	
Description/Kit No		98843386	98843387		
49a	O-ring	3.1 x 45.0	1	1	
66b	O-ring	3.1 x 50.0	1	1	
67b	O-ring	2.4 x 22.0	1	1	
72	O-ring	5.7 x 220.0	1	1	
72a	O-ring	5.7 x 203.0	1	1	
104a	O-ring	3.1 x 45.0	1	1	
105b	O-ring	3.5 x 55.0	1	1	
105c	O-ring	3.5 x 99.0	1	1	
106a	O-ring	3.5 x 32.0	1	1	
154b	Lip seal	TC-709513	1	1	
157	O-ring	5.7 x 250.0	1	-	
		5.7 x 275.0	-	1	

Pos.	Range	Poles		Power	
		4	11~15 kW	19~22 kW	
		6	11 kW	15 kW	
Description/Kit No		98843386	98843387		
157a	O-ring	5.7 x 265.0	1		
		5.7 x 302.0	-	1	
157e	O-ring	3.5 x 70.0	1	-	
		3.5 x 80.0	-	1	
157d	O-ring	3.5 x 70.0	1	-	
		3.5 x 80.0	-	1	
194	O-ring	2.4 x 14.0	2	2	
488	O-ring	8.4 x 345.0	1	1	

Sensor Cable

Without cable bush

Pos.	Description	Cable diameter	Length		
			10 m	15 m	20 m
252	8 x 2.5 mm ²	23	98843218	98843240	98843262
	11 x 2.5 mm ²	23	98843219	98843241	98843263



TM060241

KPL 600

Cable

Without cable bush

Pos.	Description	Cable diameter	Voltage	Length		
				10 m	15 m	20 m
181	3 x 16 + 1 x 10 + 4 x 1.5 mm ²	26	0.6/1 kV	98843204	98843226	98843248
	3 x 25 + 1 x 16 + 4 x 1.5 mm ²	32	0.6/1 kV	98843205	98843227	98843249
	6 x 10 + 1 x 6 + 6 x 1.5 mm ²	34	0.6/1 kV	98843189	98843221	98843243
	6 x 16 + 1 x 10 + 6 x 1.5 mm ²	34	0.6/1 kV	98843190	98843222	98843244

Bearing

Pos.	Range	Poles		Power	
		6	8	19~22 kW	15~19 kW
	Description/Kit No			98843462	
153	Lower bearing			1	
	Lower bearing 2nd			1	
154	Upper bearing			1	
154a	Sleeve			1	
154b	Lip seal			1	
187	Circlip			1	
-	Set screw			2	

Cable bush

Pos.	Cable diameter	26	32	34
		Description/Kit No	98843266	98843267
198	Rubber seal	2	2	2
	Washer	2	2	2

Cartridge Shaft seal kit

Pos.	Description/Kit No	98843289
105	Mechanical seal unit	1
-	Cartridge unit	1

Outlet casing protector

Pos.	Description/Kit No	98843335
117c	Outlet casing protector	5
117d	Socket screw	5

O-ring

Pos.	Range	Poles		Power	
		6	8	19~22 kW	15~19 kW
	Description/Kit No			98843388	
49a	O-ring	3.1 x 50.0		1	
66b	O-ring	3.1 x 60.0		1	
67b	O-ring	2.4 x 22.0		1	
72	O-ring	5.7 x 250.0		1	
72a	O-ring	5.7 x 240.0		1	
104a	O-ring	3.1 x 50.0		1	
105b	O-ring	3.5 x 75.0		1	
105c	O-ring	3.5 x 124.0		1	
106a	O-ring	3.5 x 37.0		1	

Pos.	Range	Poles		Power	
		6	8	19~22 kW	15~19 kW
	Description/Kit No			98843388	
154b	Lip seal	TC-709513		1	
157	O-ring	5.7 x 275.0		1	
157a	O-ring	5.7 x 307.0		1	
157d	O-ring	3.5 x 80.0		1	
157e	O-ring	3.5 x 80.0		1	
194	O-ring	2.4 x 14.0		2	
488	O-ring	8.4 x 470.0		1	

O-ring for oil plugs

Pos.	Description/Kit No	98843382
194	O-ring	2.4 x 14.0

Power Lock

Pos.	Description/Kit No	98843305
118	Power Lock	1

Sensor Cable bush

Pos.	Description/Kit No	98843287
250b	Rubber seal	2
	Washer	2

Turbulence Optimizer

Pos.	Description/Kit No	98843287
250b	Rubber seal	2
	Washer	2

Wear ring

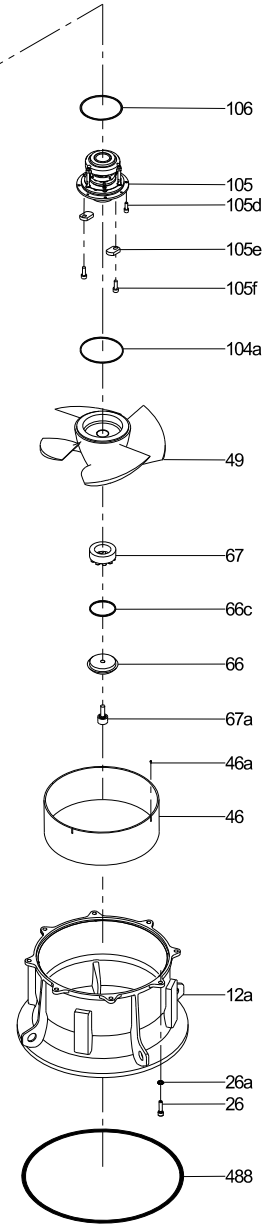
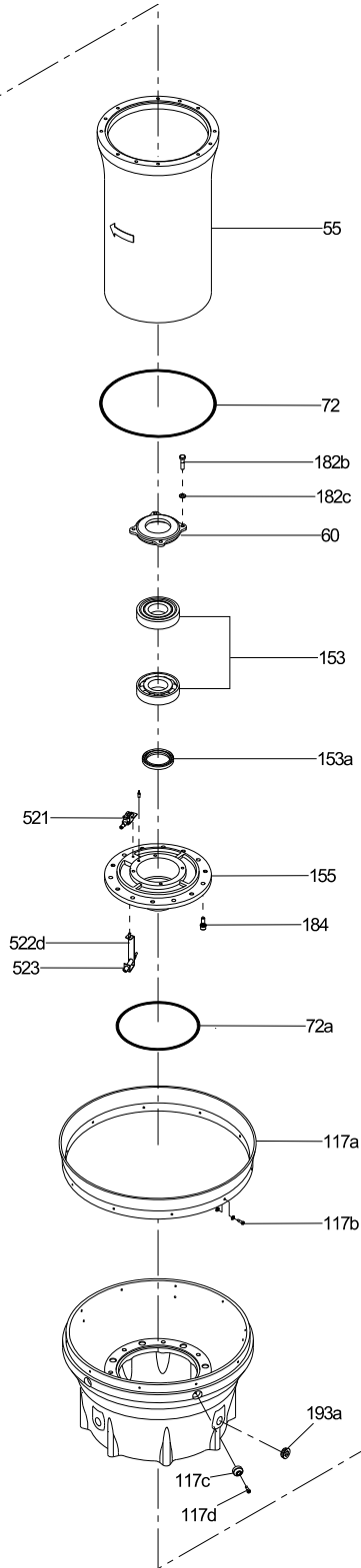
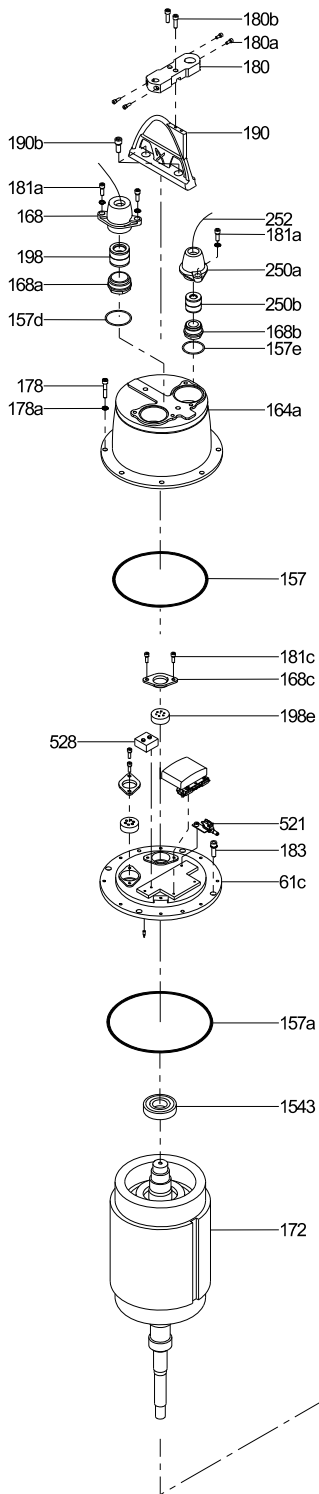
Pos.	Description/Kit No	50 Hz	60 Hz
		98843355	98843356
46	Wear ring	1	1
46a	Screw	4	4

Sensor Cable

Without cable bush

Pos.	Description	Cable diameter	Length		
			10 m	15 m	20 m
252	8 x 2.5 mm ²	23	98843218	98843240	98843262
	11 x 2.5 mm ²	23	98843219	98843241	98843263





TM063993

KPL 650**Cable**

Without cable bush

Pos.	Description	Cable diameter	Voltage	Length		
				10 m	15 m	20 m
181	3 x 25 + 1 x 16 + 4 x 1.5 mm ²	32	0.6/1 kV	98843205	98843227	98843249
	3 x 35 + 1 x 25 + 4 x 1.5 mm ²	32	0.6/1 kV	98843206	98843228	98843250
	3 x 50 + 1 x 35 + 4 x 1.5 mm ²	45	0.6/1 kV	98843207	98843229	98843251
	6 x 16 + 1 x 10 + 6 x 1.5 mm ²	34	0.6/1 kV	98843190	98843222	98843244
	6 x 25 + 1 x 16 + 6 x 1.5 mm ²	42	0.6/1 kV	98843201	98843223	98843245

Cable bush

Pos.	Cable diameter	Cable diameter			
		32	34	42	45
	Description/Kit No	98843271	98843272	98843273	98843274
198	Rubber seal	2	2	2	2
	Washer	2	2	2	2

Bearing

Pos.	Range	Poles	Power
		6	30-37 kW
	Description/Kit No	98843463	
153	Lower bearing	1	
	Lower bearing 2nd	1	
154	Upper bearing	1	
154a	Sleeve	1	
154b	Lip seal	1	
187	Circlip	1	
-	Set screw	2	

Cartridge Shaft seal kit

Pos.	Description/Kit No	98843290
105	Mechanical seal unit	1
-	Cartridge unit	1

Outlet casing protector

Pos.	Description/Kit No	98843336
117c	Outlet casing protector	5
117d	Socket screw	5

O-ring

Pos.	Range	Poles	Power
		6	30-37 kW
	Description/Kit No	98843389	
49a	O-ring	3.5 x 60.0	1
66b	O-ring	3.1 x 60.0	1
67b	O-ring	2.4 x 22.0	1
72	O-ring	5.7 x 340.0	1
72a	O-ring	5.7 x 320.0	1
104a	O-ring	3.5 x 60.0	1
105b	O-ring	3.5 x 75.0	1
105c	O-ring	3.5 x 124.0	1
106a	O-ring	3.5 x 45.0	1
154b	Lip seal	TC-9012012	1
157	O-ring	5.7 x 363.0	1
157a	O-ring	5.7 x 384.0	1
157d	O-ring	3.5 x 85.0	1
157e	O-ring	3.5 x 70.0	1
165	O-ring	5.7 x 220.0	1
194	O-ring	3.1 x 16.0	1
195a	O-ring	3.1 x 16.0	1
488	O-ring	8.4 x 470.0	1

O-ring for oil plugs

Pos.	Description/Kit No	98843383	
194	O-ring	3.1 x 16.0	1
195a	O-ring	3.1 x 16.0	1

Power Lock

Pos.	Description/Kit No	98843306	
118	Power Lock	1	

Sensor Cable bush

Pos.	Description/Kit No	98843287	
250b	Rubber seal	2	
	Washer	2	

Turbulence Optimizer

Pos.	Description/Kit No	98843324		
117a	Turbulence Optimizer	1		
117b	Socket screw	10		
	Washer	20		

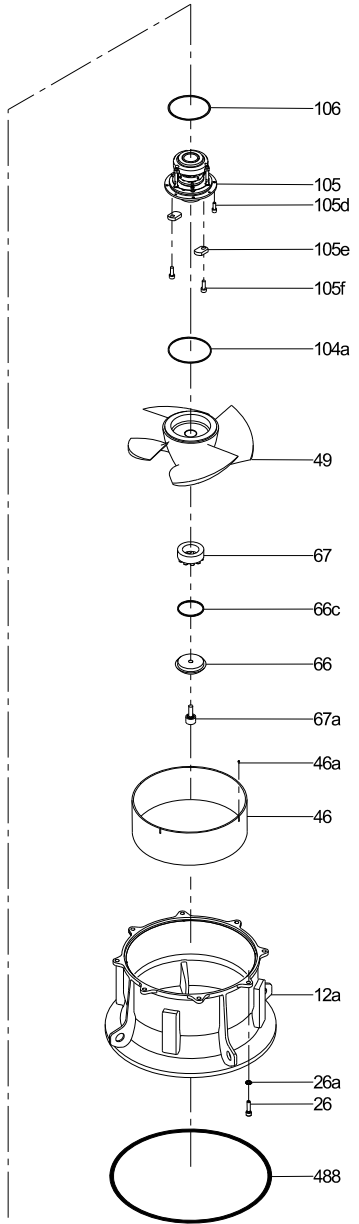
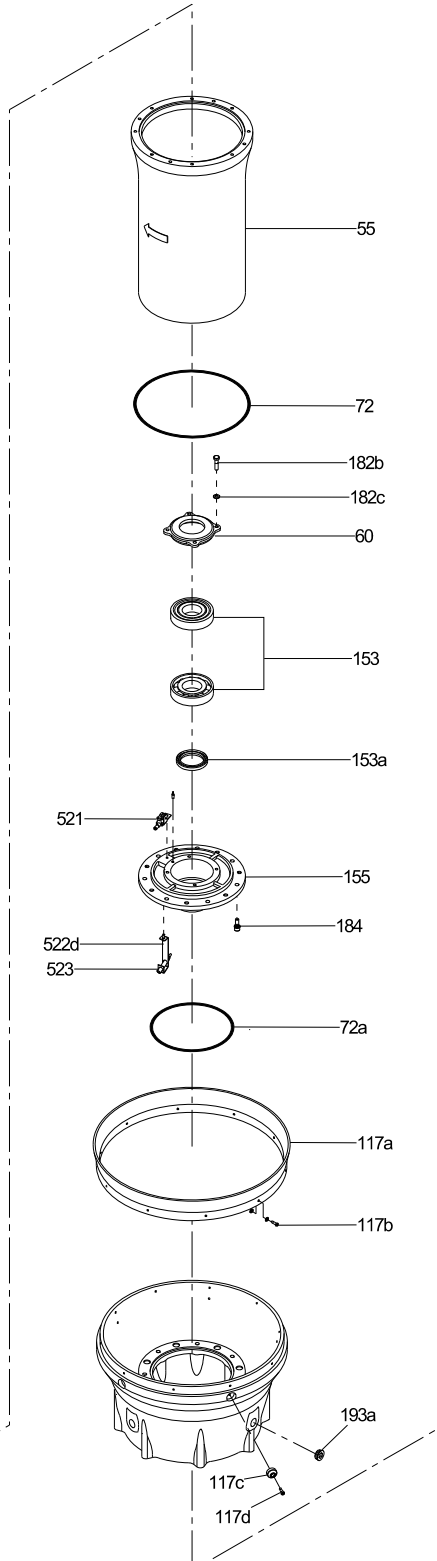
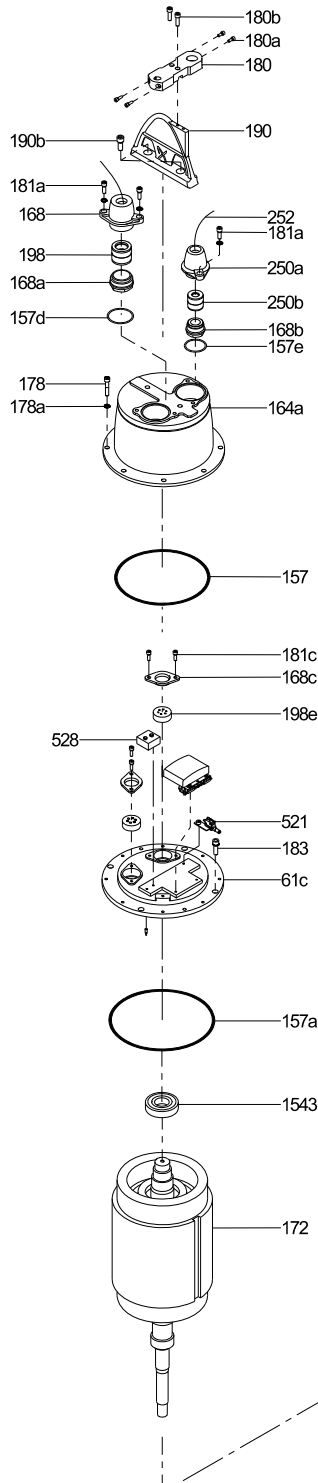
Wear ring

Pos.	Description/Kit No	98843357		
46	Wear ring	1		
46a	Screw	4		

Sensor Cable

Without cable bush

Pos.	Description	Cable diameter	Length		
			10 m	15 m	20 m
252	8 x 2.5 mm ²	23	98843218	98843240	98843262
	11 x 2.5 mm ²	23	98843219	98843241	98843263



TM063993

KPL 700**Cable**

Without cable bush

Pos.	Description	Cable diameter	Voltage	Length		
				10 m	15 m	20 m
181	3 x 25 + 1 x 16 + 4 x 1.5 mm ²	32	0.6/1 kV	98843205	98843227	98843249
	3 x 35 + 1 x 25 + 4 x 1.5 mm ²	32	0.6/1 kV	98843206	98843228	98843250
	3 x 50 + 1 x 35 + 4 x 1.5 mm ²	45	0.6/1 kV	98843207	98843229	98843251
	4 x 70 mm ²	50	0.6/1 kV	98843208	98843230	98843252
	6 x 16 + 1 x 10 + 6 x 1.5 mm ²	34	0.6/1 kV	98843190	98843222	98843244
	6 x 25 + 1 x 16 + 6 x 1.5 mm ²	42	0.6/1 kV	98843201	98843223	98843245
	6 x 35 + 1 x 25 + 6 x 1.5 mm ²	45	0.6/1 kV	98843202	98843224	98843246

Cable bush

Pos.	Cable diameter	32	34	42	45	50
		Description/Kit No	98843271	98843272	98843273	98843274
198	Rubber seal	2	2	2	2	2
	Washer	2	2	2	2	2

Cartridge Shaft seal kit

Pos.	Range	Poles		Power	
		6	55 kW	75~110 kW	
		8	22~55 kW	75 kW	
		10	19~37 kW		
	Description/Kit No	98843292	98843293		
105	Mechanical seal unit	1	1		
-	Cartridge unit	1	1		

Outlet casing protector

Pos.	Description/Kit No	98843337
117c	Outlet casing protector	5
117d	Socket screw	5

Non return valve

Pos.	Description/Kit No	98843385
196	Non return valve	1
	Nipple	1

O-ring for oil plugs

Pos.	Description/Kit No	98843384
194	O-ring	3.1 x 16.0
195a	O-ring	3.1 x 22.0

Power Lock

Pos.	Range	Poles		Power	
		6	55 kW	75~110 kW	
		8	22~55 kW	75 kW	
		10	19~37 kW		
	Description/Kit No	98843307	98843308		
118	Power Lock	1	1		

Sensor Cable bush

Pos.	Description/Kit No	98843287
250b	Rubber seal	2
	Washer	2

Turbulence Optimizer

Pos.	Description/Kit No	98843325
117a	Turbulence Optimizer	1
117b	Socket screw	10
	Washer	20

Wear ring

Pos.	Description/Kit No	98843358
46	Wear ring	1
46a	Screw	4

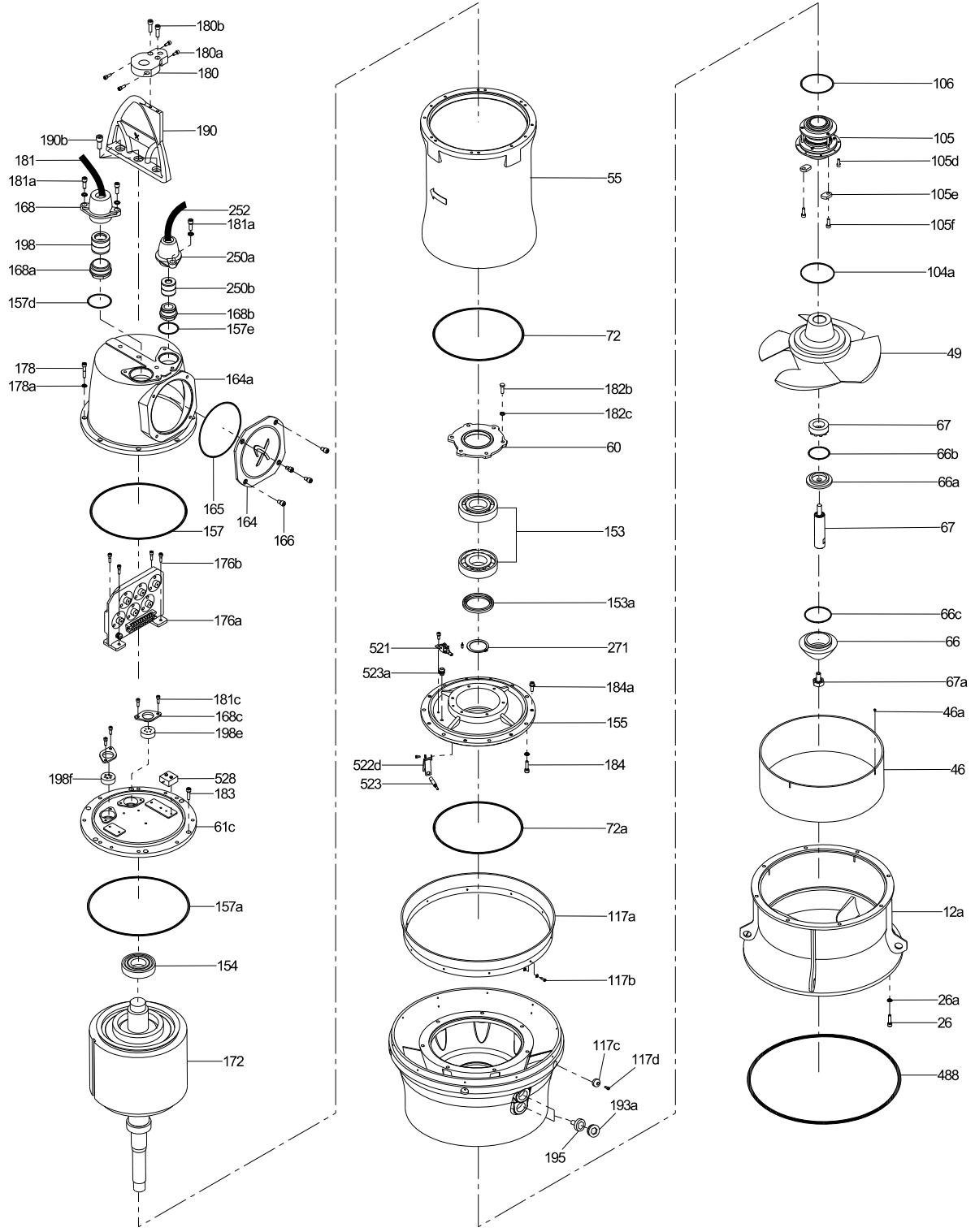
Bearing

Pos.	Range	Poles		Power	
		6	55 kW	75~110 kW	
		8	22~37 kW	45~55 kW	75 kW
		10	19~30 kW	37 kW	
	Description/Kit No	98843464	98843465	98843466	
153	Lower bearing	1	1	1	
	Lower bearing 2nd	1	1	1	
154	Upper bearing	1	1	1	
154a	Sleeve	1	1	1	
154b	Lip seal	1	1	1	
187	Circlip	1	1	1	
-	Set screw	2	2	2	

Sensor Cable

Without cable bush

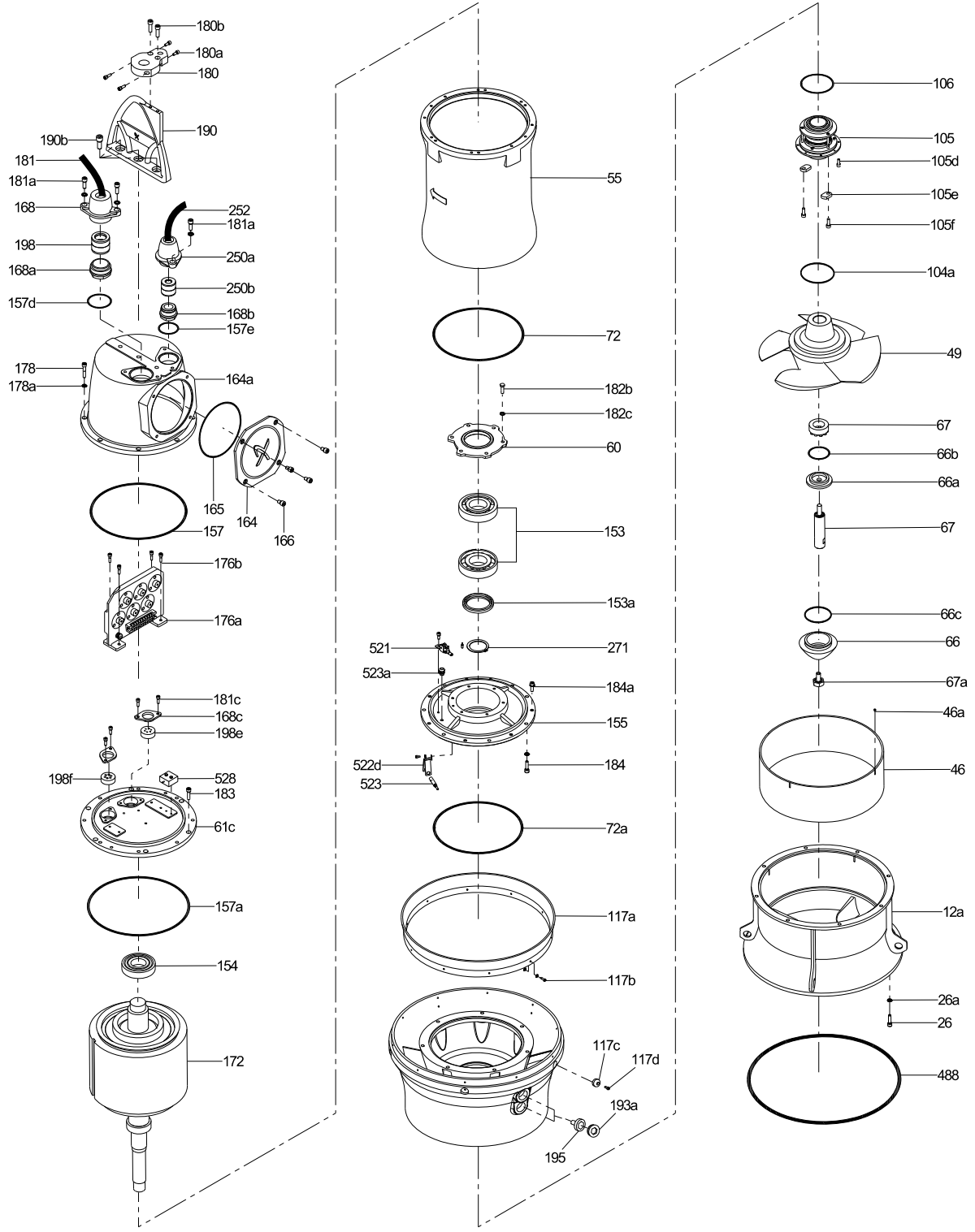
Pos.	Description	Cable diameter	Length		
			10 m	15 m	20 m
252	8 x 2.5 mm ²	23	98843218	98843240	98843262
	11 x 2.5 mm ²	23	98843219	98843241	98843263



TM063994

O-ring

Pos.	Range	Poles		Power	
		6	55 kW	75~110 kW	
		8	22~37 kW	45~55 kW	75 kW
		10	19~30 kW	37 kW	
Description/Kit No			98843390	98843391	98843392
49a	O-ring	3.5 x 70.0	1	1	-
		3.5 x 80.0	-	-	1
66b	O-ring	3.5 x 90.0	1	1	1
66c	O-ring	3.5 x 102.0	1	1	1
67b	O-ring	2.4 x 22.0	1	1	1
67c	O-ring	3.1 x 30.0	1	1	1
72	O-ring	5.7 x 370.0	1	1	1
72a	O-ring	5.7 x 355.0	1	1	1
104a	O-ring	3.5 x 70.0	1	1	-
		3.5 x 80.0	-	-	1
105b	O-ring	3.5 x 85.0	1	1	-
		3.5 x 100.0	-	-	1
105c	O-ring	3.5 x 139.0	1	1	-
		5.7 x 150.0	-	-	1
106a	O-ring	3.5 x 55.0	1	1	-
		3.5 x 65.0	-	-	1
154b	Lip seal	TC-9512013	1	1	-
		TC-10513514	-	-	1
157	O-ring	5.7 x 363.0	1	1	1
157a	O-ring	5.7 x 384.0	1	-	-
		5.7 x 414.0	-	1	1
157d	O-ring	3.5 x 85.0	1	1	1
157e	O-ring	3.5 x 70.0	1	1	1
165	O-ring	5.7 x 220.0	1	1	1
194	O-ring	3.1 x 16.0	1	1	1
195a	O-ring	3.1 x 22.0	1	1	1
488	O-ring	12.0 x 570.0	1	1	1



TM063994

KPL 800**Cable**

Without cable bush

Pos.	Description	Cable diameter	Voltage	Length		
				10 m	15 m	20 m
181	3 x 25 + 1 x 16 + 4 x 1.5 mm ²	32	0.6/1 kV	98843205	98843227	98843249
	3 x 35 + 1 x 25 + 4 x 1.5 mm ²	32	0.6/1 kV	98843206	98843228	98843250
	3 x 50 + 1 x 35 + 4 x 1.5 mm ²	45	0.6/1 kV	98843207	98843229	98843251
	4 x 70 mm ²	50	0.6/1 kV	98843208	98843230	98843252
	6 x 16 + 1 x 10 + 6 x 1.5 mm ²	34	0.6/1 kV	98843190	98843222	98843244
	6 x 25 + 1 x 16 + 6 x 1.5 mm ²	42	0.6/1 kV	98843201	98843223	98843245
	6 x 35 + 1 x 25 + 6 x 1.5 mm ²	45	0.6/1 kV	98843202	98843224	98843246

Cable bush

Pos.	Cable diameter	Description/Kit No	32	34	42	45	50
			98843271	98843272	98843273	98843274	98843275
198	Rubber seal		2	2	2	2	2
	Washer		2	2	2	2	2

Cartridge Shaft seal kit

Pos.	Range	Poles		Power	
		6	8	37~45 kW	55~90 kW
		10	30~45 kW	55 kW	
				98843292	98843293
105	Mechanical seal unit		1	1	
-	Cartridge unit		1	1	

Outlet casing protector

Pos.	Description/Kit No	98843338
117c	Outlet casing protector	6
117d	Socket screw	6

Non return valve

Pos.	Description/Kit No	98843385
196	Non return valve	1
	Nipple	1

O-ring for oil plugs

Pos.	Description/Kit No	98843384
194	O-ring 3.1 x 16.0	1
195a	O-ring 3.1 x 22.0	1

Power Lock

Pos.	Range	Poles		Power	
		6	8	37~45 kW	55~90 kW
		10	30~45 kW	55 kW	
				98843309	98843310
118	Power Lock		1	1	

Sensor Cable bush

Pos.	Description/Kit No	98843287
250b	Rubber seal	2
	Washer	2

Turbulence Optimizer

Pos.	Description/Kit No	98843326
117a	Turbulence Optimizer	1
117b	Socket screw	12
	Washer	24

Wear ring

Pos.	Description/Kit No	98843359
46	Wear ring	1
46a	Screw	4

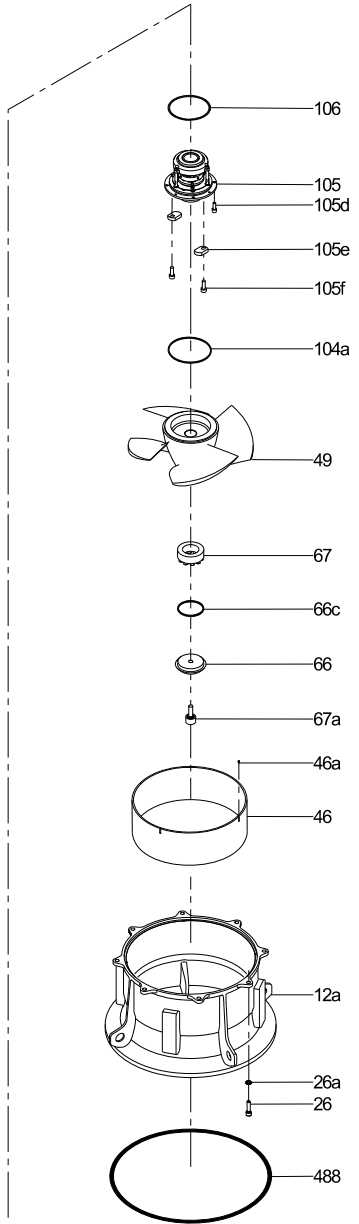
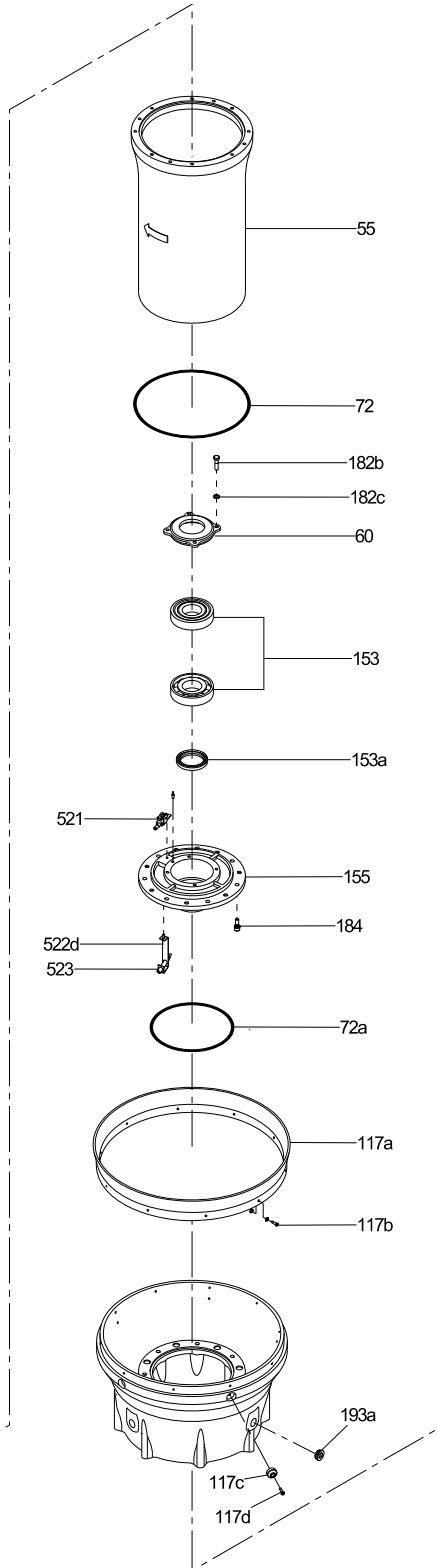
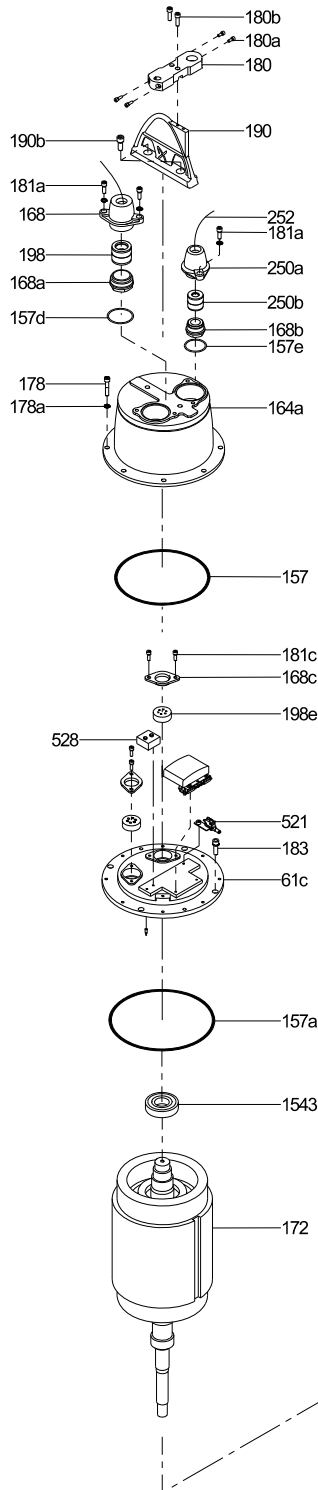
Bearing

Pos.	Range	Poles		Power		
		6	8	37 kW	45 kW	
		10	30 kW	37~45 kW	55 kW	
				98843467	98843468	98843469
153	Lower bearing	1	1	1		
	Lower bearing 2nd	1	1	1		
154	Upper bearing	1	1	1		
154a	Sleeve	1	1	1		
154b	Lip seal	1	1	1		
187	Circlip	1	1	1		
-	Set screw	2	2	2		

Sensor Cable

Without cable bush

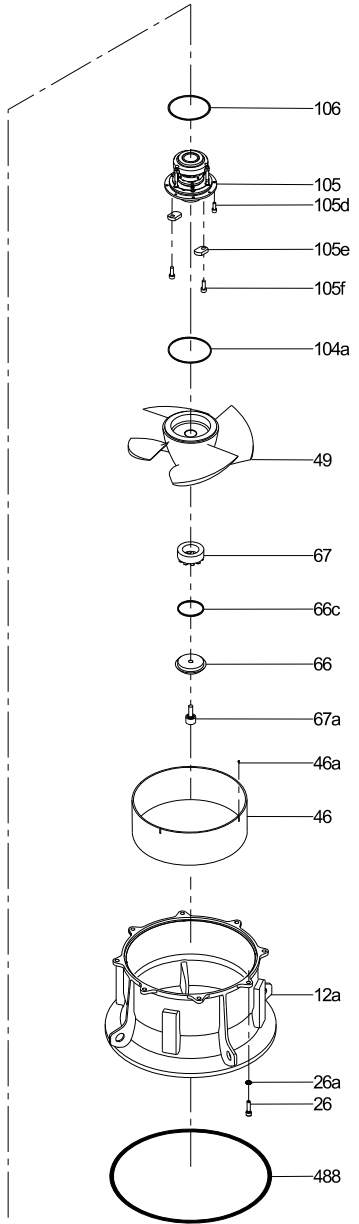
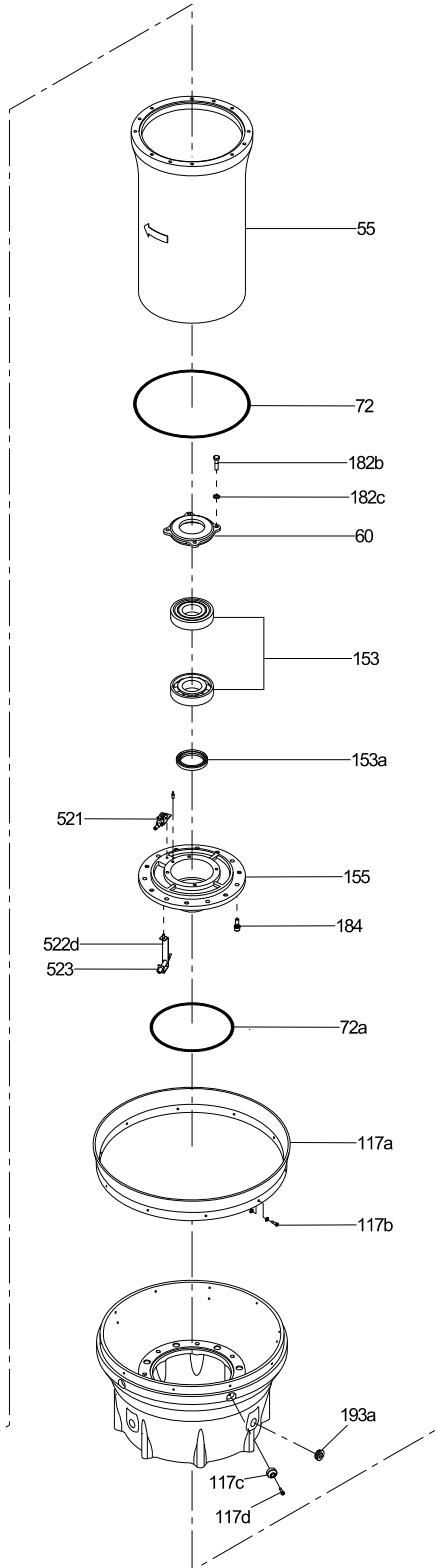
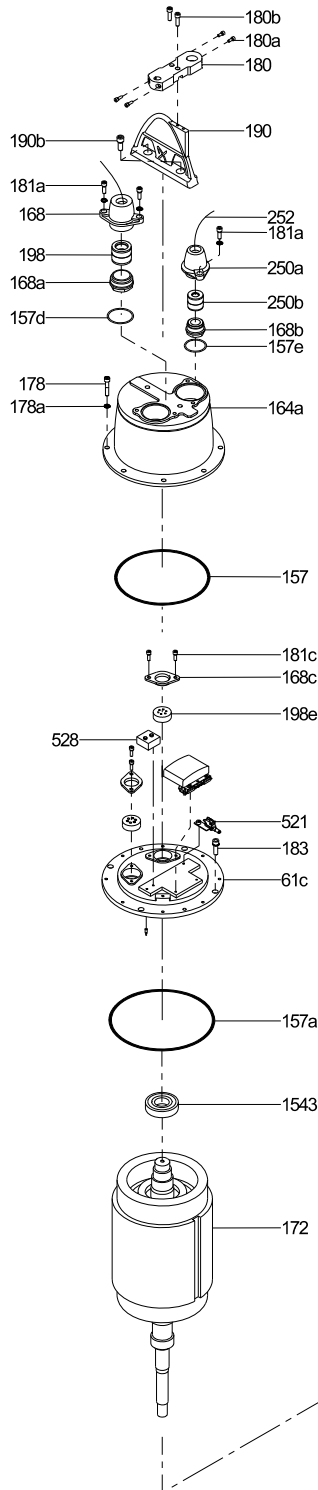
Pos.	Description	Cable diameter	Length		
			10 m	15 m	20 m
252	8 x 2.5 mm ²	23	98843218	98843240	98843262
	11 x 2.5 mm ²	23	98843219	98843241	98843263



TM063993

O-ring

Pos.	Range	Poles		Power			
		6	110 kW	8	37 kW	45 kW	55~90 kW
		10	30 kW	37~45 kW	55 kW		
	Description/Kit No		98843393	98843394	98843395		
49a	O-ring	3.5 x 70.0	1	1	-		
		3.5 x 80.0	-	-	1		
66b	O-ring	3.5 x 90.0	1	1	1		
66c	O-ring	3.5 x 112.0	1	1	1		
67c	O-ring	3.1 x 30.0	1	1	1		
67b	O-ring	2.4 x 22.0	1	1	1		
72	O-ring	5.7 x 370.0	-	1	1		
72a	O-ring	5.7 x 355.0	1	1	1		
		3.5 x 70.0	1	1	-		
104a	O-ring	3.5 x 80.0	-	-	1		
		3.5 x 85.0	1	1	-		
105b	O-ring	3.5 x 100.0	-	-	1		
		3.5 x 139.0	1	1	-		
105c	O-ring	5.7 x 150.0	-	-	1		
		3.5 x 55.0	1	1	-		
106a	O-ring	3.5 x 65.0	-	-	1		
		TC-9512013	1	1	-		
154b	Lip seal	TC-10513514	-	-	1		
157	O-ring	5.7 x 363.0	1	1	1		
		5.7 x 384.0	1	-	-		
157a	O-ring	5.7 x 414.0	-	1	1		
157d	O-ring	3.5 x 85.0	1	1	1		
157e	O-ring	3.5 x 70.0	1	1	1		
165	O-ring	5.7 x 220.0	1	1	1		
194	O-ring	3.1 x 16.0	1	1	1		
195a	O-ring	3.1 x 22.0	1	1	1		
488	O-ring	12.0 x 670.0	1	1	1		



TM063993

KPL 900**Cable**

Without cable bush

Pos.	Description	Cable diameter	Voltage	Length		
				10 m	15 m	20 m
	6 x 16 + 1 x 10 + 6 x 1.5 mm ²	34	0.6/1 kV	98843190	98843222	98843244
	6 x 25 + 1 x 16 + 6 x 1.5 mm ²	42	0.6/1 kV	98843201	98843223	98843245
	6 x 35 + 1 x 25 + 6 x 1.5 mm ²	45	0.6/1 kV	98843202	98843224	98843246
	3 x 25 + 1 x 16 + 4 x 1.5 mm ²	32	0.6/1 kV	98843205	98843227	98843249
	3 x 35 + 1 x 25 + 4 x 1.5 mm ²	32	0.6/1 kV	98843206	98843228	98843250
181	3 x 50 + 1 x 35 + 4 x 1.5 mm ²	45	0.6/1 kV	98843207	98843229	98843251
	4 x 70 mm ²	50	0.6/1 kV	98843208	98843230	98843252
	4 x 95 mm ²	56	0.6/1 kV	98843209	98843231	98843253
	4 x 120 mm ²	65	0.6/1 kV	98843210	98843232	98843254
	4 x 35 mm ²	50	3.3 kV	98843211	98843233	98843255
	4 x 35 mm ²	65	6.6 kV	98843215	98843237	98843259

Cable bush (under 55 kW)

Pos.	Cable diameter	32	34	42	45	50
		Description/Kit No	98843271	98843272	98843273	98843274
	Rubber seal	2	2	2	2	2
198	Washer	2	2	2	2	2

Cable bush (0.6/1 kV)

Pos.	Cable diameter	45	50	56	65
		Description/Kit No	98843279	98843280	98843281
	Rubber seal	2	2	2	2
198	Washer	2	2	2	2

Sensor Cable bush

Pos.	Description/Kit No	98843287
250b	Rubber seal	2
	Washer	2

Turbulence Optimizer

Pos.	Description/Kit No	98843327
117a	Turbulence Optimizer	1
117b	Socket screw	12
	Washer	24

Wear ring

Pos.	Description/Kit No	98843360
46	Wear ring	1
46a	Screw	4

Outlet casing protector

Pos.	Description/Kit No	98843339
117c	Outlet casing protector	6
117d	Socket screw	6

Non return valve

Pos.	Description/Kit No	98843385
196	Non return valve	1
	Nipple	1

Cable bush (over 3.3 kV)

Pos.	Cable diameter	50	65
		Description/Kit No	98843282
	Rubber seal	2	2
198	Washer	2	2

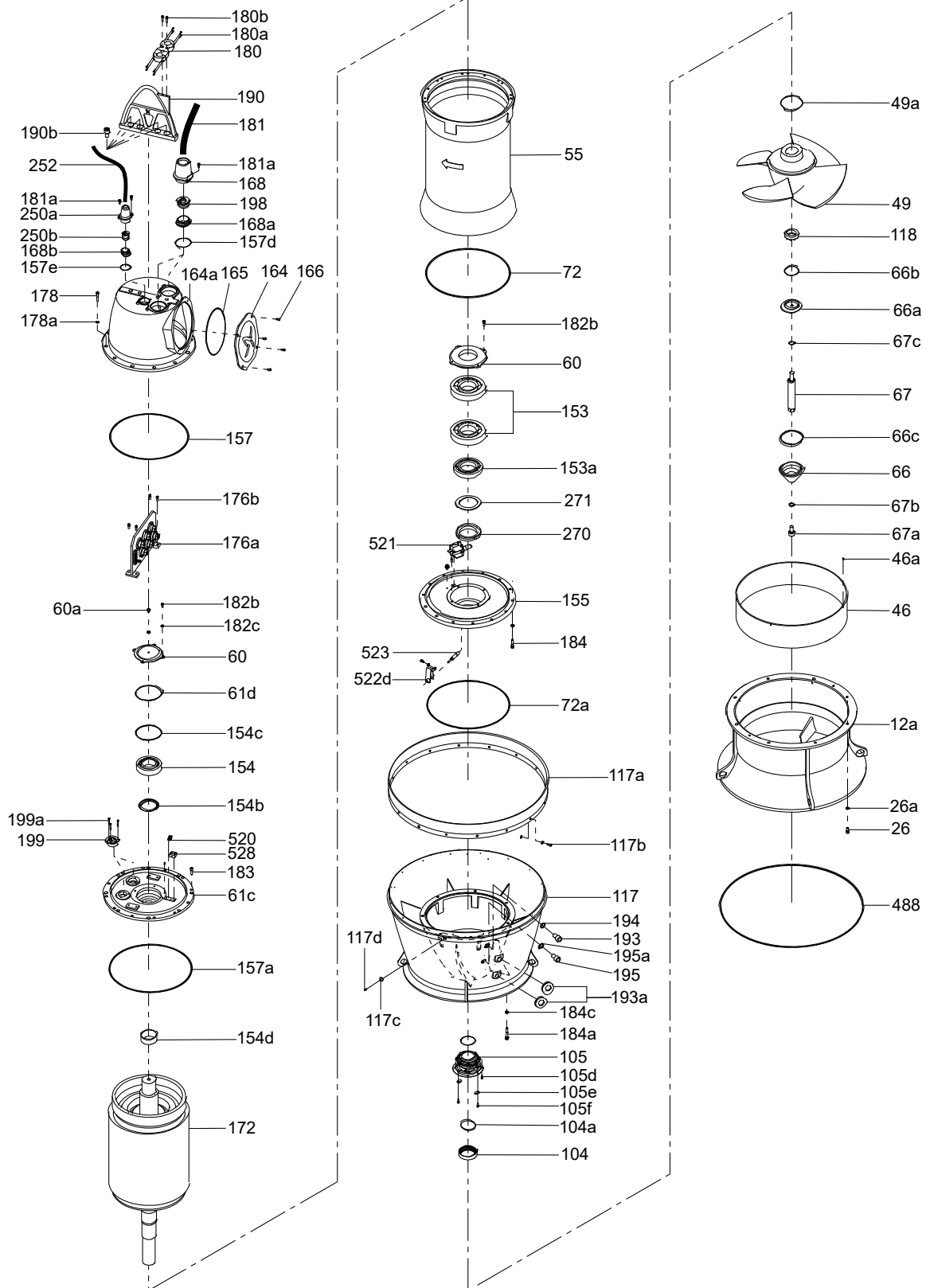
Bearing

Pos.	Range	Poles		Power	
		6	8	132~160 kW	200 kW
		10	45~55 kW	75~90 kW	
Description/Kit No		98843470	98843471	98843472	
153	Lower bearing	1	2	2	
153a	Lower bearing 2nd	1	1	1	
154	Upper bearing	1	1	1	
154a	Sleeve	1	1	1	
154b	Lip seal	1	1	1	
187	Circlip	1	-	-	
270	Bearing nut	-	1	1	
271	Bearing washer	-	1	1	
-	Set screw	2	-	-	

Sensor Cable

Without cable bush

Pos.	Description	Cable diameter	Length		
			10 m	15 m	20 m
252	8 x 2.5 mm ²	23	98843218	98843240	98843262
	11 x 2.5 mm ²	23	98843219	98843241	98843263



TM061885

O-ring

Pos.	Range	Poles			Power	
		6	132~160 kW		200 kW	
		8	110 kW		132~160 kW	
		10	45~55 kW	75~90 kW		
Description/Kit No		98843396	98843397	98843398	98843399	
49a	O-ring	3.5 x 80.0	1	-	-	-
		3.5 x 90.0	-	1	1	-
		3.5 x 100.0	-	-	-	1
61d	O-ring	5.7 x 160.0	-	1	1	1
66b	O-ring	3.5 x 109.0	1	1	1	1
66c	O-ring	3.5 x 118.0	1	1	1	1
67b	O-ring	2.4 x 22.0	1	1	1	1
67c	O-ring	3.1 x 30.0	1	1	1	1
72	O-ring	8.4 x 505.0	1	1	1	1
72a	O-ring	8.4 x 480.0	1	1	1	1
104a	O-ring	3.5 x 80.0	1	-	-	-
		3.5 x 90.0	-	1	1	-
		3.5 x 100.0	-	-	-	1
105b	O-ring	3.5 x 100.0	1	-	-	-
		3.5 x 120.0	-	1	1	1
105c	O-ring	5.7 x 150.0	1	-	-	-
		5.7 x 175.0	-	1	1	1
106a	O-ring	3.5 x 65.0	1	-	-	-
		3.5 x 75.0	-	1	1	-
		3.5 x 85.0	-	-	-	1
110a	O-ring	3.5 x 80.0	1	-	-	-
		3.5 x 90.0	-	1	1	-
		3.5 x 100.0	-	-	-	1
154b	Lip seal	TC-10513514	1	-	-	-
		TC-12014011	-	1	1	1
154c	O-ring	5.7 x 160.0	-	1	1	1
		5.7 x 363.0	1	-	-	-
157	O-ring	8.4 x 488.0	-	1	-	-
		8.4 x 508.0	-	-	1	1
		5.7 x 414.0	1	-	-	-
157a	O-ring	8.4 x 527.0	-	1	-	-
		8.4 x 552.0	-	-	1	1
157d	O-ring ⁴⁹⁾	3.5 x 85.0	1	-	-	-
		3.5 x 130.0	-	2	2	2
157e	O-ring	3.5 x 70.0	1	-	-	-
		3.5 x 80.0	-	1	1	1
165	O-ring	5.7 x 220.0	1	-	-	-
		5.7 x 280.0	-	1	1	1
194	O-ring	3.1 x 16.0	1	1	1	1
195a	O-ring	3.1 x 22.0	1	1	1	1
488	O-ring	12.0 x 670.0	1	1	1	1

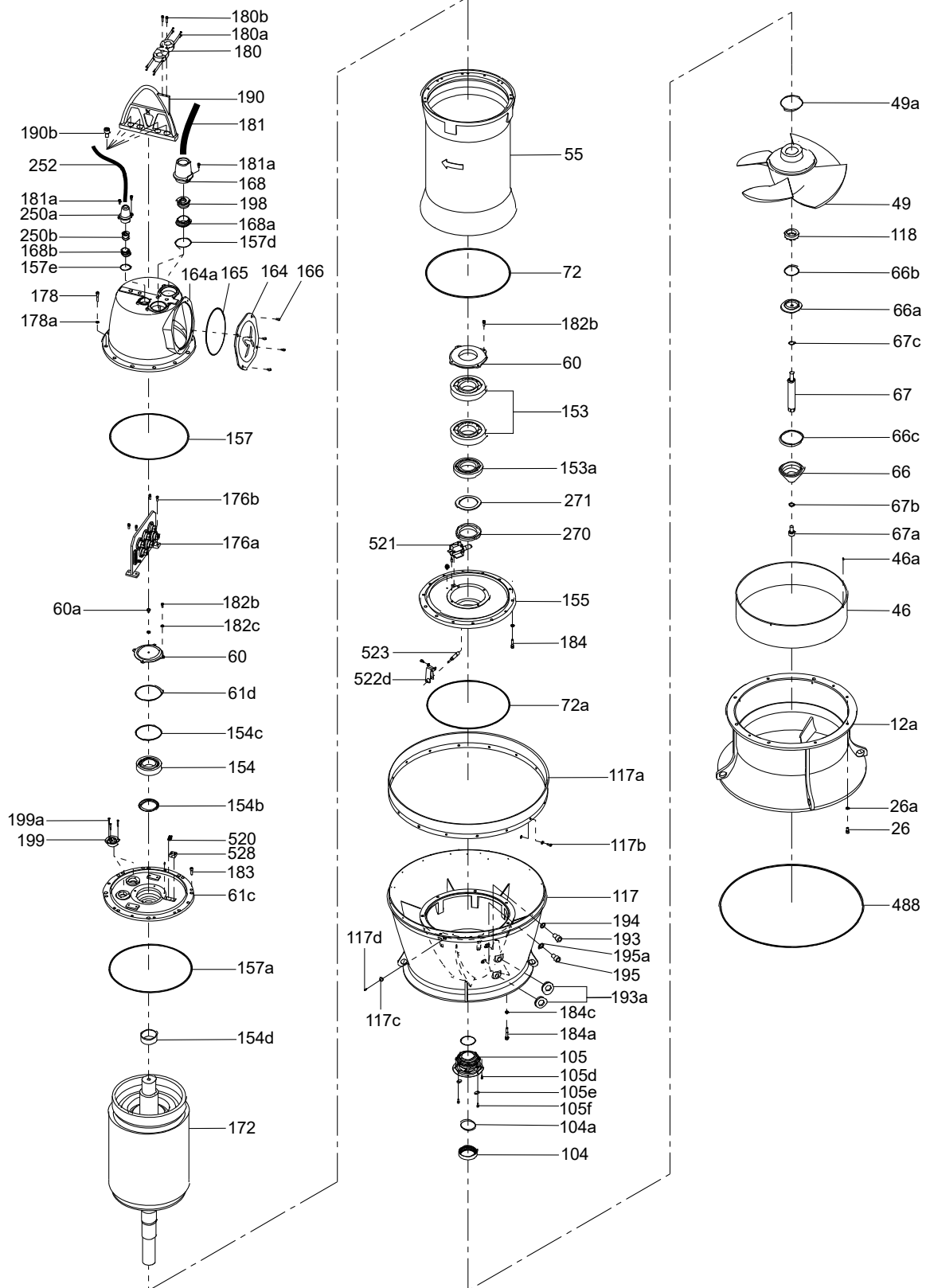
49) O-ring may be more supply.

O-ring for oil plugs

Pos.	Description/Kit No	98843384
194	O-ring 3.1 x 16.0	1
195a	O-ring 3.1 x 22.0	1

Power Lock

Pos.	Range	Poles		Power	
		6	132~160 kW		200 kW
		8	110~160 kW		
		10	45~55 kW	75~90 kW	
Description/Kit No		98843310	98843311	98843312	
118	Power Lock	1	1	1	



TM061885

KPL 1000**Bearing**

Pos.	Range	Poles		Power		
		8	132 kW	160~200 kW	250~300 kW	
		10	75~90 kW	132 kW	160 kW	200~250 kW
		12	75~90 kW	-	132~160 kW	-
	Description/Kit No		98843473	98843474	98843475	98843476
153	Lower bearing		2	2	2	2
153a	Lower bearing 2nd		1	1	1	1
154	Upper bearing		1	1	1	1
154b	Lip seal		1	1	1	1
154d	Sleeve		1	1	1	1
270	Bearing nut		1	1	1	1
271	Bearing washer		1	1	1	1

Cable

Without cable bush

Pos.	Description	Out diameter	Voltage	Length		
				10 m	15 m	20 m
	6 x 35 + 1 x 25 + 6 x 1.5 mm ²	45	0.6/1 kV	98843202	98843224	98843246
	3 x 50 + 1 x 35 + 4 x 1.5 mm ²	45	0.6/1 kV	98843207	98843229	98843251
	4 x 70 mm ²	50	0.6/1 kV	98843208	98843230	98843252
181	4 x 95 mm ²	56	0.6/1 kV	98843209	98843231	98843253
	4 x 120 mm ²	65	0.6/1 kV	98843210	98843232	98843254
	4 x 35 mm ²	50	3.3 kV	98843211	98843233	98843255
	4 x 35 mm ²	65	6.6 kV	98843215	98843237	98843259

Cable bush (0.6/1 kV)

Pos.	Cable diameter	Cable diameter			
		45	50	56	65
	Description/Kit No	98843279	98843280	98843281	98843284
198	Rubber seal	2	2	2	2
	Washer	2	2	2	2

Cable bush (over 3.3 kV)

Pos.	Cable diameter	Cable diameter	
		50	65
	Description/Kit No	98843282	98843284
198	Rubber seal	2	2
	Washer	2	2

Cartridge Shaft seal kit

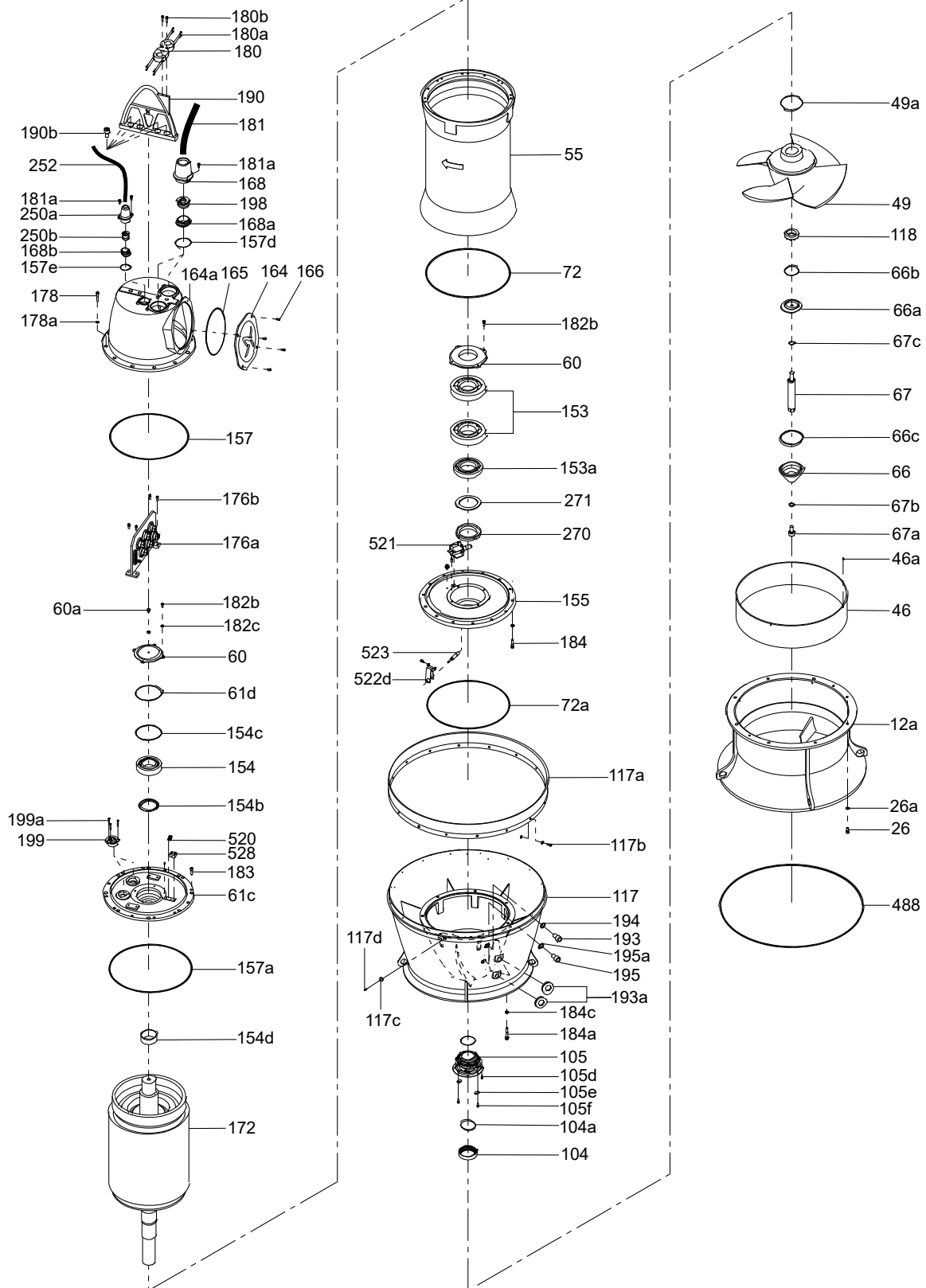
Pos.	Range	Poles		Power	
		8	132 kW	160~200 kW	250~300 kW
		10	75~90 kW	132~160 kW	200~250 kW
		12	75~90 kW	132~160 kW	
	Description/Kit No		98843294	98843295	98843297
105	Mechanical seal unit		1	1	1
-	Cartridge unit		1	1	1

Outlet casing protector

Pos.	Description/Kit No	98843340
117c	Outlet casing protector	6
117d	Socket screw	6

Non return valve

Pos.	Description/Kit No	98843385
196	Non return valve	1
	Nipple	1



TM061885

O-ring

Pos.	Range	Poles			Power		
		8	-	132 kW	160~200 kW	-	250~300 kW
		10	75~90 kW	-	132 kW	160 kW	200~250 kW
		12	75~90 kW	-	-	132~160 kW	-
Description/Kit No			98843400	98843401	98843402	98843403	98843404
49a	O-ring	3.5 x 90.0	1	1	-	-	-
		3.5 x 100.0	-	-	1	1	-
		3.5 x 110.0	-	-	-	-	1
61d	O-ring	5.7 x 160.0	1	1	1	-	-
		5.7 x 180.0	-	-	-	1	1
66b	O-ring	3.5 x 130.0	1	1	1	1	1
66c	O-ring	3.5 x 143.0	1	1	1	1	1
67b	O-ring	3.1 x 40.0	1	1	1	1	1
67c	O-ring	3.1 x 42.0	1	1	1	1	1
72	O-ring	8.4 x 505.0	1	1	1	1	1
72a	O-ring	8.4 x 480.0	1	1	1	1	1
104a	O-ring	3.5 x 90.0	1	1	-	-	-
		3.5 x 100.0	-	-	1	1	-
		3.5 x 110.0	-	-	-	-	1
105b	O-ring	3.5 x 120.0	1	1	1	1	-
		3.5 x 130.0	-	-	-	-	1
105c	O-ring	5.7 x 175.0	1	1	1	1	-
		5.7 x 190.0	-	-	-	-	1
106a	O-ring	3.5 x 75.0	1	1	-	-	-
		3.5 x 85.0	-	-	1	1	-
		3.5 x 95.0	-	-	-	-	1
154c	O-ring	5.7 x 160.0	1	1	1	-	-
		5.7 x 180.0	-	-	-	1	1
154b	Lip seal	TC-12014011	1	1	1	-	-
		TC-13516514	-	-	-	1	1
157	O-ring	8.4 x 488.0	1	-	-	-	-
		8.4 x 508.0	-	1	1	-	-
		8.4 x 605.0	-	-	-	1	1
157a	O-ring	8.4 x 527.0	1	-	-	-	-
		8.4 x 552.0	-	1	1	-	-
		8.4 x 622.0	-	-	-	1	1
157d	O-ring ⁵⁰⁾	3.5 x 130.0	2	2	2	2	2
157e	O-ring	3.5 x 80.0	1	1	1	1	1
165	O-ring	5.7 x 280.0	1	1	1	1	1
194	O-ring	3.1 x 16.0	1	1	1	1	1
195a	O-ring	3.1 x 22.0	1	1	1	1	1
488	O-ring	12.0 x 860.0	1	1	1	1	1

⁵⁰⁾ More O-rings might be supplied than the mentioned numbers.

Power Lock

Pos.	Range	Poles		Power	
		8	132 kW	160~200 kW	250~300 kW
		10	75~90 kW	132~160 kW	200~250 kW
		12	75~90 kW	132~160 kW	
Description/Kit No			98843311	98843313	98843314
118	Power Lock		1	1	1

Sensor Cable

Without cable bush

Pos.	Description	Cable diameter	Length		
			10 m	15 m	20 m
252	8 x 2.5 mm ²	23	98843218	98843240	98843262
	11 x 2.5 mm ²	23	98843219	98843241	98843263

O-ring for oil plugs

Pos.	Description/Kit No	98843384		
194	O-ring	3.1 x 16.0	1	
195a	O-ring	3.1 x 22.0	1	

Sensor Cable bush

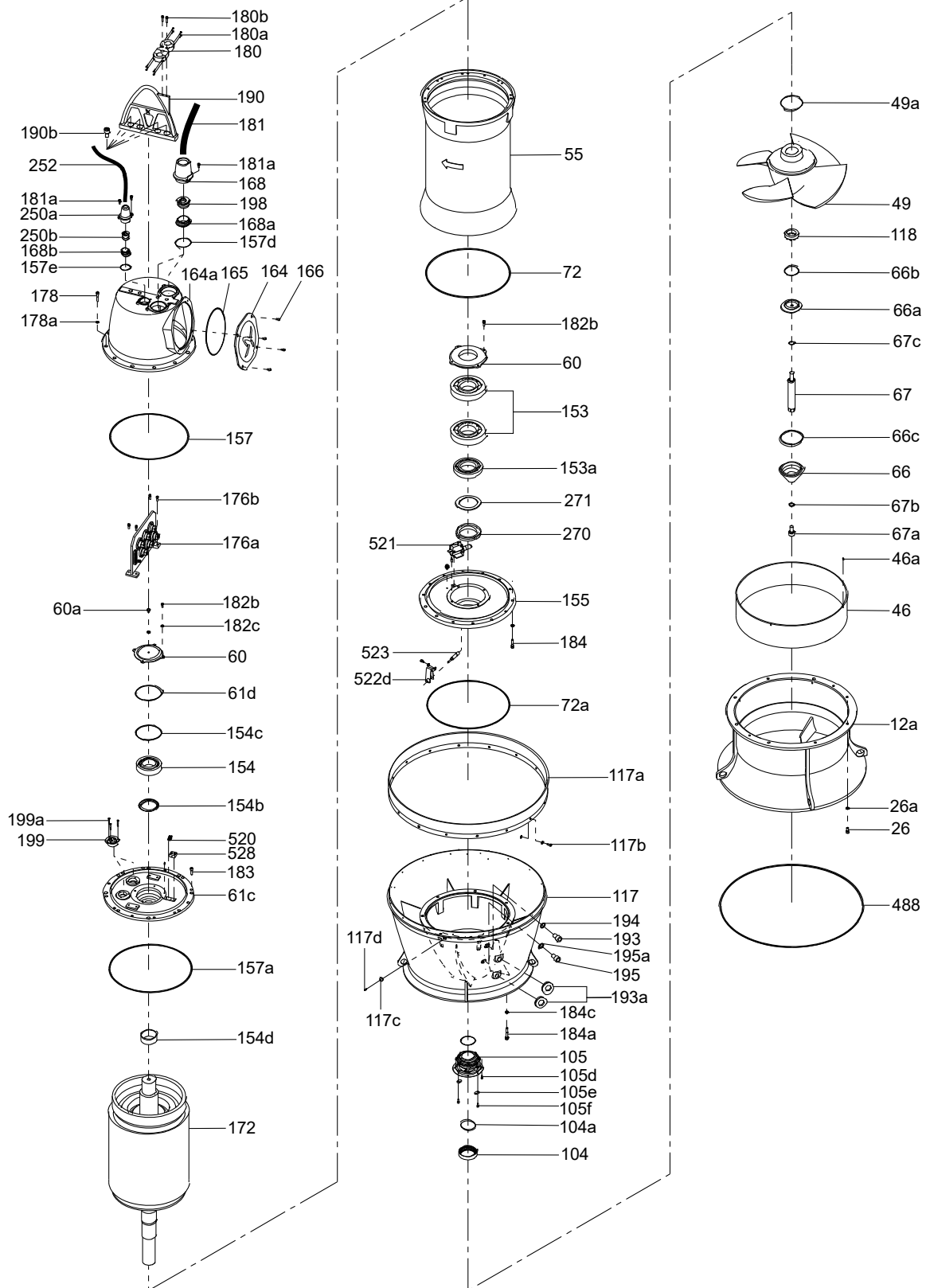
Pos.	Description/Kit No	98843287		
250b	Rubber seal	2		
	Washer	2		

Turbulence Optimizer

Pos.	Description/Kit No	98843328		
117a	Turbulence Optimizer	1		
117b	Socket screw	12		
	Washer	24		

Wear ring

Pos.	Description/Kit No	98843361		
46	Wear ring	1		
46a	Screw	4		



TM061885

KPL 1200**Cable**

Without cable bush

Pos.	Description	Out diameter	Voltage	Length		
				10 m	15 m	20 m
181	3 x 50 + 1 x 35 + 4 x 1.5 mm ²	45	0.6/1 kV	98843207	98843229	98843251
	4 x 70 mm ²	50	0.6/1 kV	98843208	98843230	98843252
	4 x 95 mm ²	56	0.6/1 kV	98843209	98843231	98843253
	4 x 120 mm ²	65	0.6/1 kV	98843210	98843232	98843254
	4 x 35 mm ²	50	3.3 kV	98843211	98843233	98843255
	4 x 50 mm ²	56	3.3 kV	98843212	98843234	98843256
	4 x 35 mm ²	65	6.6 kV	98843215	98843237	98843259

Cable bush (0.6/1 kV)

Pos.	Cable diameter	Cable diameter			
		45	50	56	65
	Description/Kit No	98843279	98843280	98843281	98843284
198	Rubber seal	2	2	2	2
	Washer	2	2	2	2

Bearing

Pos.	Range	Poles		Power	
		10	220 kW	250~300 kW	335~400 kW
		12	132~200 kW	220~250 kW	300 kW
		14	132~200 kW	250 kW	
	Description/Kit No	98843477	98843478	98843479	
153	Lower bearing	2	2	2	
153a	Lower bearing 2nd	1	1	1	
154	Upper bearing	1	1	1	
154b	Lip seal	1	1	1	
154d	Sleeve	1	1	1	
270	Bearing nut	1	1	1	
271	Bearing washer	1	1	1	

Cable bush (over 3.3 kV)

Pos.	Cable diameter	Cable diameter		
		50	56	65
	Description/Kit No	98843282	98843283	98843284
198	Rubber seal	2	2	2
	Washer	2	2	2

Cartridge Shaft seal kit

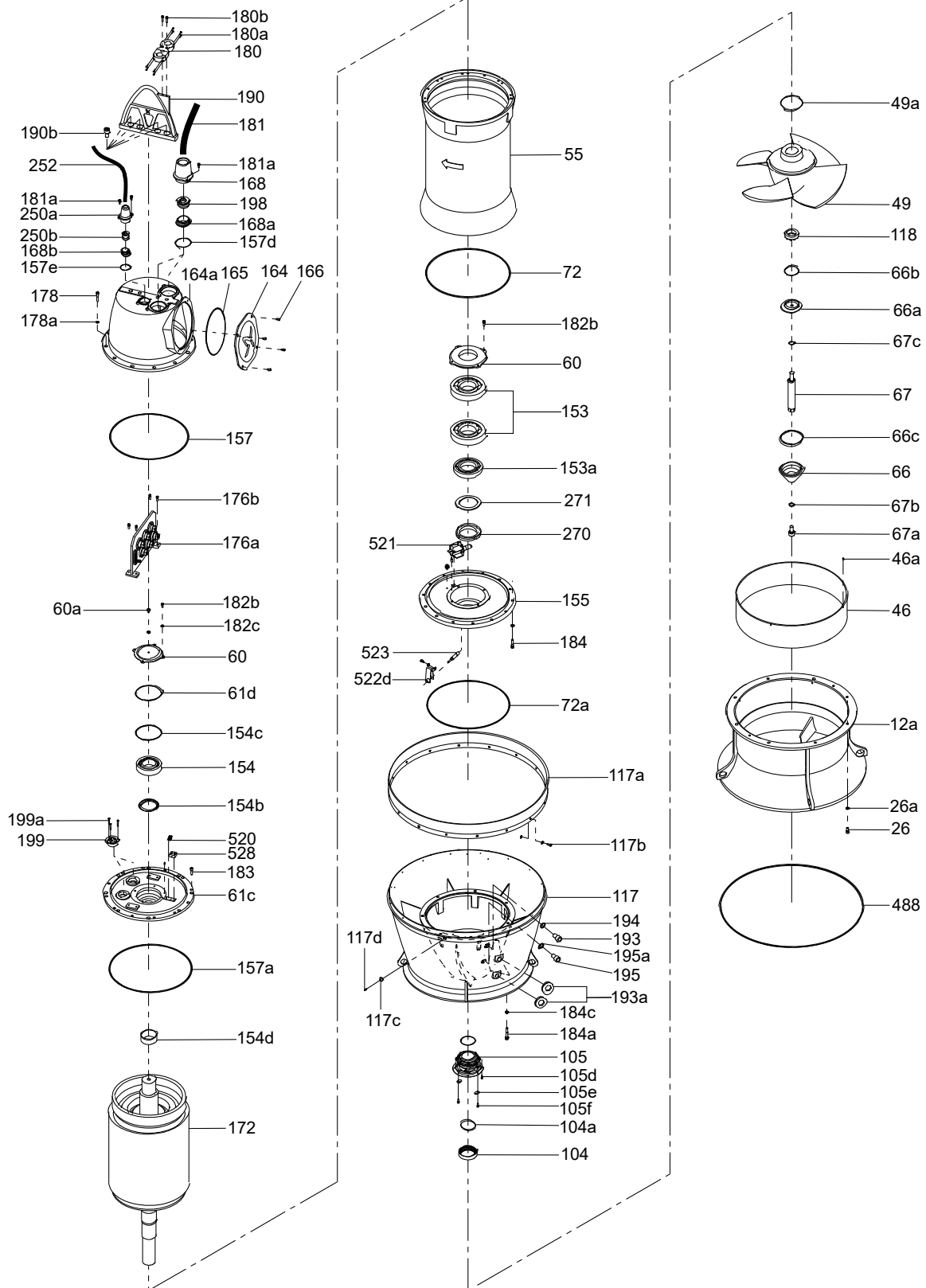
Pos.	Range	Poles		Power	
		10	220 kW	250~300 kW	335~400 kW
		12	132~200 kW	220~250 kW	300 kW
		14	132~200 kW	250 kW	
	Description/Kit No	98843297	98843298	98843299	
105	Mechanical seal unit	1	1	1	
-	Cartridge unit	1	1	1	

Outlet casing protector

Pos.	Description/Kit No	98843341
117c	Outlet casing protector	6
117d	Socket screw	6

Non return valve

Pos.	Description/Kit No	98843385
196	Non return valve	1
	Nipple	1



TM061885

O-ring

Pos.	Range	Poles			Power		
		10	220 kW	250 kW	-	300 kW	335~400 kW
		12	132~160		200 kW	220~250 kW	300 kW
		14	132 kW		160~200 kW	250 kW	
Description/Kit No		98843406	98843407	98843408	98843409	98843410	
49a	O-ring	3.5 x 110.0	1		1	-	-
		3.5 x 120.0	-	1	-	1	-
		3.5 x 130.0	-	-	-	-	1
61d	O-ring	5.7 x 180.0	1	1	1	1	1
66b	O-ring	3.5 x 155.0	1	1	1	1	1
66c	O-ring	5.7 x 185.0	1	1	1	1	1
67b	O-ring	3.1 x 40.0	1	1	1	1	1
67c	O-ring	3.1 x 42.0	1	1	1	1	1
72	O-ring	8.4 x 650.0	1	1	1	1	1
72a	O-ring	8.4 x 620.0	1	1	1	1	1
104a	O-ring	3.5 x 110.0	1		1	-	-
		3.5 x 120.0	-	1	-	1	-
		3.5 x 130.0	-	-	-	-	1
105b	O-ring	3.5 x 130.0	1	-	1	-	-
		5.7 x 150.0	-	1		1	1
105c	O-ring	5.7 x 190.0	1	-	1	-	-
		5.7 x 210.0	-	1		1	1
106a	O-ring	3.5 x 95.0	1	-	1	-	-
		3.5 x 105.0	-	1	-	1	-
		3.5 x 115.0	-	-	-	-	1
154b	Lip seal	TC-13516514	1	1	1	1	1
154c	O-ring	5.7 x 180.0	1	1	1	1	1
157	O-ring	8.4 x 605.0	1	1	-	-	-
		8.4 x 670.0	-	-	1	1	1
157a	O-ring	8.4 x 622.0	1	1	-	-	-
		8.4 x 702.0	-	-	1	1	1
157d	O-ring ⁵¹⁾	3.5 x 130.0	2	2	4	4	4
157e	O-ring	3.5 x 80.0	1	1	1	1	1
165	O-ring	5.7 x 280.0	1	1	-	-	-
		5.7 x 400.0	-	-	1	1	1
194	O-ring	3.1 x 16.0	1	1	1	1	1
195a	O-ring	3.1 x 22.0	1	1	1	1	1
488	O-ring	12.0 x 1040.0	1	1	1	1	1

51) More O-rings might be supplied than the mentioned numbers.

Power Lock

Pos.	Range	Poles		Power	
		10	220 kW	250~300 kW	335~400 kW
		12	132~200 kW	220~250 kW	300 kW
		14	132~200 kW	250 kW	
Description/Kit No		98843314	98843315	98843316	
118	Power Lock	1	1	1	

Sensor Cable

Without cable bush

Pos.	Description	Cable diameter	Length		
			10 m	15 m	20 m
252	8 x 2.5 mm ²	23	98843218	98843240	98843262
	11 x 2.5 mm ²	23	98843219	98843241	98843263

Sensor Cable bush

Pos.	Description/Kit No	98843287
250b	Rubber seal	2
	Washer	2

Turbulence Optimizer

Pos.	Description/Kit No	98843329
117a	Turbulence Optimizer	1
117b	Socket screw	12
	Washer	24

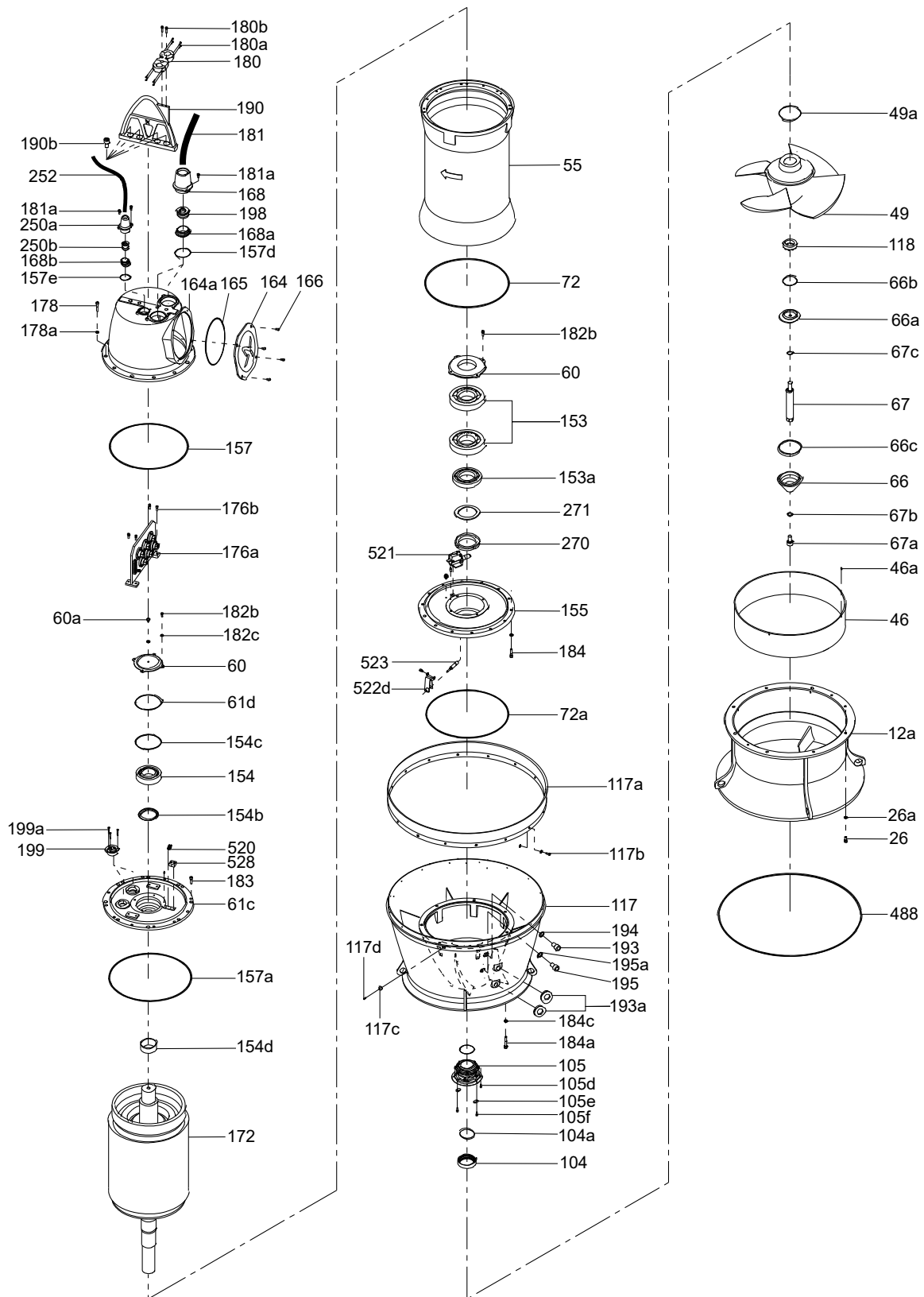
Wear ring

Pos.	Description/Kit No	98843362
46	Wear ring	1
46a	Screw	4

O-ring for oil plugs

Pos.	Description/Kit No	98843384
194	O-ring	3.1 x 16.0

Pos.	Description/Kit No	98843384
195a	O-ring	3.1 x 22.0



TM061885

KPL 1400**Bearing**

Pos.	Range	Poles		Power		
		12	220~250 kW	300 kW	350 kW	400 kW
		14	132~200 kW	250 kW	300~375 kW	450 kW
		16	132~200 kW	-	250~300 kW	-
	Description/Kit No		98843480	98843481	98843482	98843483
153	Lower bearing		2	2	2	2
153a	Lower bearing 2nd		1	1	1	1
154	Upper bearing		1	1	1	1
154b	Lip seal		1	1	1	1
154d	Sleeve		1	1	1	1
270	Bearing nut		1	1	1	1
271	Bearing washer		1	1	1	1

Cable

Without cable bush

Pos.	Description	Out diameter	Voltage	Length		
				10 m	15 m	20 m
	3 x 50 + 1 x 35 + 4 x 1.5 mm ²	45	0.6/1 kV	98843207	98843229	98843251
	4 x 70 mm ²	50	0.6/1 kV	98843208	98843230	98843252
	4 x 95 mm ²	56	0.6/1 kV	98843209	98843231	98843253
	4 x 120 mm ²	65	0.6/1 kV	98843210	98843232	98843254
181	4 x 35 mm ²	50	3.3 kV	98843211	98843233	98843255
	4 x 50 mm ²	56	3.3 kV	98843212	98843234	98843256
	4 x 70 mm ²	65	3.3 kV	98843213	98843235	98843257
	4 x 35 mm ²	65	6.6 kV	98843215	98843237	98843259
	4 x 50 mm ²	65	6.6 kV	98843216	98843238	98843260

Cable bush (0.6/1 kV)

Pos.	Cable diameter	Cable diameter			
		45	50	56	65
	Description/Kit No	98843279	98843280	98843281	98843284
198	Rubber seal	2	2	2	2
	Washer	2	2	2	2

Cable bush (over 3.3 kV)

Pos.	Cable diameter	Cable diameter		
		50	56	65
	Description/Kit No	98843282	98843283	98843284
198	Rubber seal	2	2	2
	Washer	2	2	2

Cartridge Shaft seal kit

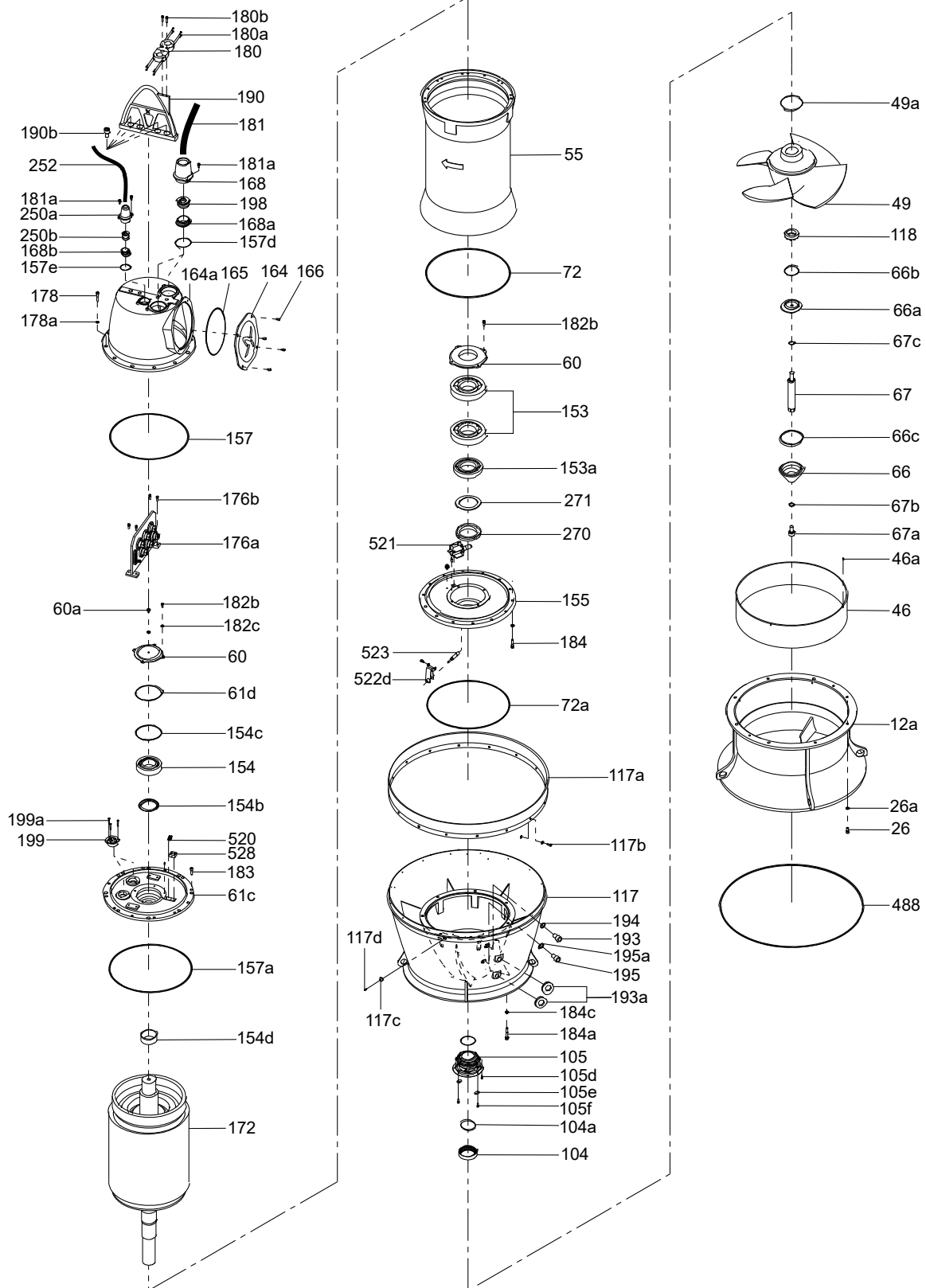
Pos.	Range	Poles		Power	
		12	220~250 kW	300~350 kW	400 kW
		14	132~200 kW	250~375 kW	450 kW
		16	132~200 kW	250~300 kW	
	Description/Kit No	98843298	98843299	98843300	
105	Mechanical seal unit	1	1	1	
-	Cartridge unit	1	1	1	

Outlet casing protector

Pos.	Description/Kit No	98843342
117c	Outlet casing protector	6
117d	Socket screw	6

Non return valve

Pos.	Description/Kit No	98843385
196	Non return valve	1
	Nipple	1



TM061885

O-ring

Pos.	Range	Poles		Power		
		12	220~250 kW	300 kW	350 kW	400 kW
		14	132~200 kW	250 kW	300~375 kW	450 kW
		16	132~200 kW	-	250~300 kW	-
Description/Kit No			98843411	98843412	98843413	98843414
49a	O-ring	3.5 x 120.0	1	-	-	-
		3.5 x 130.0	-	1	1	-
		3.5 x 140.0	-	-	-	1
61d	O-ring	5.7 x 180.0	1	1	-	-
		5.7 x 215.0	-	-	1	1
66b	O-ring	5.7 x 165.0	1	1	1	1
66c	O-ring	5.7 x 185.0	1	1	1	1
67c	O-ring	3.1 x 42.0	1	1	1	1
67b	O-ring	3.1 x 40.0	1	1	1	1
72	O-ring	8.4 x 720.0	1	1	1	1
72a	O-ring	8.4 x 710.0	1	1	1	1
104a	O-ring	3.5 x 120.0	1	-	-	-
		3.5 x 130.0	-	1	1	-
		3.5 x 140.0	-	-	-	1
105b	O-ring	5.7 x 150.0	1	1	1	-
		5.7 x 170.0	-	-	-	1
105c	O-ring	5.7 x 210.0	1	1	1	-
		5.7 x 230.0	-	-	-	1
106a	O-ring	3.5 x 105.0	1	-	-	-
		3.5 x 115.0	-	1	1	-
		3.5 x 125.0	-	-	-	1
154b	Lip seal	TC-13516514	1	1	-	-
		TC-16019014	-	-	1	1
154c	O-ring	5.7 x 180.0	1	1	-	-
		5.7 x 215.0	-	-	1	1
157	O-ring	8.4 x 670.0	1	1	-	-
		8.4 x 750.0	-	-	1	1
157a	O-ring	8.4 x 702.0	1	1	-	-
		8.4 x 782.0	-	-	1	1
157d	O-ring ⁵²⁾	3.5 x 130.0	4	4	4	4
157e	O-ring	3.5 x 80.0	1	1	1	1
165	O-ring	5.7 x 400.0	1	1	1	1
194	O-ring	3.1 x 16.0	1	1	1	1
195a	O-ring	3.1 x 22.0	1	1	1	1
488	O-ring	12.0 x 1230.0	1	1	1	1

⁵²⁾ More O-rings might be supplied than the mentioned numbers.

Power Lock

Pos.	Range	Poles		Power	
		12	220~250 kW	300~350 kW	400 kW
		14	132~200 kW	250~375 kW	450 kW
		16	132~200 kW	250~300 kW	
Description/Kit No			98843315	98843316	98843317
118	Power Lock		1	1	1

Sensor Cable

Without cable bush

Pos.	Description	Cable diameter	Length		
			10 m	15 m	20 m
252	8 x 2.5 mm ²	23	98843218	98843240	98843262
	11 x 2.5 mm ²	23	98843219	98843241	98843263

O-ring for oil plugs

Pos.	Description/Kit No	98843384		
194	O-ring	3.1 x 16.0	1	
195a	O-ring	3.1 x 22.0	1	

Sensor Cable bush

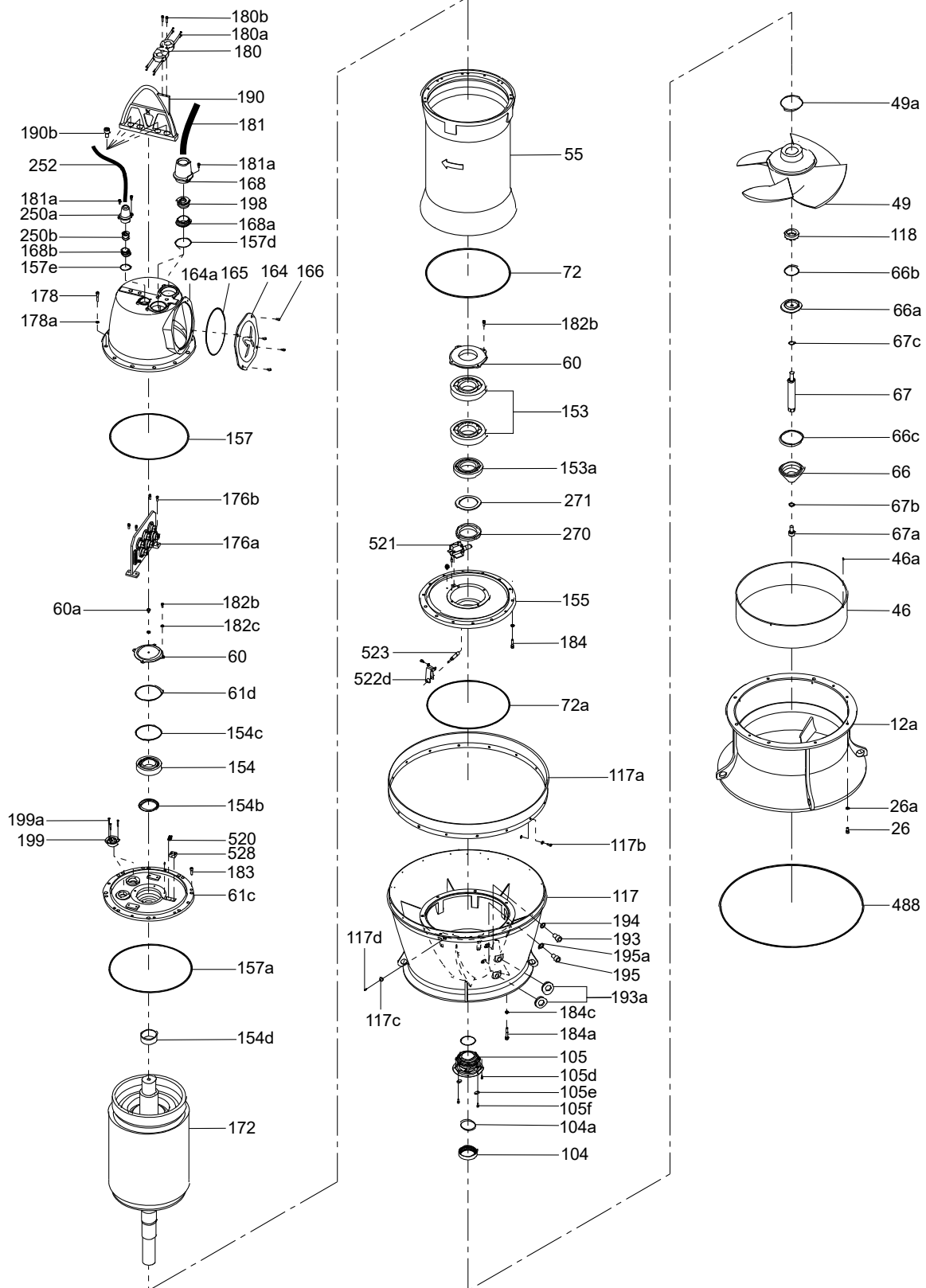
Pos.	Description/Kit No	98843287		
250b	Rubber seal	2		
	Washer	2		

Turbulence Optimizer

Pos.	Description/Kit No	98843330		
117a	Turbulence Optimizer	1		
117b	Socket screw	12		
	Washer	24		

Wear ring

Pos.	Description/Kit No	98843363		
46	Wear ring	1		
46a	Screw	4		



TM061885

KPL 1500

Bearing

Pos.	Range	Poles		Power			
		12		350~450 kW	500 kW		
		14	200~250 kW	300 kW	350~375 kW	450 kW	500~600 kW
		16	200 kW	250~300 kW	350 kW	400 kW	
Description/Kit No			98843484	98843485	98843486	98843487	98843488
153	Lower bearing		2	2	2	2	2
153a	Lower bearing 2nd		1	1	1	1	1
154	Upper bearing		1	1	1	1	1
154b	Lip seal		1	1	1	1	1
154d	Sleeve		1	1	1	1	1
270	Bearing nut		1	1	1	1	1
271	Bearing washer		1	1	1	1	1

Cable

Without cable bush

Pos.	Description	Out diameter	Voltage	Length		
				10 m	15 m	20 m
	3 x 50 + 1 x 35 + 4 x 1.5 mm ²	45.0	0.6/1 kV	98843207	98843229	98843251
	4 x 70 mm ²	50.0	0.6/1 kV	98843208	98843230	98843252
	4 x 95 mm ²	56.0	0.6/1 kV	98843209	98843231	98843253
	4 x 120 mm ²	65.0	0.6/1 kV	98843210	98843232	98843254
	4 x 35 mm ²	50.0	3.3 kV	98843211	98843233	98843255
181	4 x 50 mm ²	56.0	3.3 kV	98843212	98843234	98843256
	4 x 70 mm ²	65.0	3.3 kV	98843213	98843235	98843257
	4 x 95 mm ²	69.5	3.3 kV	98843214	98843236	98843258
	4 x 35 mm ²	65.0	6.6 kV	98843215	98843237	98843259
	4 x 50 mm ²	65.0	6.6 kV	98843216	98843238	98843260
	4 x 70 mm ²	72.0	6.6 kV	98843217	98843239	98843261

Cable bush (over 3.3 kV)

Pos.	Cable diameter	50	56	65	69.5	72
		Description/Kit No	98843282	98843283	98843284	98843285
198	Rubber seal	2	2	2	2	2
	Washer	2	2	2	2	2

Cable bush (0.6/1 kV)

Pos.	Cable diameter	45	50	56	65
		Description/Kit No	98843279	98843280	98843281
198	Rubber seal	2	2	2	2
	Washer	2	2	2	2

Cartridge Shaft seal kit

Pos.	Range	Poles		Power	
		12		350~450 kW	500 kW
		14	200~300 kW	350~375 kW	450~600 kW
		16	200~300 kW	350 kW	400 kW
Description/Kit No			98843299	98843300	98843301
105	Mechanical seal unit	1	1	1	1
-	Cartridge unit	1	1	1	1

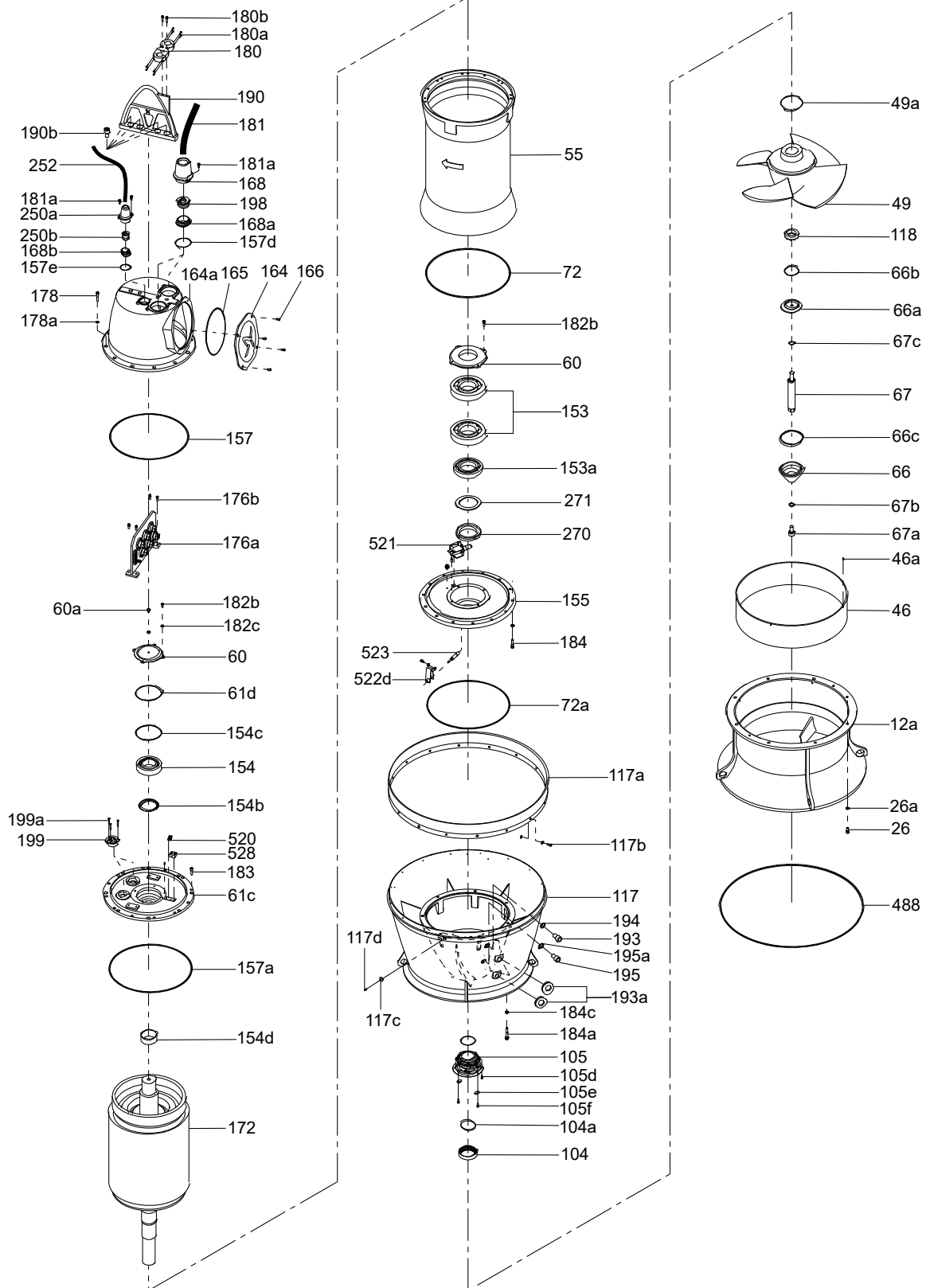
Pos.	Description/Kit No	98843343
117d	Socket screw	6

Non return valve

Pos.	Description/Kit No	98843385
196	Non return valve	1
	Nipple	1

Outlet casing protector

Pos.	Description/Kit No	98843343
117c	Outlet casing protector	6



TM061885

O-ring

Pos.	Range	Poles			Power		
		12			350~450 kW	500 kW	
		14	200~250 kW	300 kW	350~375 kW	450 kW	500~600 kW
		16	200 kW	250~300 kW	350 kW	400 kW	
Description/Kit No		98843415	98843416	98843417	98843418	98843419	
49a	O-ring	3.5 x 130.0	1	1	-	-	-
		3.5 x 140.0	-	-	1	-	-
		5.7 x 150.0	-	-	-	1	1
61d	O-ring	5.7 x 180.0	1	-	-	-	-
		5.7 x 215.0	-	1	1	1	1
66b	O-ring	5.7 x 180.0	1	1	1	1	1
66c	O-ring	5.7 x 200.0	1	1	1	1	1
67b	O-ring	3.1 x 40.0	1	1	1	1	1
67c	O-ring	3.1 x 42.0	1	1	1	1	1
157d	O-ring ⁵³⁾	3.5 x 130.0	4	4	4	4	4
157e	O-ring	3.5 x 80.0	1	1	1	1	1
165	O-ring	5.7 x 400.0	1	1	1	1	1
72	O-ring	8.4 x 820.0	1	1	1	1	1
72a	O-ring	8.4 x 810.0	1	1	1	1	1
104a	O-ring	3.5 x 130.0	1	1	-	-	-
		3.5 x 140.0	-	-	1	-	-
		5.7 x 150.0	-	-	-	1	1
105b	O-ring	5.7 x 150.0	1	1	-	-	-
		5.7 x 170.0	-	-	1	1	1
105c	O-ring	5.7 x 210.0	1	1	-	-	-
		5.7 x 230.0	-	-	1	1	1
106a	O-ring	3.5 x 115.0	1	1	-	-	-
		3.5 x 125.0	-	-	1	-	-
		3.5 x 135.0	-	-	-	1	1
154b	Lip seal	TC-13516514	1	-	-	-	-
		TC-16019014	-	1	1	1	1
154c	O-ring	5.7 x 180.0	1	-	-	-	-
		5.7 x 215.0	-	1	1	1	1
157	O-ring	8.4 x 670.0	1	-	-	-	-
		8.4 x 750.0	-	1	1	1	-
		8.4 x 850.0	-	-	-	-	1
157a	O-ring	8.4 x 702.0	1	-	-	-	-
		8.4 x 782.0	-	1	1	1	-
		8.4 x 882.0	-	-	-	-	1
194	O-ring	3.1 x 16.0	1	1	1	1	1
195a	O-ring	3.1 x 22.0	1	1	1	1	1
488	O-ring	12.0 x 1330.0	1	1	1	1	1

⁵³⁾ More O-rings might be supplied than the mentioned numbers.

Power Lock

Pos.	Range	Poles		Power	
		12	-	350~450 kW	500 kW
		14	200~300 kW	350~375 kW	450~600 kW
		16	200~300 kW	350 kW	400 kW
Description/Kit No		98843316	98843317	98843318	
118	Power Lock	1	1	1	

Sensor Cable

Without cable bush

Pos.	Description	Cable diameter	Length		
			10 m	15 m	20 m
252	8 x 2.5 mm ²	23	98843218	98843240	98843262
	11 x 2.5 mm ²	23	98843219	98843241	98843263

Sensor Cable bush

Pos.	Description/Kit No	98843287
250b	Rubber seal	2
	Washer	2

O-ring for oil plugs

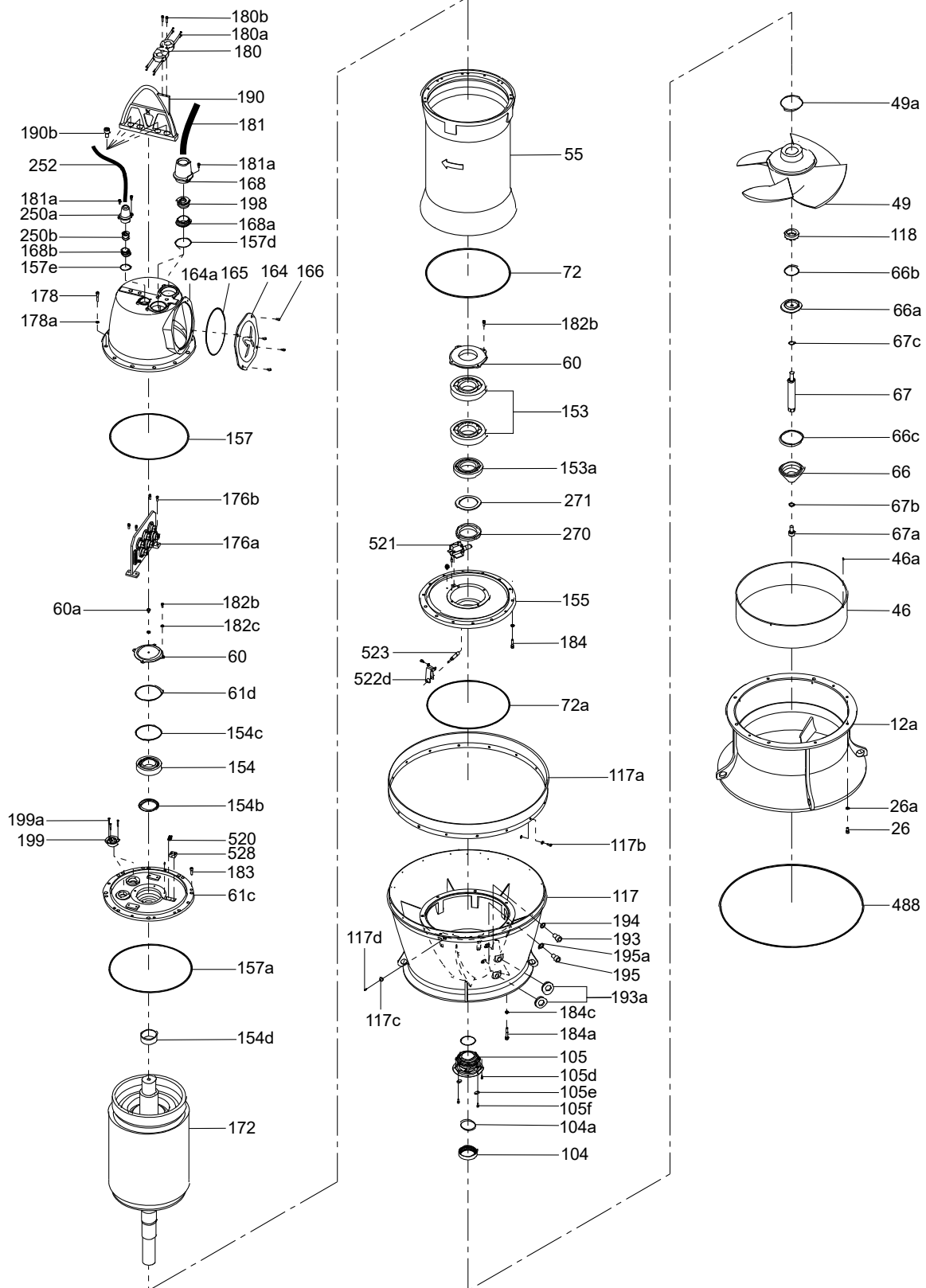
Pos.	Description/Kit No	98843384
194	O-ring	3.1 x 16.0 1
195a	O-ring	3.1 x 22.0 1

Turbulence Optimizer

Pos.	Description/Kit No	98843331
117a	Turbulence Optimizer	1
117b	Socket screw	12
	Washer	24

Wear ring

Pos.	Description/Kit No	98843364
46	Wear ring	1
46a	Screw	4



TM061885

KWM 600**Cable**

Without cable bush

Pos.	Description	Cable diameter	Voltage	Length		
				10 m	15 m	20 m
181	3 x 25 + 1 x 16 + 4 x 1.5 mm ²	32	0.6/1 kV	98843205	98843227	98843249
	3 x 35 + 1 x 25 + 4 x 1.5 mm ²	32	0.6/1 kV	98843206	98843228	98843250
	3 x 50 + 1 x 35 + 4 x 1.5 mm ²	45	0.6/1 kV	98843207	98843229	98843251
	4 x 70 mm ²	50	0.6/1 kV	98843208	98843230	98843252
	6 x 16 + 1 x 10 + 6 x 1.5 mm ²	34	0.6/1 kV	98843190	98843222	98843244
	6 x 25 + 1 x 16 + 6 x 1.5 mm ²	42	0.6/1 kV	98843201	98843223	98843245
	6 x 35 + 1 x 25 + 6 x 1.5 mm ²	45	0.6/1 kV	98843202	98843224	98843246

Cable bush

Pos.	Cable diameter Description/Kit No	32	34	42	45	50
		98843271	98843272	98843273	98843274	98843275
198	Rubber seal	2	2	2	2	2
	Washer	2	2	2	2	2

Bearing

Pos.	Range	Poles	Power
		4	37~65 kW
		6	30~45 kW
	Description/Kit No	98843489	
153	Lower bearing	1	
	Lower bearing 2nd	1	
154	Upper bearing	1	
154a	Sleeve	1	
154b	Lip seal	1	
187	Circlip	1	
-	Set screw	2	

Cartridge Shaft seal kit

Pos.	Description/Kit No	98843292
105	Mechanical seal unit	1
-	Cartridge unit	1

Outlet casing protector

Pos.	Description/Kit No	98843346
117c	Outlet casing protector	6
117d	Socket screw	6

O-ring for oil plugs

Pos.	Description/Kit No	98843383
194	O-ring 3.1 x 16.0	1
195a	O-ring 3.1 x 16.0	1

Power Lock

Pos.	Description/Kit No	98843307
118	Power Lock	1

Sensor Cable bush

Pos.	Description/Kit No	98843287
250b	Rubber seal	2
	Washer	2

Turbulence Optimizer

Pos.	Description/Kit No	98843323
117a	Turbulence Optimizer	1
117b	Socket screw	10
	Washer	20

Wear ring

Pos.	Description/Kit No	Pressure	
		M	H
		98843367	98843368
46	Wear ring	1	1
46a	Screw	4	4

O-ring

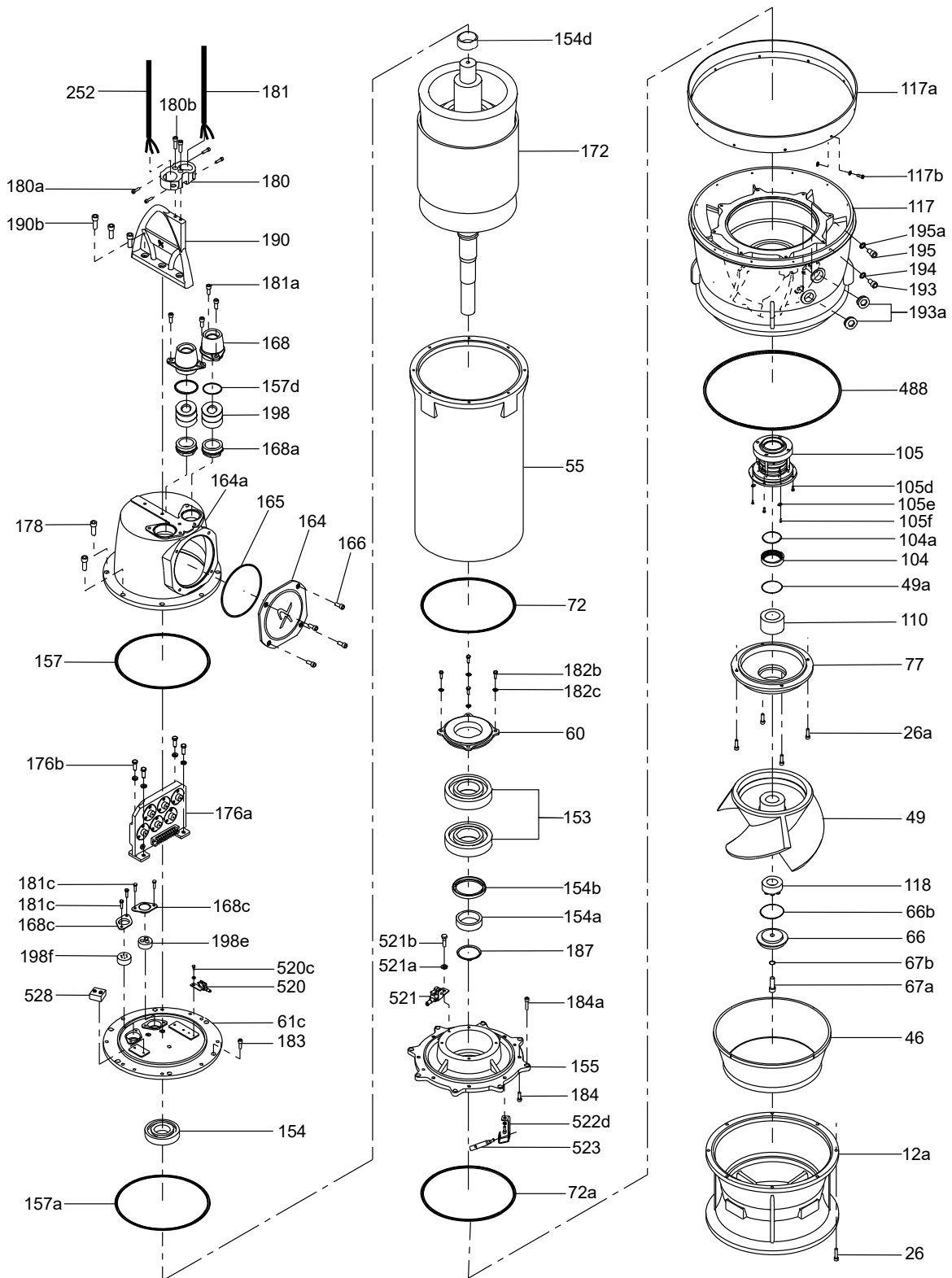
Pos.	Description/Kit No		98843431
49a	O-ring	3.5 x 70.0	1
66b	O-ring	3.5 x 74.0	1
67b	O-ring	2.4 x 16.0	1
72	O-ring	5.7 x 340.0	1
72a	O-ring	5.7 x 335.0	1
104a	O-ring	3.5 x 70.0	1
105b	O-ring	3.5 x 85.0	1
105c	O-ring	3.5 x 139.0	1
106a	O-ring	3.5 x 55.0	1
110a	O-ring ⁵⁴⁾	3.5 x 70.0	1
154b	Lip seal	TC-9012012	1
157	O-ring	5.7 x 363.0	1
157a	O-ring	5.7 x 384.0	1
157d	O-ring	3.5 x 85.0	1
157e	O-ring	3.5 x 70.0	1
165	O-ring	5.7 x 220.0	1
194	O-ring	3.1 x 16.0	1
195a	O-ring	3.1 x 16.0	1
488	O-ring	8.4 x 470.0	1

⁵⁴⁾ More O-rings might be supplied than the mentioned numbers.

Sensor Cable

Without cable bush

Pos.	Description	Cable diameter	Length		
			10 m	15 m	20 m
252	8 x 2.5 mm ²	23	98843218	98843240	98843262
	11 x 2.5 mm ²	23	98843219	98843241	98843263



TM060239

KWM 700**Cable**

Without cable bush

Pos.	Description	Cable diameter	Voltage	Length		
				10 m	15 m	20 m
181	3 x 25 + 1 x 16 + 4 x 1.5 mm ²	32	0.6/1 kV	98843205	98843227	98843249
	3 x 35 + 1 x 25 + 4 x 1.5 mm ²	32	0.6/1 kV	98843206	98843228	98843250
	3 x 50 + 1 x 35 + 4 x 1.5 mm ²	45	0.6/1 kV	98843207	98843229	98843251
	4 x 70 mm ²	50	0.6/1 kV	98843208	98843230	98843252
	6 x 16 + 1 x 10 + 6 x 1.5 mm ²	34	0.6/1 kV	98843190	98843222	98843244
	6 x 25 + 1 x 16 + 6 x 1.5 mm ²	42	0.6/1 kV	98843201	98843223	98843245
	6 x 35 + 1 x 25 + 6 x 1.5 mm ²	45	0.6/1 kV	98843202	98843224	98843246

Cable bush

Pos.	Cable diameter	Description/Kit No	32	34	42	45	50
			98843271	98843272	98843273	98843274	98843275
198	Rubber seal		2	2	2	2	2
	Washer	2	2	2	2	2	

Bearing

Pos.	Range	Poles		Power	
		4	75 kW	90~110 kW	75~90 kW
		6	37~55 kW	75~90 kW	
		8	37 kW	45~55 kW	75 kW
	Description/Kit No	98843490	98843491	98843492	
153	Lower bearing	1	1	1	
	Lower bearing 2nd	1	1	1	
154	Upper bearing	1	1	1	
154a	Sleeve	1	1	1	
154b	Lip seal	1	1	1	
187	Circlip	1	1	1	
-	Set screw	2	2	2	

Cartridge Shaft seal kit

Pos.	Range	Poles		Power	
		4	75 kW	90~110 kW	75~90 kW
		6	37~55 kW	75~90 kW	
		8	37~55 kW	75 kW	
	Description/Kit No	98843292	98843293		
105	Mechanical seal unit	1	1		

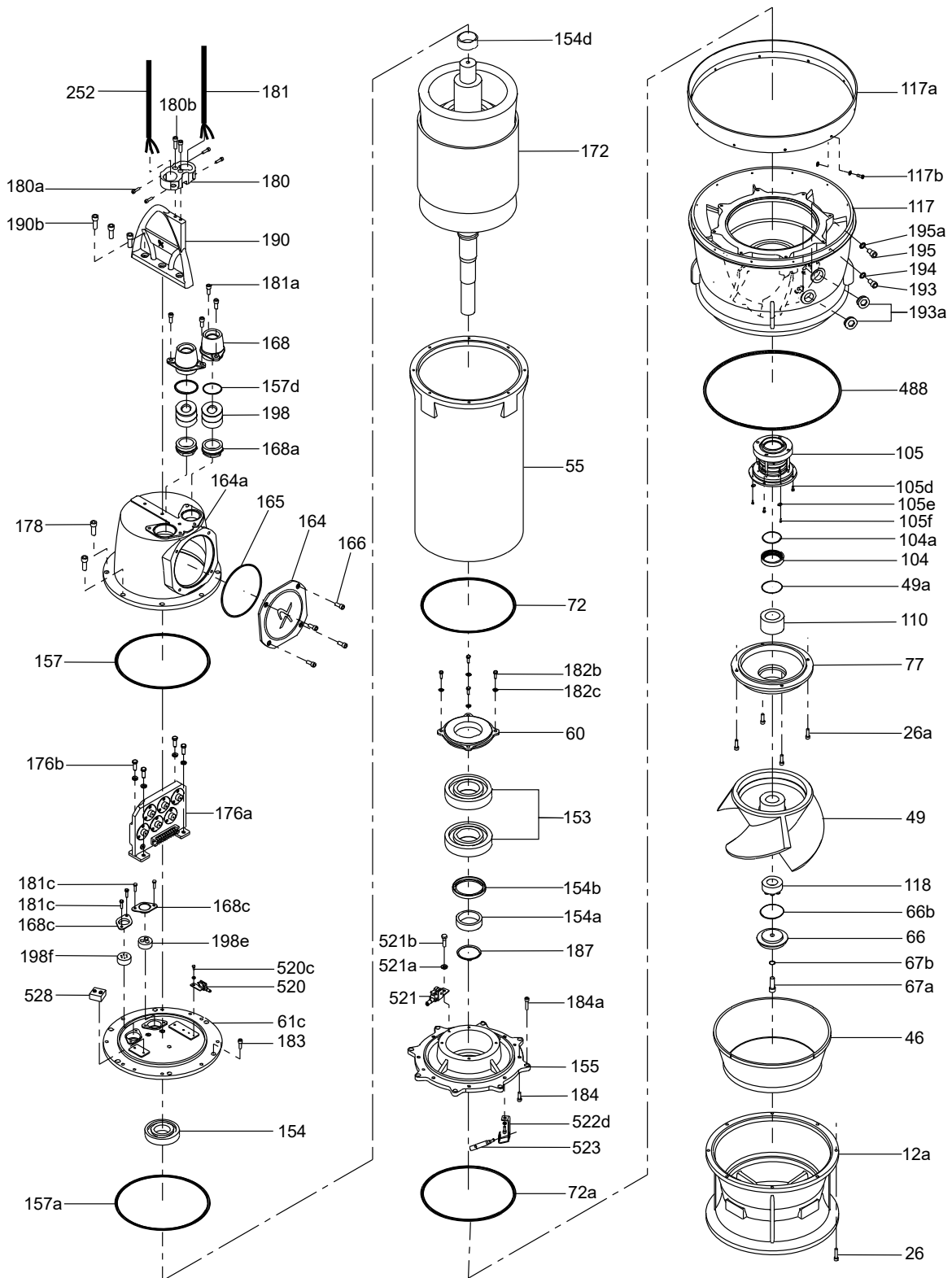
Pos.	Range	Poles		Power	
		4	75 kW	90~110 kW	75~90 kW
		6	37~55 kW	75~90 kW	
		8	37~55 kW	75 kW	
	Description/Kit No	98843292	98843293		
-	Cartridge unit	1	1		

Outlet casing protector

Pos.	Description/Kit No	98843347
117c	Outlet casing protector	6
117d	Socket screw	6

Non return valve

Pos.	Description/Kit No	98843385
196	Non return valve	1
	Nipple	1



TM060239

O-ring

Pos.	Range	Poles		Power	
		4	75 kW	90~110 kW	
		6	37~55 kW	75~90 kW	
Description/Kit No		8	37 kW	45~55 kW	98843434
49a	O-ring	3.5 x 70.0	1	1	-
		3.5 x 80.0	-	-	1
66b	O-ring	3.5 x 84.0	1	1	1
67b	O-ring	2.4 x 22.0	1	1	1
72	O-ring	5.7 x 370.0	1	1	1
72a	O-ring	5.7 x 355.0	1	1	1
104a	O-ring	3.5 x 70.0	1	1	-
		3.5 x 80.0	-	-	1
105b	O-ring	3.5 x 85.0	1	1	-
		3.5 x 100.0	-	-	1
105c	O-ring	3.5 x 139.0	1	1	-
		5.7 x 150.0	-	-	1
106a	O-ring	3.5 x 55.0	1	1	-
		3.5 x 65.0	-	-	1
110a	O-ring ⁵⁵⁾	3.5 x 70.0	1	1	-
		3.5 x 80.0	-	-	1
154b	Lip seal	TC-9512013	1	1	-
		TC-10513514	-	-	1
157	O-ring	5.7 x 363.0	1	1	1
157a	O-ring	5.7 x 384.0	1	-	-
		5.7 x 414.0	-	1	1
157d	O-ring	3.5 x 85.0	1	1	1
157e	O-ring	3.5 x 70.0	1	1	1
165	O-ring	5.7 x 220.0	1	1	1
194	O-ring	3.1 x 16.0	1	1	1
195a	O-ring	3.1 x 22.0	1	1	1
488	O-ring	12.0 x 570.0	1	1	1

⁵⁵⁾ More O-rings might be supplied than the mentioned numbers.

O-ring for oil plugs

Pos.	Description/Kit No	98843384
194	O-ring 3.1 x 16.0	1
195a	O-ring 3.1 x 22.0	1

Power Lock

Pos.	Range	Poles		Power	
		4	75 kW	90~110 kW	
		6	37~55 kW	75~90 kW	
Description/Kit No		8	37~55 kW	75 kW	
Description/Kit No		98843309	98843310		
118	Power Lock	1	1		

Sensor Cable bush

Pos.	Description/Kit No	98843287
250b	Rubber seal	2
	Washer	2

Turbulence Optimizer

Pos.	Description/Kit No	98843325
117a	Turbulence Optimizer	1
117b	Socket screw	10
	Washer	20

Wear ring

Pos.	Description/Kit No	Pressure		
		M ₁ ⁵⁶⁾	M ₂ ⁵⁷⁾	H
Description/Kit No		98843369	98843370	98843371
46	Wear ring	1	1	1
46a	Screw	4	4	4

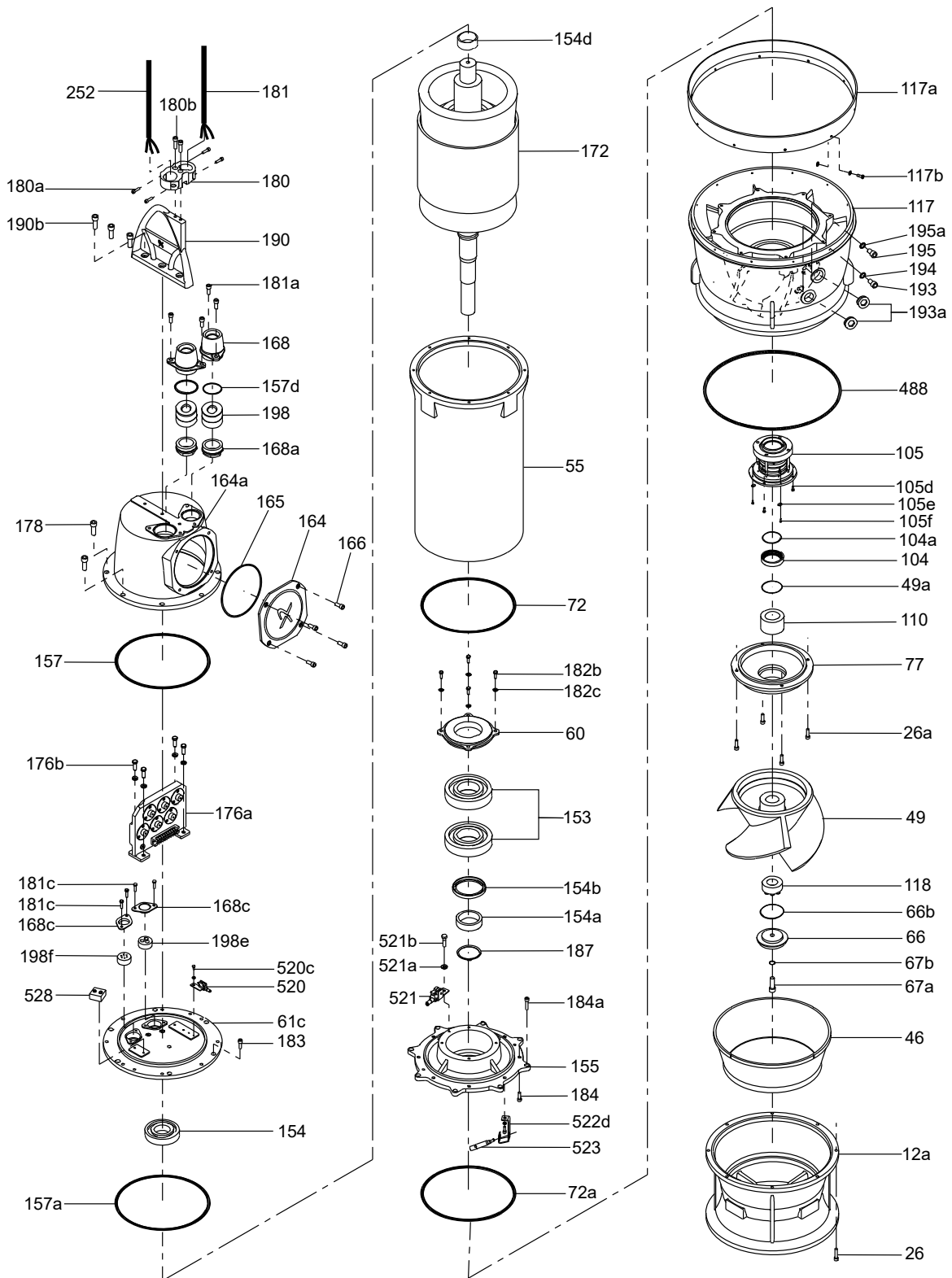
⁵⁶⁾ M₁ = impeller dia.455~445

⁵⁷⁾ M₂ = impeller dia.435~410

Sensor Cable

Without cable bush

Pos.	Description	Cable diameter	Length		
			10 m	15 m	20 m
252	8 x 2.5 mm ²	23	98843218	98843240	98843262
	11 x 2.5 mm ²	23	98843219	98843241	98843263



TM060239

KWM 800**Cable**

Without cable bush

Pos.	Description	Cable diameter	Voltage	Length		
				10 m	15 m	20 m
181	3 x 35 + 1 x 25 + 4 x 1.5 mm ²	32	0.6/1 kV	98843206	98843228	98843250
	3 x 50 + 1 x 35 + 4 x 1.5 mm ²	45	0.6/1 kV	98843207	98843229	98843251
	4 x 70 mm ²	50	0.6/1 kV	98843208	98843230	98843252
	4 x 95 mm ²	56	0.6/1 kV	98843209	98843231	98843253
	4 x 120 mm ²	65	0.6/1 kV	98843210	98843232	98843254
	6 x 25 + 1 x 16 + 6 x 1.5 mm ²	42	0.6/1 kV	98843201	98843223	98843245
	6 x 35 + 1 x 25 + 6 x 1.5 mm ²	45	0.6/1 kV	98843202	98843224	98843246
	4 x 35 mm ²	50	3.3 kV	98843211	98843233	98843255
	4 x 35 mm ²	65	6.6 kV	98843215	98843237	98843259

Cable bush (90~110 kW 6P, 75~90 kW 8P)

Pos.	Cable diameter	Cable diameter			
		32	42	45	50
	Description/Kit No	98843271	98843273	98843274	98843275
198	Rubber seal	2	2	2	2
	Washer	2	2	2	2

Cable bush (0.6/1 kV 132~160 kW 6P, 110 kW 8P)

Pos.	Cable diameter	Cable diameter			
		45	50	56	65
	Description/Kit No	98843279	98843280	98843281	98843284
198	Rubber seal	2	2	2	2
	Washer	2	2	2	2

Cable bush (over 3.3 kV)

Pos.	Cable diameter	Cable diameter	
		50	65
	Description/Kit No	98843282	98843284
198	Rubber seal	2	2
	Washer	2	2

Bearing

Pos.	Range	Poles		Power	
		6	8	90~110 kW	132~160 kW
				75~90 kW	110 kW
	Description/Kit No	98843493		98843494	
153	Lower bearing	2		2	
153a	Lower bearing 2nd	1		1	
154	Upper bearing	1		1	
154b	Lip seal			1	
154d	Sleeve			1	
270	Bearing NJt	1		1	
271	Bearing washer	1		1	

Cartridge Shaft seal kit

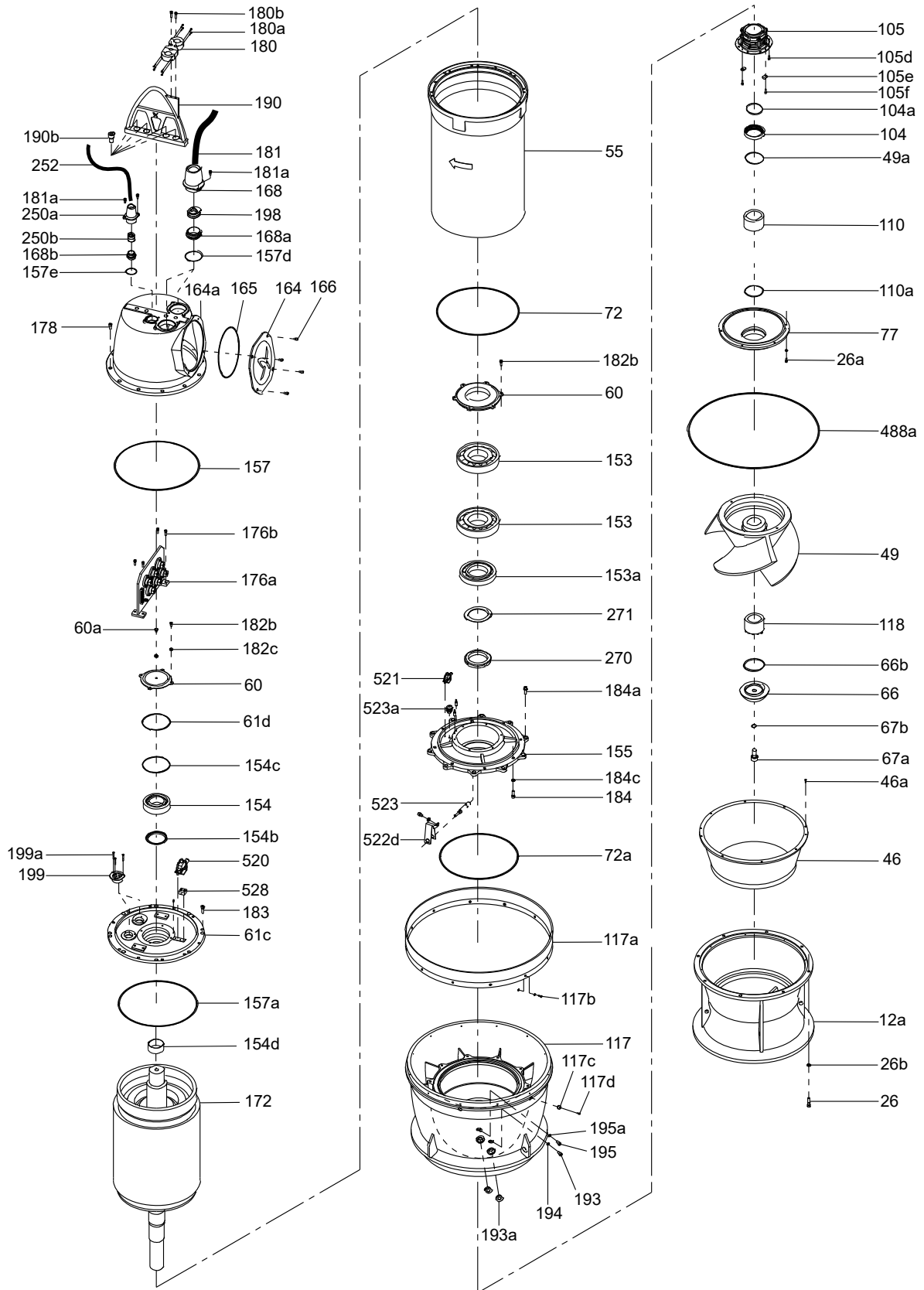
Pos.	Range	Poles		Power	
		6	8	90~110 kW	132~160 kW
				75~90 kW	110 kW
	Description/Kit No	98843293		98843294	
105	Mechanical seal unit	1		1	
-	Cartridge unit	1		1	

Outlet casing protector

Pos.	Description/Kit No	98843348
117c	Outlet casing protector	6
117d	Socket screw	6

Non return valve

Pos.	Description/Kit No	98843385
196	Non return valve	1
	Nipple	1



TM060240

O-ring

Pos.	Range	Poles		Power	
		6	90~110 kW	132~160 kW	
		8	75~90 kW	110 kW	
Description/Kit No		98843435	98843436		
49a	O-ring	3.5 x 80.0	1	-	
		3.5 x 90.0	-	1	
61d	O-ring	5.7 x 160.0	-	1	
66b	O-ring	3.5 x 104.0	1	1	
67c	O-ring	2.4 x 22.0	1	1	
72	O-ring	5.7 x 480.0	1	1	
72a	O-ring	8.4 x 480.0	1	1	
104a	O-ring	3.5 x 80.0	1	-	
		3.5 x 90.0	-	1	
105b	O-ring	3.5 x 100.0	1	-	
		3.5 x 120.0	-	1	
105c	O-ring	5.7 x 150.0	1	-	
		5.7 x 175.0	-	1	
106a	O-ring	3.5 x 65.0	1	-	
		3.5 x 75.0	-	1	
110a	O-ring ⁵⁸⁾	3.5 x 80.0	1	-	
		3.5 x 90.0	-	1	
154b	Lip seal	TC-12014011	-	1	
154c	O-ring	5.7 x 160.0	-	1	
157	O-ring	5.7 x 363.0	1	-	
		8.4 x 488.0	-	1	
157a	O-ring	5.7 x 414.0	1	-	
		5.7 x 527.0	-	1	
157e	O-ring	3.5 x 70.0	1	-	
		3.5 x 80.0	-	1	
157d	O-ring ⁵⁹⁾	3.5 x 85.0	1	-	
		3.5 x 130.0	-	2	
165	O-ring	5.7 x 220.0	1	-	
		5.7 x 280.0	-	1	
194	O-ring	3.1 x 22.0	1	1	
194a	O-ring	3.1 x 16.0	1	1	
488	O-ring	12.0 x 670.0	1	1	

⁵⁸⁾ Needed only in M type pumps

⁵⁹⁾ More O-rings might be supplied than the mentioned numbers

O-ring for oil plugs

Pos.	Description/Kit No	98843384	
194	O-ring	3.1 x 16.0	1
195a	O-ring	3.1 x 22.0	1

Power Lock

Pos.	Range	Poles		Power	
		6	90~110 kW	132~160 kW	
		8	75~90 kW	110 kW	
Description/Kit No		98843310	98843311		
118	Power Lock		1	1	

Sensor Cable bush

Pos.	Description/Kit No	98843287	
250b	Rubber seal		2
	Washer		2

Turbulence Optimizer

Pos.	Description/Kit No	98843326	
117a	Turbulence Optimizer		1
117b	Socket screw		12
	Washer		24

Wear ring

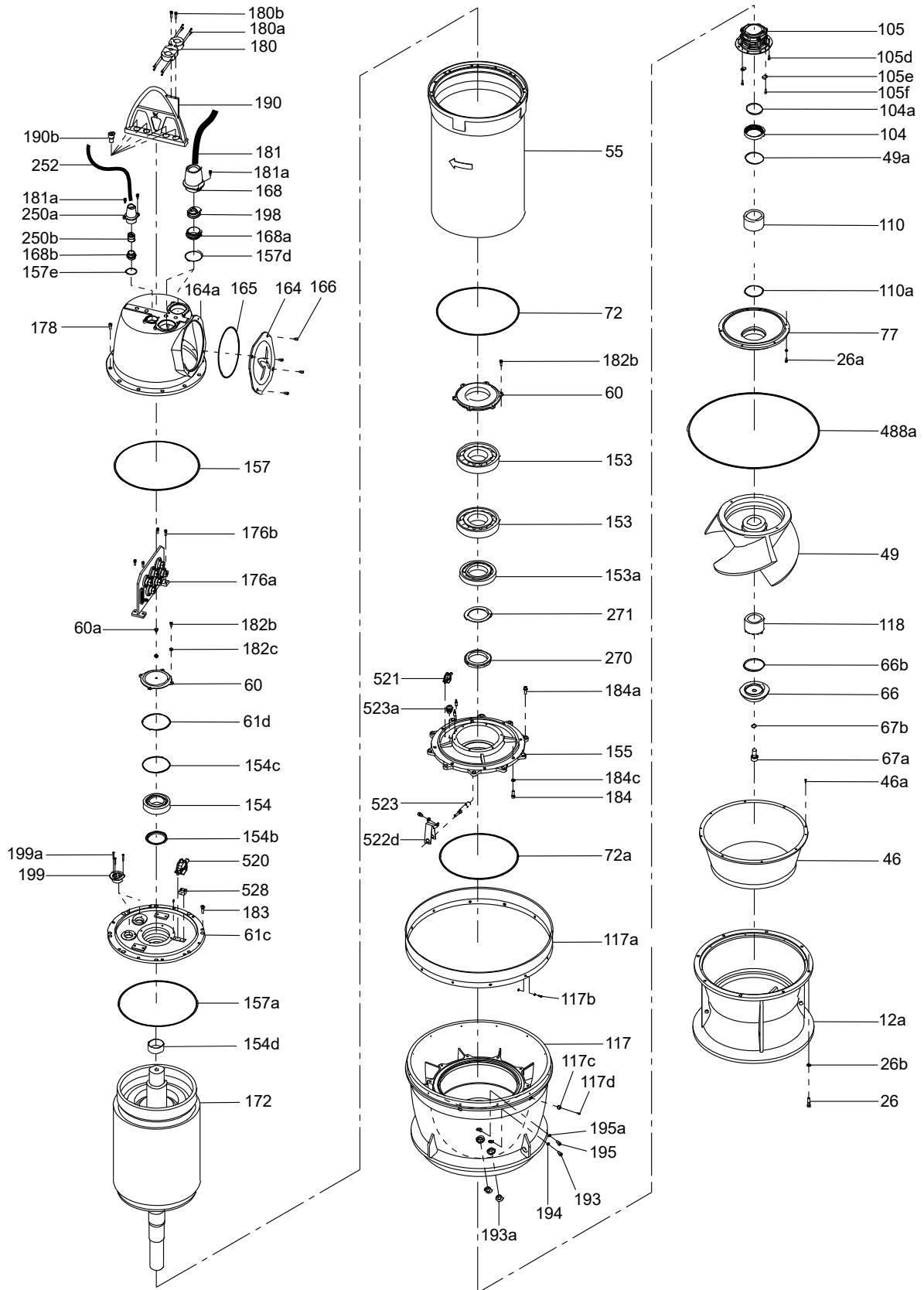
Pos.	Description/Kit No	Pressure		
		M ₁ ⁶⁰⁾	M ₂ ⁶¹⁾	H
		98843372	98843373	98843374
46	Wear ring	1	1	1
46a	Screw	4	4	4

⁶⁰⁾ M₁ = impeller dia. 510~490

⁶¹⁾ M₂ = impeller dia. 475~465

Sensor Cable**Without cable bush**

Pos.	Description	Cable diameter	Length		
			10 m	15 m	20 m
252	8 x 2.5 mm ²	23	98843218	98843240	98843262
	11 x 2.5 mm ²	23	98843219	98843241	98843263



TM060240

KWM 900**Cable**

Without cable bush

Pos.	Length	Cable diameter	Voltage	10 m	15 m	20 m
	Description					
181	3 x 50 + 1 x 35 + 4 x 1.5 mm ²	45	0.6/1 kV	98843207	98843229	98843251
	4 x 70 mm ²	50	0.6/1 kV	98843208	98843230	98843252
	4 x 95 mm ²	56	0.6/1 kV	98843209	98843231	98843253
	4 x 120 mm ²	65	0.6/1 kV	98843210	98843232	98843254
	6 x 35 + 1 x 25 + 6 x 1.5 mm ²	45	0.6/1 kV	98843202	98843224	98843246
	4 x 35 mm ²	50	3.3 kV	98843211	98843233	98843255
	4 x 35 mm ²	65	6.6 kV	98843215	98843237	98843259

Cable bush (0.6/1 kV)

Pos.	Cable diameter	45	50	56	65
	Description/Kit No	98843279	98843280	98843281	98843284
198	Rubber seal	2	2	2	2
	Washer	2	2	2	2

Bearing

Pos.	Range	Poles		Power	
		6	8	132~160 kW	200~250 kW
	Description/Kit No	98843495	98843496		
153	Lower bearing			2	2
153a	Lower bearing 2nd			1	1
154	Upper bearing			1	1
154b	Lip seal			1	1
154d	Sleeve			1	1
270	Bearing nut			1	1
271	Bearing washer			1	1

Cable bush (over 3.3 kV)

Pos.	Cable diameter	50	65
	Description/Kit No	98843282	98843284
198	Rubber seal	2	2
	Washer	2	2

Cartridge Shaft seal kit

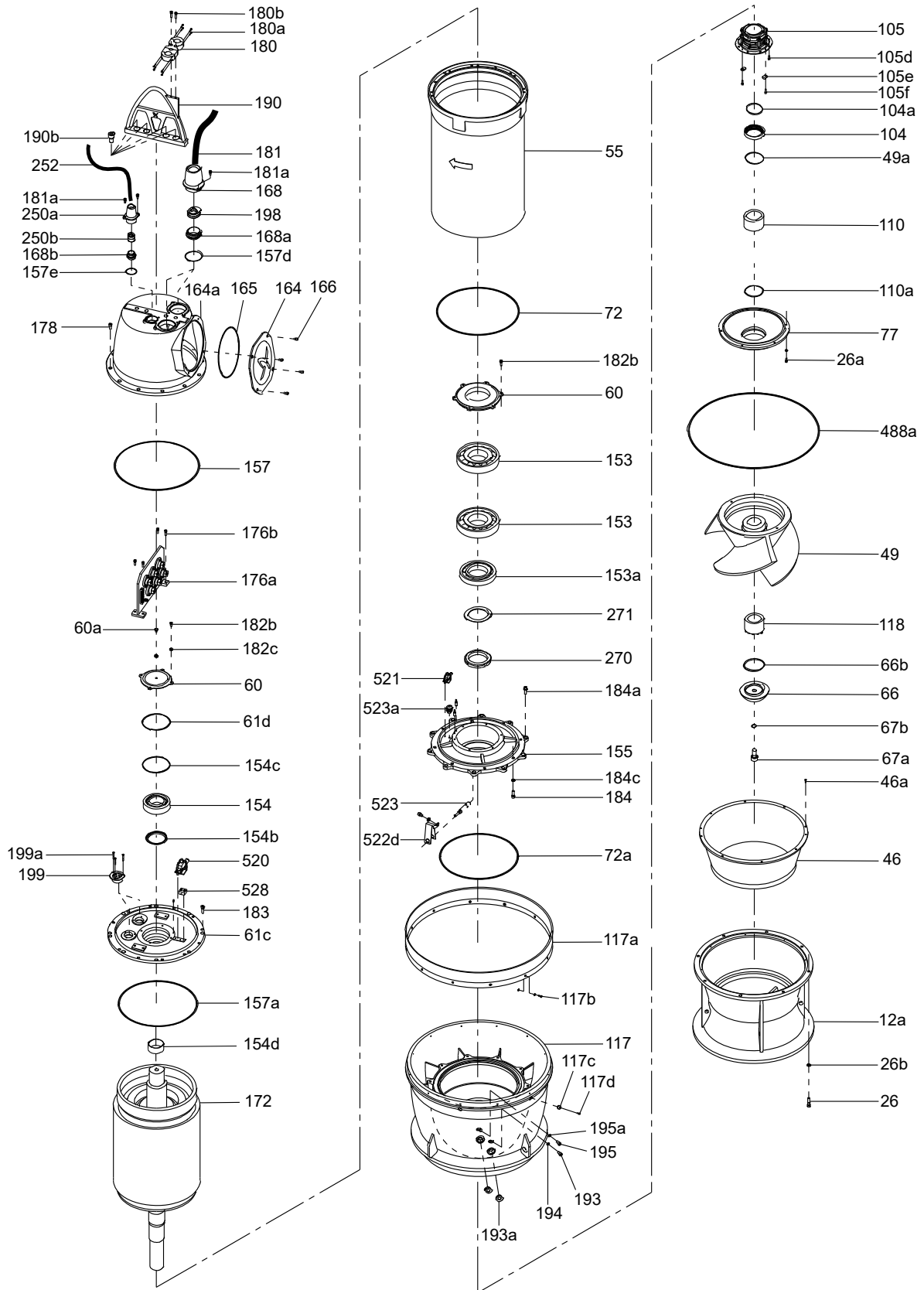
Pos.	Range	Poles		Power	
		6	8	132~160 kW	200~250 kW
	Description/Kit No	98843294	98843295		
105	Mechanical seal unit			1	1
-	Cartridge unit			1	1

Outlet casing protector

Pos.	Description/Kit No	98843349
117c	Outlet casing protector	6
117d	Socket screw	6

Non return valve

Pos.	Description/Kit No	98843385
196	Non return valve	1
	Nipple	1



TM060240

O-ring

Pos.	Range	Description/Kit No	Poles			
			6	132~160 kW		200~250 kW
			8	110 kW	132~160 kW	200~220 kW
			98843437	98843438	98843439	
49a	O-ring	3.5 x 90.0	1	1	-	
		3.5 x 100.0	-	-	1	
61d	O-ring	5.7 x 160.0	1	1	1	
66c	O-ring	3.5 x 114.0	1	1	1	
67c	O-ring	3.1 x 30.0	1	1	1	
72	O-ring	8.4 x 505.0	1	1	1	
72a	O-ring	8.4 x 480.0	1	1	1	
104a	O-ring	3.5 x 90.0	1	1	-	
		3.5 x 100.0	-	-	1	
105b	O-ring	3.5 x 120.0	1	1	1	
105c	O-ring	5.7 x 175.0	1	1	1	
106a	O-ring	3.5 x 75.0	1	1	-	
		3.5 x 85.0	-	-	1	
110a	O-ring	3.5 x 90.0	1	1	-	
		3.5 x 100.0	-	-	1	
154b	Lip seal	TC-12014011	1	1	1	
154c	O-ring	5.7 x 160.0	1	1	1	
157	O-ring	8.4 x 488.0	1	-	-	
		8.4 x 508.0	-	1	1	
157a	O-ring	8.4 x 527.0	1	-	-	
		8.4 x 552.0	-	1	1	
157d	O-ring ⁶²⁾	3.5 x 130.0	2	2	2	
157e	O-ring	3.5 x 80.0	1	1	1	
165	O-ring	5.7 x 280.0	1	1	1	
194	O-ring	3.1 x 16.0	1	1	1	
195a	O-ring	3.1 x 22.0	1	1	1	
488	O-ring	12.0 x 770.0	1	1	1	

62) More O-rings might be supplied than the mentioned numbers.

O-ring for oil plugs

Pos.	Description/Kit No	98843384
194	O-ring 3.1 x 16.0	1
195a	O-ring 3.1 x 22.0	1

Sensor Cable bush

Pos.	Description/Kit No	98843287
250b	Rubber seal	2
	Washer	2

Turbulence Optimizer

Pos.	Description/Kit No	98843327
117a	Turbulence Optimizer	1
117b	Socket screw	12
	Washer	24

Sensor Cable

Without cable bush

Pos.	Description	Cable diameter	Length		
			10 m	15 m	20 m
252	8 x 2.5 mm ²	23	98843218	98843240	98843262
	11 x 2.5 mm ²	23	98843219	98843241	98843263

Power Lock

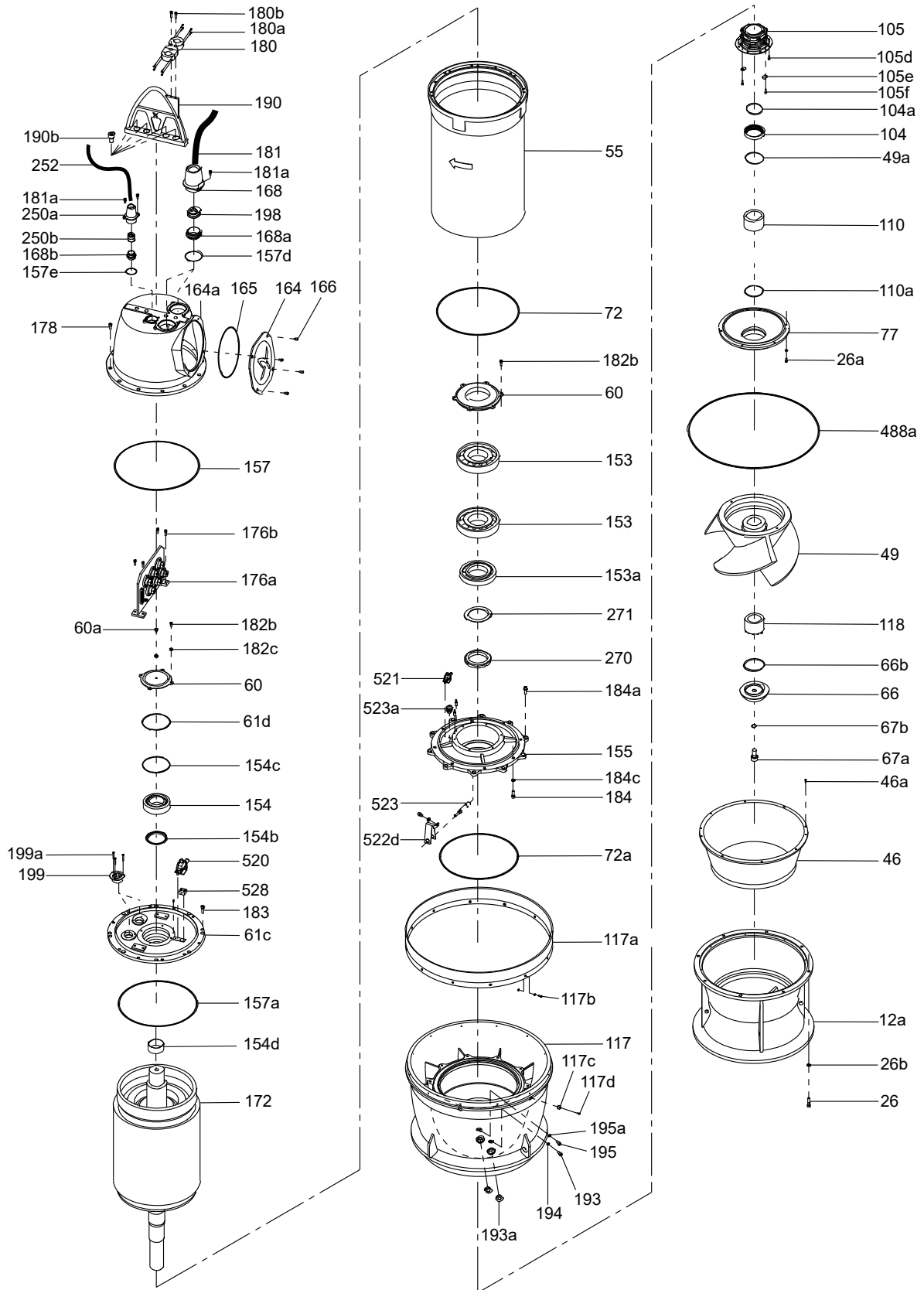
Pos.	Range	Poles		Power	
		6	132~160 kW	200~250 kW	
		8	110~160 kW	200~220 kW	
Description/Kit No		98843311	98843313		
118	Power Lock	1	1		

Wear ring

Pos.	Description/Kit No	Pressure	
		M ₁ ⁶³⁾	M ₂ ⁶⁴⁾
		98843375	98843376
46	Wear ring	1	1
46a	Screw	4	4

63) M₁ = impeller dia. 560~525

64) M₂ = impeller dia. 520~500



TM060240

KWM 1000**Bearing**

Pos.	Range	Poles		Power	
		6	220~250 kW	300~350 kW	
		8	200 kW	220 kW	250~300 kW
		10	160 kW	200 kW	220~250 kW
	Description/Kit No		98843497	98843498	98843499 98843500
153	Lower bearing		2	2	2
153a	Lower bearing 2nd		1	1	1
154	Upper bearing		1	1	1
154d	Sleeve		1	1	1
154b	Lip seal		1	1	1
270	Bearing nut		1	1	1
271	Bearing washer		1	1	1

Cable

Without cable bush

Pos.	Description	Cable diameter	Voltage	Length		
				10 m	15 m	20 m
	3 x 50 + 1 x 35 + 4 x 1.5 mm ²	45	0.6/1 kV	98843207	98843229	98843251
	4 x 70 mm ²	50	0.6/1 kV	98843208	98843230	98843252
	4 x 95 mm ²	56	0.6/1 kV	98843209	98843231	98843253
181	4 x 120 mm ²	65	0.6/1 kV	98843210	98843232	98843254
	6 x 35 + 1 x 25 + 6 x 1.5 mm ²	45	0.6/1 kV	98843202	98843224	98843246
	4 x 35 mm ²	50	3.3 kV	98843211	98843233	98843255
	4 x 35 mm ²	65	6.6 kV	98843215	98843237	98843259

Cable bush (0.6/1 kV)

Pos.	Cable diameter	Cable diameter			
		45	50	56	65
	Description/Kit No	98843279	98843280	98843281	98843284
198	Rubber seal	2	2	2	2
	Washer	2	2	2	2

Cable bush (over 3.3 kV)

Pos.	Cable diameter	Cable diameter	
		50	65
	Description/Kit No	98843282	98843284
198	Rubber seal	2	2
	Washer	2	2

Cartridge Shaft seal kit

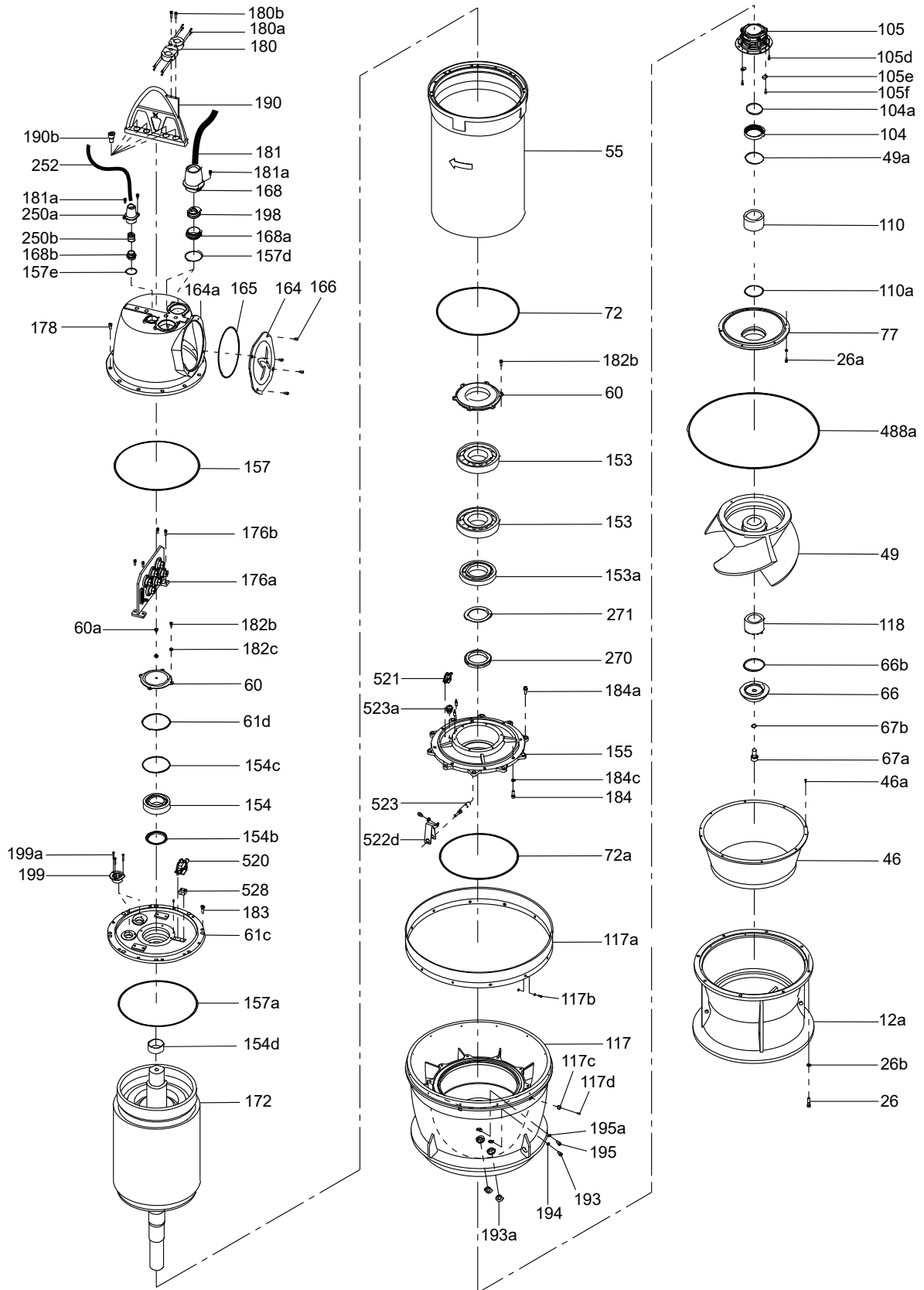
Pos.	Range	Poles		Power	
		6	220~250 kW	300~350 kW	
		8	200 kW	220~300 kW	
		10	160~200 kW	220~250 kW	
	Description/Kit No		98843296	98843297	
105	Mechanical seal unit		1	1	
-	Cartridge unit		1	1	

Outlet casing protector

Pos.	Description/Kit No	98843350
117c	Outlet casing protector	6
117d	Socket screw	6

Non return valve

Pos.	Description/Kit No	98843385
196	Non return valve	1
	Nipple	1



TM060240

O-ring

Pos.	Range	Poles		Power	
		6	220~250 kW	300~350 kW	
		8	200 kW	220 kW	250~300 kW
Description/Kit No		10	160~200 kW	220~250 kW	
		98843440	98843441	98843442	98843443
49a	O-ring	3.5 x 100.0	1	1	
		3.5 x 110.0	-	1	1
61d	O-ring	5.7 x 160.0	1	1	
		5.7 x 180.0	-	-	1 1
66c	O-ring	3.5 x 124.0	1	1	1
67c	O-ring	3.1 x 40.0	1	1	1
72	O-ring	8.4 x 580.0	1	1	1
72a	O-ring	8.4 x 570.0	1	1	1
104a	O-ring	3.5 x 100.0	1	-	1 -
		3.5 x 110.0	-	1	- 1
105b	O-ring	3.5 x 130.0	1	1	1
105c	O-ring	5.7 x 190.0	1	1	1
106a	O-ring	3.5 x 85.0	1	-	1 -
		3.5 x 95.0	-	1	- 1
110a	O-ring ⁶⁵⁾	3.5 x 100.0	1	-	1 -
		3.5 x 110.0	-	1	- 1
154b	Lip seal	TC-12014011	1	1	- -
		TC-13516514	-	-	1 1
154c	O-ring	5.7 x 160.0	1	1	- -
		5.7 x 180.0	-	-	1 1
157	O-ring	8.4 x 508.0	1	1	- -
		8.4 x 605.0		-	1 1
157a	O-ring	8.4 x 552.0	1	1	- -
		8.4 x 622.0	-	-	1 1
157d	O-ring ⁶⁶⁾	3.5 x 130.0	2	2	2 2
157e	O-ring	3.5 x 80.0	1	1	1 1
165	O-ring	5.7 x 280.0	1	1	1 1
194	O-ring	3.1 x 6.0	1	1	1 1
195a	O-ring	3.1 x 22.0	1	1	1 1
488	O-ring	12.0 x 860.0	1	1	1 1

⁶⁵⁾ Needed only in M type pumps.

⁶⁶⁾ More O-rings might be supplied than the mentioned numbers.

O-ring for oil plugs

Pos.	Description/Kit No	98843384
194	O-ring 3.1 x 16.0	1
195a	O-ring 3.1 x 22.0	1

Power Lock

Pos.	Range	Poles		Power	
		6	220~250 kW	300~350 kW	
		8	200 kW	220~300 kW	
Description/Kit No		10	160~200 kW	220~250 kW	
		98843313	98843314		
118	Power Lock	1	1		

Sensor Cable bush

Pos.	Description/Kit No	98843287
250b	Rubber seal	2
	Washer	2

Turbulence Optimizer

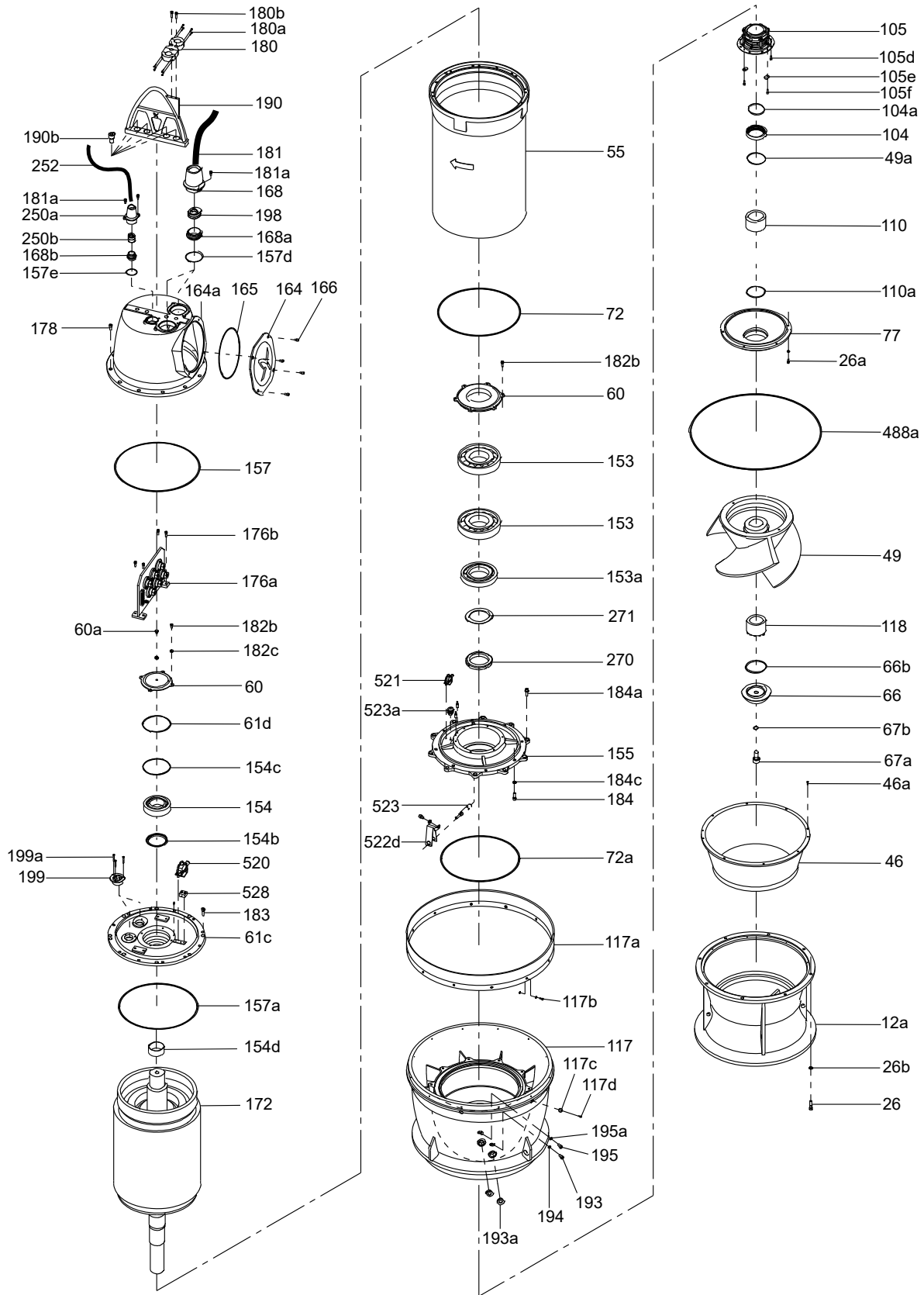
Pos.	Description/Kit No	98843328
117a	Turbulence Optimizer	1
117b	Socket screw	12
	Washer	24

Wear ring

Pos.	Description/Kit No	Pressure	
		M	H
		98843377	98843378
46	Wear ring	1	1
46a	Screw	4	4

Sensor Cable

Pos.	Description	Cable diameter	Length		
			10 m	10 m	10 m
252	8 x 2.5 mm ²	23	98843218	98843240	98843262
	11 x 2.5 mm ²	23	98843219	98843241	98843263



TM060240

KWM 1200**Bearing**

Pos.	Range	Poles		Power			
		8		350 kW	400 kW	450~500 kW	550 kW
		10	200~220 kW	250~350 ⁶⁷⁾ kW	350 ⁶⁸⁾ ~400 kW	450~500 kW	
		12	200~220 kW	250~300 kW	350 kW		
	Description/Kit No		98843501	98843502	98843503	98843504	98843505
154	Upper bearing		1	1	1	1	1
154d	Sleeve		1	1	1	1	1
153	Lower bearing		2	2	2	2	2
153a	Lower bearing 2nd		1	1	1	1	1
154b	Lip seal		1	1	1	1	1
270	Bearing nut		1	1	1	1	1
271	Bearing washer		1	1	1	1	1

⁶⁷⁾ 60 Hz⁶⁸⁾ 50 Hz**Cable**

Without cable bush

Pos.	Description	Out diameter	Voltage	Length		
				10 m	15 m	20 m
181	3 x 50 + 1 x 35 + 4 x 1.5 mm ²	45	0.6/1 kV	98843207	98843229	98843251
	4 x 70 mm ²	50	0.6/1 kV	98843208	98843230	98843252
	4 x 95 mm ²	56	0.6/1 kV	98843209	98843231	98843253
	4 x 120 mm ²	65	0.6/1 kV	98843210	98843232	98843254
	4 x 35 mm ²	50	3.3 kV	98843211	98843233	98843255
	4 x 50 mm ²	56	3.3 kV	98843212	98843234	98843256
	4 x 35 mm ²	65	6.6 kV	98843215	98843237	98843259

Cable bush (0.6/1 kV)

Pos.	Cable diameter	Voltage			
		45	50	56	65
	Description/Kit No	98843279	98843280	98843281	98843284
198	Rubber seal	2	2	2	2
	Washer	2	2	2	2

Cartridge Shaft seal kit

Pos.	Range	Poles		Power		
		8		350 kW	400~500 kW	550 kW
		10	200~220 kW	250~350 ⁶⁹⁾ kW	350 ⁷⁰⁾ ~500 kW	
		12	200~220 kW	250~300 kW	350 kW	
	Description/Kit No		98843297	98843298	98843299	98843300
105	Mechanical seal unit		1	1	1	1
-	Cartridge unit		1	1	1	1

⁶⁹⁾ 60 Hz⁷⁰⁾ 50 Hz**Cable bush (over 3.3 kV)**

Pos.	Cable diameter	Voltage	
		50	65
	Description/Kit No	98843282	98843284
198	Rubber seal	2	2
	Washer	2	2

Outlet casing protector

Pos.	Description/Kit No	98843351
117c	Outlet casing protector	6
117d	Socket screw	6

Non return valve

Pos.	Description/Kit No	98843385
196	Non return valve	1
	Nipple	1

O-ring for oil plugs

Pos.	Description/Kit No	98843384
195a	O-ring 3.1 x 22.0	1
194	O-ring 3.1 x 16.0	1

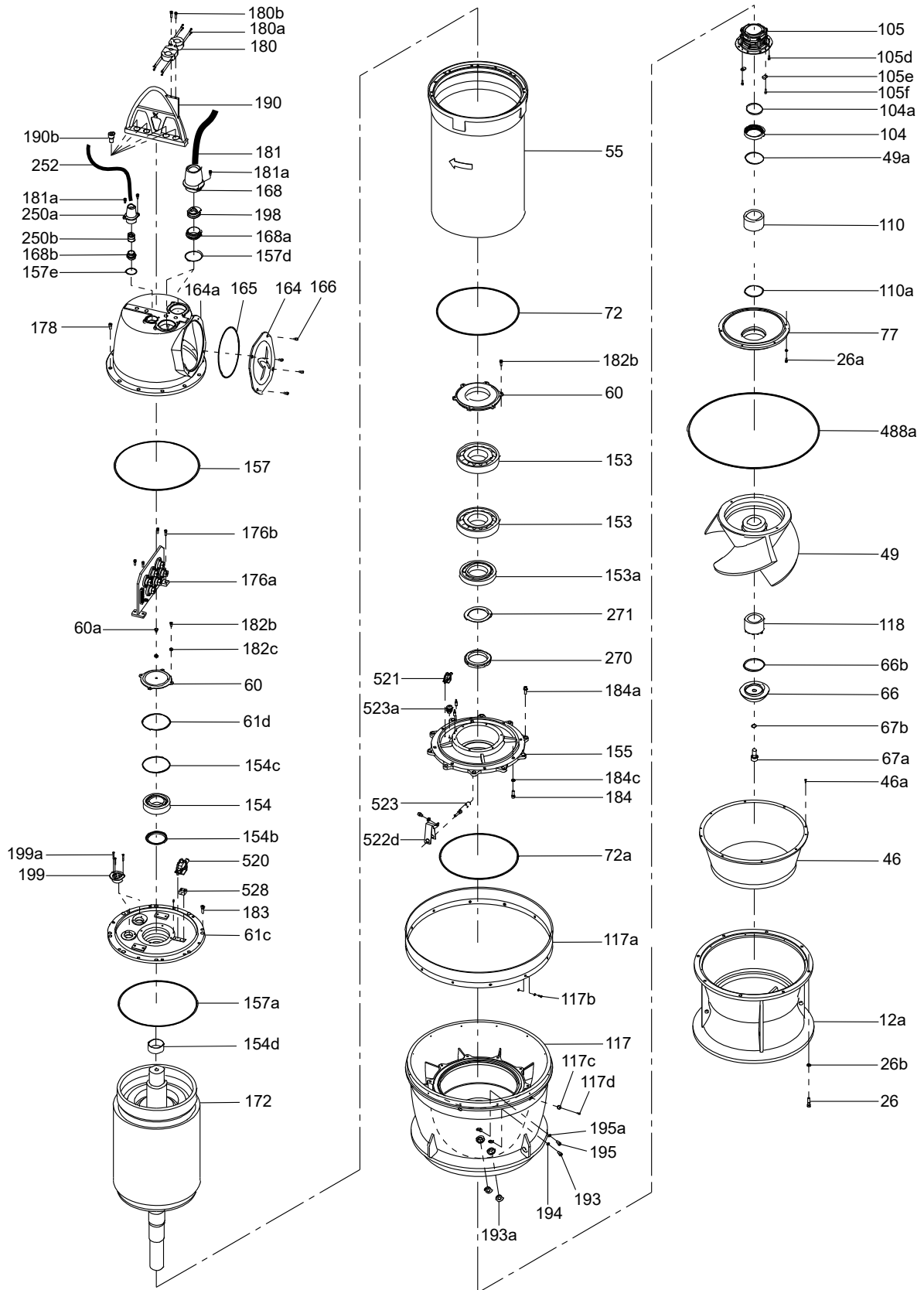
Sensor Cable

Without cable bush

Pos.	Description	Cable diameter	Length		
			10 m	15 m	20 m
252	8 x 2.5 mm ²	23	98843218	98843240	98843262
	11 x 2.5 mm ²	23	98843219	98843241	98843263

Sensor Cable bush

Pos.	Description/Kit No	98843287
250b	Rubber seal	2
	Washer	2



TM060240

O-ring

Pos.	Range	Poles			Power			
		8			350 kW	400~500 kW	550 kW	
		10	200~220 kW	250 kW	300~350 ⁷¹⁾ kW	350 ⁷²⁾ ~500 kW		
		12	200 kW		220 kW	250~300 kW	350 kW	
Description/Kit No		98843444	98843445	98843446	98843447	98843448	98843449	
49a	O-ring	3.5 x 110.0	1	-	1	-	-	-
		3.5 x 120.0	-	1	-	1	-	-
		3.5 x 130.0	-	-	-	-	1	-
		3.5 x 140.0	-	-	-	-	-	1
61d	O-ring	5.7 x 180.0	1	1	-	-	-	-
		5.7 x 215.0	-	-	1	1	1	1
66b	O-ring	5.7 x 155.0	1	1	1	1	1	1
67c	O-ring	3.1 x 40.0	1	1	1	1	1	1
72	O-ring	8.4 x 650.0	1	1	1	1	1	1
72a	O-ring	8.4 x 620.0	1	1	1	1	1	1
104a	O-ring	3.5 x 110.0	1	-	1	-	-	-
		3.5 x 120.0	-	1	-	1	-	-
		3.5 x 130.0	-	-	-	-	1	-
		3.5 x 140.0	-	-	-	-	-	1
105b	O-ring	3.5 x 130.0	1	-	1	-	-	-
		5.7 x 150.0	-	1	-	1	1	-
		5.7 x 170.0	-	-	-	-	-	1
105c	O-ring	5.7 x 190.0	1	-	1	-	-	-
		5.7 x 210.0	-	1	-	1	1	-
		5.7 x 230.0	-	-	-	-	-	1
106a	O-ring	3.5 x 95.0	1	-	1	-	-	-
		3.5 x 105.0	-	1	-	1	-	-
		3.5 x 115.0	-	-	-	-	1	-
		3.5 x 125.0	-	-	-	-	-	1
110a	O-ring	3.5 x 110.0	1	-	1	-	-	-
		3.5 x 120.0	-	1	-	1	-	-
		3.5 x 130.0	-	-	-	-	1	-
		3.5 x 140.0	-	-	-	-	-	1
154b	Lip seal	TC-13516514	1	1	1	1	1	1
154c	O-ring	5.7 x 180.0	1	1	1	1	1	1
157	O-ring	8.4 x 605.0	1	1	-	-	-	-
		8.4 x 670.0	-	-	1	1	1	1
157a	O-ring	8.4 x 622.0	1	1	-	-	-	-
		8.4 x 702.0	-	-	1	1	1	1
157d	O-ring ⁷³⁾	3.5 x 130.0	2	2	4	4	4	4
157e	O-ring	3.5 x 80.0	1	1	1	1	1	1
165	O-ring	5.7 x 280.0	1	1	-	-	-	-
		5.7 x 400.0	-	-	1	1	1	1
194	O-ring	3.1 x 16.0	1	1	1	1	1	1
195a	O-ring	3.1 x 22.0	1	1	1	1	1	1
488	O-ring	12.0 x 1040.0	1	1	1	1	1	1

71) 60 Hz

72) 50 Hz

73) More O-rings might be supplied than the mentioned numbers.

Power Lock

Pos.	Range	Poles		Power		
		8	10	350 kW	400~500 kW	550 kW
		12	200~220 kW	250~350 ⁷⁴⁾ kW	350 ⁷⁵⁾ ~500 kW	350 kW
Description/Kit No		98843314	98843315	98843316	98843317	
118	Power Lock	1	1	1	1	

74) 60 Hz

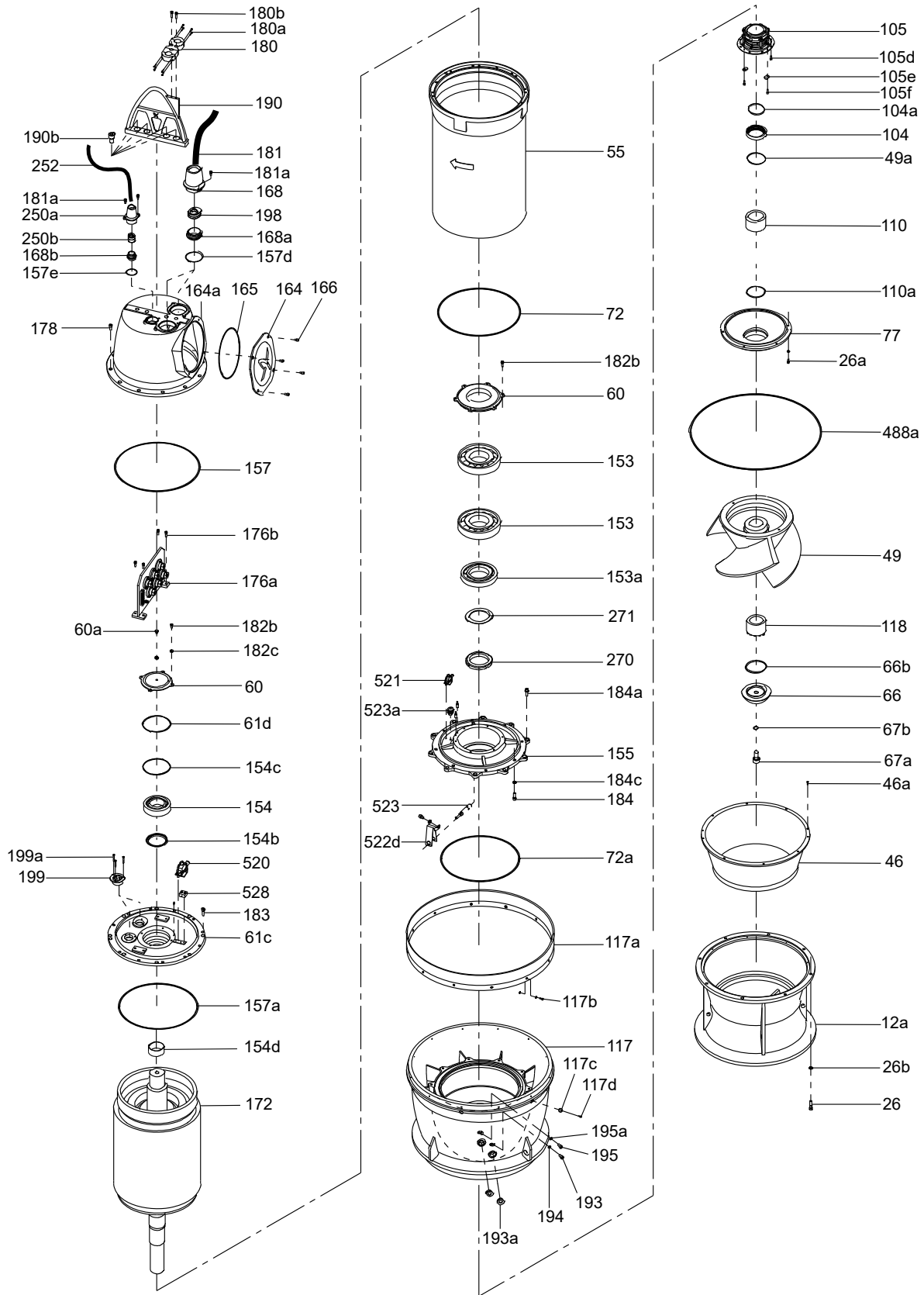
75) 50 Hz

Turbulence Optimizer

Pos.	Description/Kit No	98843329
117a	Turbulence Optimizer	1
117b	Socket screw	12
	Washer	24

Wear ring

Pos.	Description/Kit No	Pressure
		M
		98843379
46	Wear ring	1
46a	Screw	4



TM060240