



## H-7x70B - G-Series Magnetic Boiler Filter

### H-7x70B Series

#### G-Series Magnetic Boiler Filter

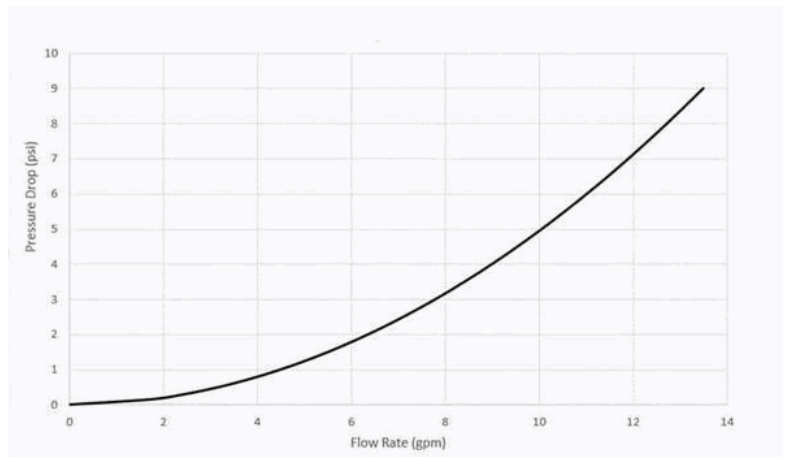
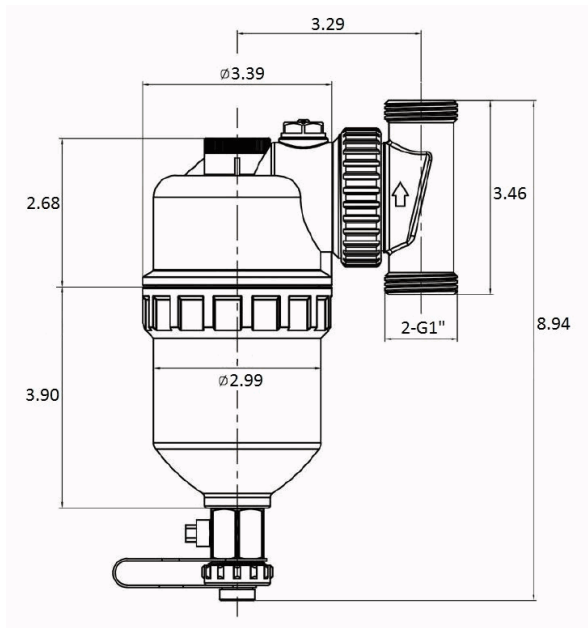
12,000 Gauss Magnet, Diverter

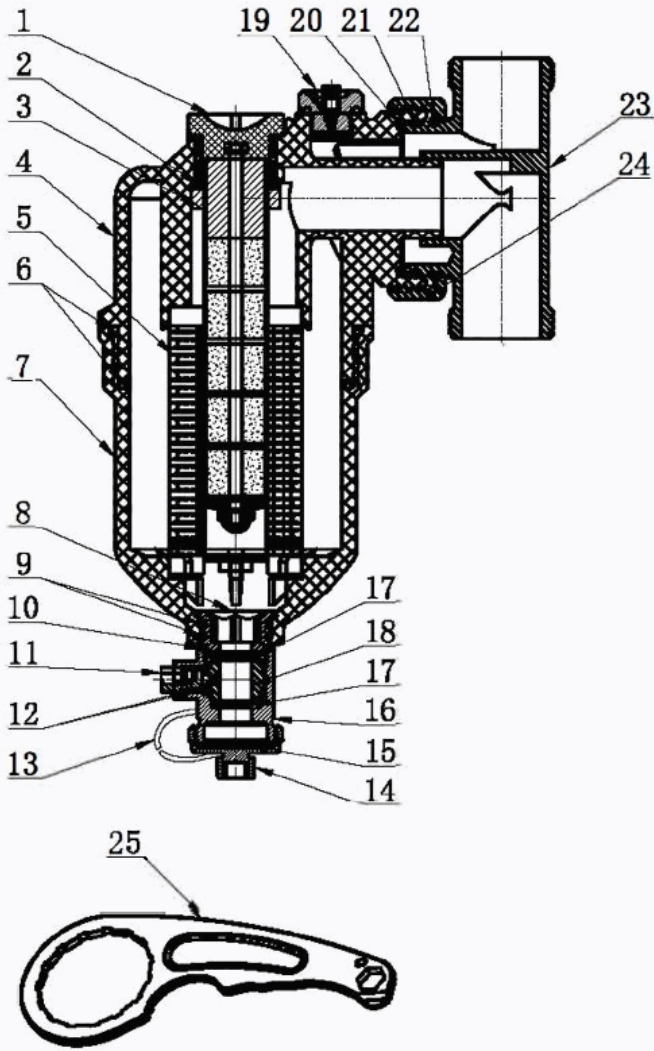
Integrated Hose Drain Valve, Air Vent & Filter  
& Service Tool

Requires (2) G-Union Fittings (Sold Separately)



Size (in)	Item#	Weight (lbs)	CTN Qty	Case Qty		
G-Thread						175 PSI CWP Max
1"	H-70700	2.52	1	4		250°F Max





NO.	DESCRIPTION	MATERIAL
1	Magnet Bar	Various
2	O-Ring	Rubber
3	Magnet Sleeve	Nickel Plated Brass
4	Body Upper Half	Plastic
5	Plastic Screen Filter	Plastic
6	O-Ring	Rubber
7	Body Lower Half	Plastic
8	Valve Cap	Brass
9	O-Ring	Rubber
10	Drainer	Brass
11	Valve Stem	Brass
12	Drainer	Brass
13	Strap	Rubber
14	Cap	Brass
15	Gasket	Rubber
16	Drainer	Brass
17	Valve Ball Seat	Teflon
18	Valve Ball	Brass
19	Vent Assembly	Brass
20	O-Ring	Rubber
21	O-Ring	Rubber
22	Diverter Clip Ring	Stainless Steel
23	Diverter	Brass
24	Diverter Nut	Brass
25	Service Tool	Plastic

Specifications: Designed for use with water, oil, glycol mix in residential or commercial heating systems. G-threaded bodies require matching G-union fitting for installation.

