



## H-G056 - G-Series Y-Strainer

### H-G056W Series

### G-Series Y-Strainer

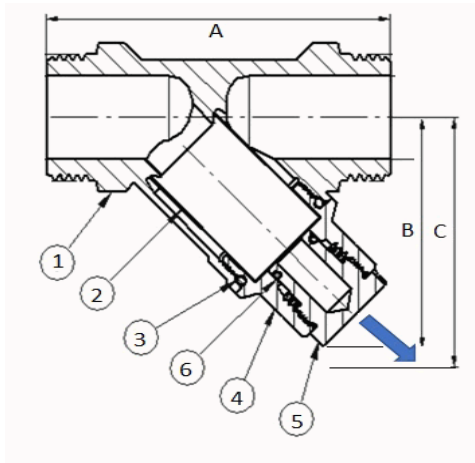
Forged DZR Brass w/ 20 Mesh Stainless Steel Insert  
w/ 1/2" Plugged NPT Port  
Requires (2) G-Union Fittings (Sold Separately)

### Certifications

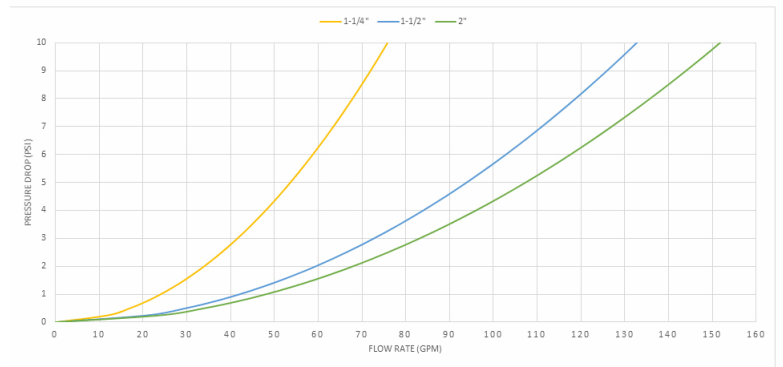
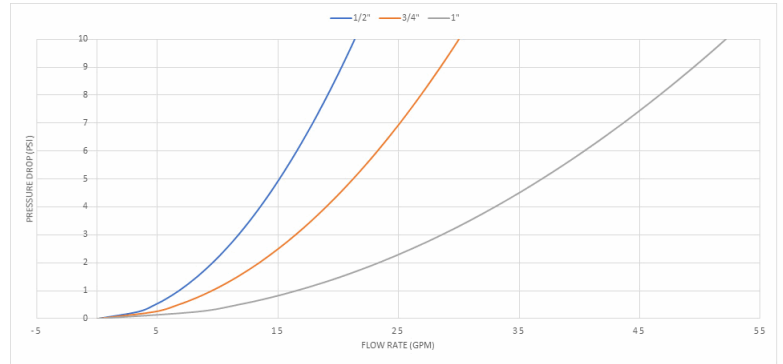
Certified to NSF/ANSI/CAN 61 & 372



Size (in)	Item#	Weight (lbs)	CTN Qty	Case Qty	A	B	C	200 PSI CWP Max	200°F Max
<b>G-Thread</b>									
1"	H-G0564W	1.04	1	18	3.54	2.50	4.00		
1 1/2"	H-G0566W	2.31	1	8	4.72	3.00	5.00		



NO.	DESCRIPTION	MATERIAL
1	Body	Lead-Free DZR Brass
2	Strainer	Stainless Steel
3	O-Ring	EPDM
4	Cap	Lead-Free DZR Brass
5	1/2 NPT Plug	Lead-Free DZR Brass
6	O-Ring	EPDM



Specifications: Designed for use with water, oil, glycol mix in residential or commercial plumbing and heating systems. G-threaded bodies require matching G-union fitting for installation.

