

H-G156 - G-Series Ball Drain Strainers

H-G156W Series

G-Series Ball Drain Strainer

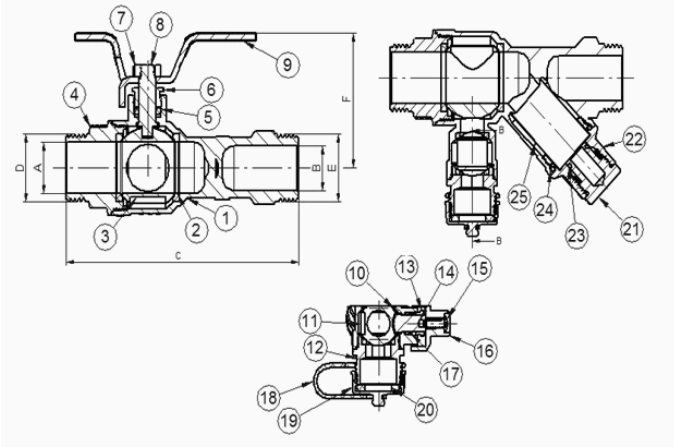
Full Port Forged DZR Brass Ball Valve w/ Hi-Flow Multi-Function Hose Drain, Integral Y-Strainer (20 Mesh), 1/2" Plugged NPT Port & Adjustable Packing Glands Requires (2) G-Union Fittings (Sold Separately)

Certifications

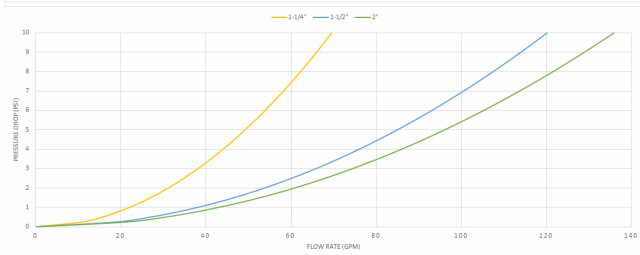
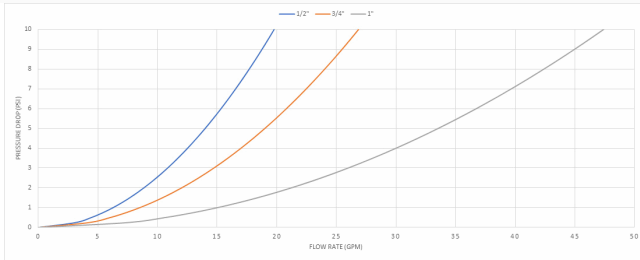
Certified to NSF/ANSI/CAN 61 & 372



Size (in)	Item#	Weight (lbs)	CTN Qty	Case Qty	A	B	C	200 PSI CWP Max	200°F Max
G-Thread									
1"	H-G1564W	2.25	1	12	5.09	3.00	4.00		
1 1/2"	H-G1566W	4.82	1	4	6.77	5.00	5.00		



NO.	DESCRIPTION	MATERIAL
1	Body	Lead-Free DZR Brass
2	Seat	PTFE
3	Ball	Brass HCP
4	Cap	Lead-Free DZR Brass
5	Packing	PTFE
6	Clamping Cap	Brass
7	Locking Nut	Stainless Steel
8	Stem	Brass
9	Handle	Steel CP
10	Seat	PTFE
11	Ball	Brass HCP
12	Cap	Lead-Free DZR Brass
13	Clamping Cap	Brass
14	Stem	Lead-Free DZR Brass
15	Screw	Stainless Steel
16	Handle	Aluminum
17	Packing	PTFE
18	Strap	PVC
19	Plug Nut	Brass
20	Gasket	EPDM
21	Plug	Lead-Free DZR Brass
22	Cap	Lead-Free DZR Brass
23	O Ring	EPDM
24	O Ring	EPDM
25	Mesh Insert	Stainless Steel



Specifications: Designed for use with water, oil, glycol mix in residential or commercial plumbing and heating systems. G-threaded bodies require matching G-union fitting for installation.

REV:9/24/2024

