

H-G265 - G-Series Water Heater Supply Valves w/ Expansion Tank Service

H-G265W Series

G-Series Water Heater Supply Valve

w/ Expansion Tank Service

Full Port DZR Brass Ball w/ Union End

w/ 3/4 Expansion Tank Port & Hi-Flow Hose Drain

(3) Plugged FIP Ports (1/2", 1/2" & 1/8")

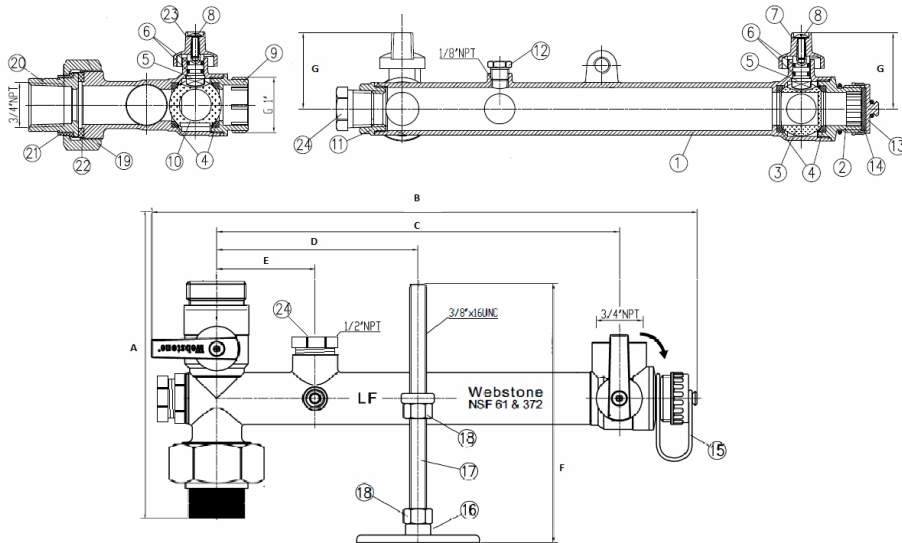
Requires (1) G-Union Fitting (Sold Separately)

Certifications

Certified to NSF/ANSI/CAN 61 & 372



Size (in)	Item#	Weight (lbs)	CTN Qty	Case Qty	A	B	C	D	E	F	G	150 PSI CWP Max	180°F Max
3/4" x 1" x 3/4" x 3/4"	H-G2653W	3.11	1	8	4.88	12.20	9.00	4.50	2.20	6	1.72		



NO.	DESCRIPTION	MATERIAL
1	Body	Lead-Free DZR Brass
2	Cap	Lead-Free DZR Brass
3	Ball	Stainless Steel
4	Seat	PTFE
5	Stem	Lead-Free DZR Brass
6	O-ring	EPDM
7	Handle	Aluminum
8	Screw	Stainless Steel
9	Cap	Lead-Free DZR Brass
10	Ball	Stainless Steel
11	Cap	Lead-Free DZR Brass
12	Plug	Lead-Free DZR Brass
13	Cap	Brass
14	Gasket	EPDM
15	Strap	TPE
16	Support Bracket	Steel CP
17	Thread Rod	Steel CP
18	Nut	Steel CP
19	Union Nut	Zinc Plated Steel
20	FIP Fitting	Lead-Free DZR Brass
21	Insulator Ring	PSU
22	Gasket	EPDM
23	Handle	Aluminum
24	Plug	Lead-Free DZR Brass

Specifications: Designed for use with water in residential or commercial plumbing systems. Threaded (NPT) ends comply with ANSI B1.20.1. Threaded ends comply with ANSI B1.20.7. G-threaded products require matching body/fitting for installation.

