



H-G767 - G-Series T-Valve

H-G767W Series

G-Series T-Valve

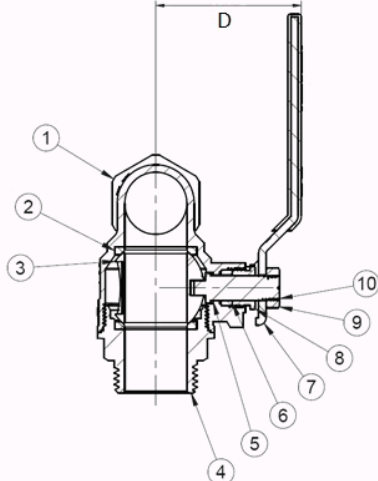
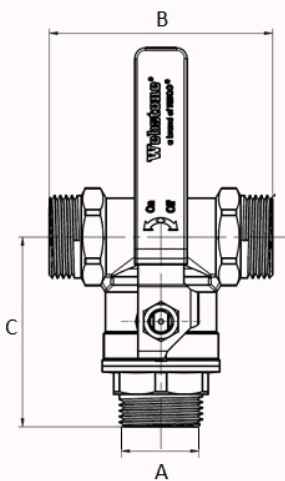
Full Port Forged DZR Brass Ball Valve
w/ Integrated Tee Fitting,
Adjustable Packing Gland,
& Reversible Handle
Requires (3) G-Union Fittings (Sold Separately)

Certifications

Certified to NSF/ANSI/CAN 61 & 372



Size (in)	Item#	Weight (lbs)	CTN Qty	Case Qty	A	B	C	D	200 PSI CWP Max	200°F Max
G-Thread Valve x G-Thread Run										
1"	H-G7674W	1.76	1	12	1.00	3.54	3.00	2.52		
1" x 1 1/2"	H-G7674W-T112	2.38	1	12	1.00	3.94	3.28	2.52		
1 1/2"	H-G7676W	3.59	1	8	1.50	4.72	4.13	3.19		



NO.	DESCRIPTION	MATERIAL
1	Body	Lead-Free DZR Brass
2	Seat	PTFE
3	Ball	Lead-Free DZR Brass
4	Cap	Lead-Free DZR Brass
5	Stem Seal	PTFE
6	Packing	PTFE
7	Handle	Steel CP
8	Packing Gland	Brass
9	Screw	Stainless Steel
10	Stem	Lead-Free DZR Brass

Specifications: Designed for use with water, oil, glycol mix in residential or commercial plumbing and heating systems. Compression models: "A" Dimension is nominal OD; all with reduced port; handles for press/push models are not reversible. G-threaded bodies require matching G-union fitting for installation.



NO.	DESCRIPTION	MATERIAL
1	Body	Lead-Free DZR Brass
2	Seat	PTFE
3	Ball	Lead-Free DZR Brass
4	Cap	Lead-Free DZR Brass
5	Stem Seal	PTFE
6	Packing	PTFE
7	Handle	Steel CP
8	Packing Gland	Brass
9	Screw	Stainless Steel
10	Stem	Lead-Free DZR Brass

Specifications: Designed for use with water, oil, glycol mix in residential or commercial plumbing and heating systems. Compression models: "A" Dimension is nominal OD; all with reduced port; handles for press/push models are not reversible. G-threaded bodies require matching G-union fitting for installation.

