

H-x-G244 - E-X-P Ultra-Compact Tankless Water Heater Service Valves w/ G-Union Fittings

H-x-G244W Series

E-X-P Ultra-Compact Tankless Water Heater Service Valve Kit

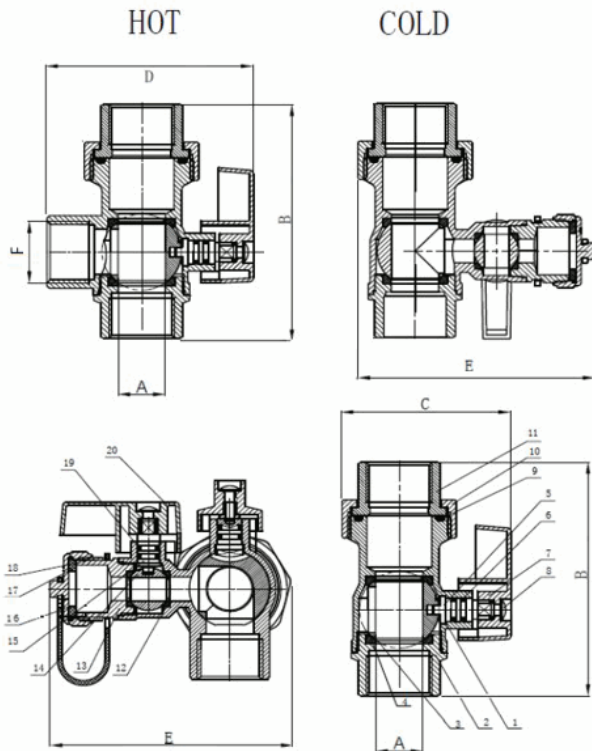
Hot & Cold Set of Full Port Forged DZR Brass Ball Valves w/ 3/4" Hose Drains & G-Union Fittings & Pressure Relief Valve Outlet

Certifications

Certified to NSF/ANSI 61 & 372 - Applies to base model H-G244W



Size (in)	Item#	Weight (lbs)	CTN Qty	Case Qty	A	B	C	D	E	F	G	H	I
										200 PSI CWP Max		200°F Max	
FIP Union x Press													
3/4"	H-8-G2443W	4.24	1	12	0.75	4.30	2.67	3.26	3.80	0.75	0.75	2.83	



NO.	DESCRIPTION	MATERIAL
1	Body	Lead-Free DZR Brass
2	Cap	Lead-Free DZR Brass
3	Ball	Brass HCP
4	Ball Seat	PTFE
5	Stem	Brass
6	O-Ring	EPDM
7	Lever Handle	Aluminum
8	Screw	Steel
9	O-Ring	EPDM
10	Union Nut	Brass
11	Adaptor	Lead-Free DZR Brass
12	Ball Seat	PTFE
13	Cap	Lead-Free DZR Brass
14	Ball	Brass HCP
15	Stem	Brass
16	Cap	Brass
17	Gasket	EPDM
18	Strap	PVC
19	O-Ring	EPDM
20	Lever Handle	Aluminum

Specifications: Designed for use with water, oil, glycol mix in residential or commercial plumbing and heating systems. Threaded (NPT) ends comply with ANSI B1.20.1. EPDM o-rings for press ends.

