



H-x030 - Pro-Pal Add-A-Drain

H-x030W Series

Pro-Pal Add-A-Drain

Hi-Flow Forged DZR Brass Ball Valve
w/ Cap & Strap
& Adjustable Packing Gland

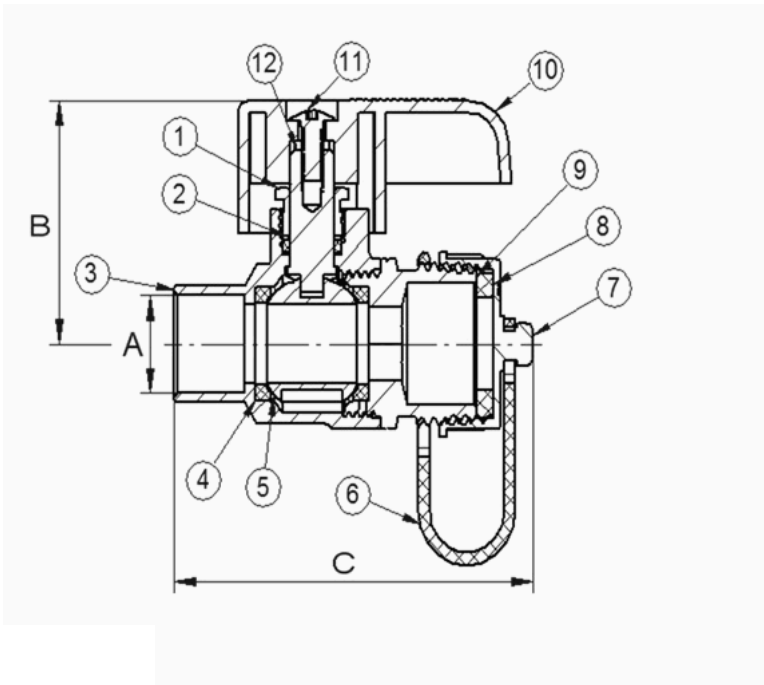
Certifications

Certified to NSF/ANSI/CAN 61 & 372



Size (in)	Item#	Weight (lbs)	CTN Qty	Case Qty	A	B		
FIP x Hose							250 PSI CWP Max	250°F Max
1/2" x 3/4"	H-40302W	0.41	12	72	1.58	2.74		
3/4"	H-40303W	0.44	12	72	1.58	2.74		
1" x 3/4"	H-40304W	0.55	8	64	1.58	3.06		
1 1/4" x 3/4"	H-40305W	0.78	6	48	1.75	3.15		
1 1/2" x 3/4"	H-40306W	0.91	6	36	1.75	3.25		
MIP x Hose							250 PSI CWP Max	250°F Max
1/2" x 3/4"	H-20302W	0.41	12	72	1.58	2.98		
3/4"	H-20303W	0.48	12	72	1.58	3.07		
1" x 3/4"	H-20304W	0.59	8	64	1.58	3.39		
1 1/4" x 3/4"	H-20305W	0.66	6	48	1.75	3.54		
1 1/2" x 3/4"	H-20306W	0.96	6	36	1.75	3.54		
Press x Hose							250 PSI CWP Max	250°F Max
1/2" x 3/4"	H-80302W	0.45	12	72	1.58	3.46		
3/4"	H-80303W	0.52	12	72	1.58	3.66		
1" x 3/4"	H-80304W	0.57	8	64	1.58	3.87		
1 1/4" x 3/4"	H-80305W	0.77	6	48	1.75	3.88		
1 1/2" x 3/4"	H-80306W	1.03	6	36	1.75	4.33		
SWT x Hose							250 PSI CWP Max	250°F Max
1/2" x 3/4"	H-50302W	0.36	12	72	1.58	2.59		
3/4"	H-50303W	0.41	12	72	1.58	2.86		
1" x 3/4"	H-50304W	0.47	8	64	1.58	3.15		
1 1/4" x 3/4"	H-50305W	0.73	6	48	1.75	3.26		
1 1/2" x 3/4"	H-50306W	0.89	6	36	1.75	3.56		





NO.	DESCRIPTION	MATERIAL
1	Packing Gland	Brass
2	Packing	PTFE
3	Body	Lead-Free DZR Brass
4	Seat	PTFE
5	Ball	Brass HCP
6	Strap	PVC
7	Cap	Brass
8	Cap Gasket	EPDM
9	Cap	Lead-Free DZR Brass
10	Handle	Aluminum
11	Screw	Stainless Steel
12	Stem	Brass

Specifications: Designed for use with water, oil, glycol mix in residential or commercial plumbing and heating systems. Threaded (NPT) ends comply with ANSI B1.20.1. Solder joint temperature ratings are per ASME B16.18 Annex A for 95-5 solder. Do not silver braze or overheat valves when soldering. Threaded ends comply with ANSI B1.20.7. EPDM o-rings for press ends.

