

# Lead-Free Bronze Ring Check® Valves

**Features:** Silicon Performance Bronze® Alloy • Inline Lift Type • Resilient Discs • Spring Actuated

**Approvals:** Conforms to MSS SP-139 •  
NSF/ANSI/CAN 61/372-8 Commercial Hot 180°F (includes annex F)

**Size range:** 1/2" - 2"

**Pressure rating:** 250 PSI non-shock cold working pressure

**Maximum pressure / temperature:** 100 PSI at 300° F

Lead-free marking: Double oval in body casting



NSF/ANSI/CAN 61 & 372



**PC-480-Y-LF**  
**PC-480-W-LF**  
Press Ends

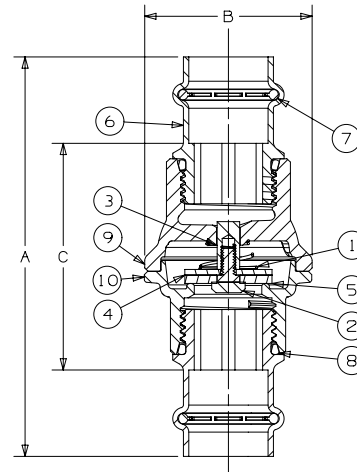
## MATERIAL LIST

PART	SPECIFICATION
1. Spring	Stainless Steel S31600
2. Seat Screw	Stainless Steel 18-8
3. Stem	Stainless Steel ASTM A582 Alloy S30300
4. Disk Holder	Stainless Steel 18-8
5. Disk	(Y) PTFE (W) BUNA-N
6. Press End Adapter	ASTM B75 Alloy C12200
7. Crimp Evident Seal O-Ring	EPDM
8. O-Ring	EPDM
9. Body	Silicon Bronze ASTM B584 Alloy C87600
10. Body End	Silicon Bronze ASTM B584 Alloy C87600

## DIMENSIONS—WEIGHTS—QUANTITIES

SIZE		A		B		C		PC-480-Y-LF		Master
In.	mm.	In.	mm.	In.	mm.	In.	mm.	Lbs.	Kg.	Ctn Qty.
1/2	15	3.647	93	1.570	40	2.251	57	0.48	0.22	100
3/4	20	4.438	113	1.860	47	2.518	64	0.69	0.31	100
1	25	4.640	118	2.360	60	2.870	73	1.07	0.48	50
1 1/4	32	5.117	130	2.680	68	3.097	79	1.53	0.69	30
1 1/2	40	6.314	160	3.060	78	3.544	90	2.12	0.96	30
2	50	7.084	180	3.720	94	4.064	103	3.40	1.54	10

SIZE		A		B		C		PC-480-W-LF		Master
In.	mm.	In.	mm.	In.	mm.	In.	mm.	Lbs.	Kg.	Ctn Qty.
1/2	15	3.647	93	1.570	40	2.251	57	0.48	0.22	100
3/4	20	4.438	113	1.860	47	2.518	64	0.69	0.31	100
1	25	4.640	118	2.360	60	2.870	73	1.06	0.48	50
1 1/4	32	5.117	130	2.680	68	3.097	79	1.52	0.69	30
1 1/2	40	6.314	160	3.060	78	3.544	90	2.11	0.96	30
2	50	7.084	180	3.720	94	4.064	103	3.38	1.53	10



**PC-480-Y-LF**  
**PC-480-W-LF**  
Press x Press

Install 5 Pipe diameters minimum downstream from pump discharge or changes in direction to avoid flow turbulence. Flow straighteners may be required in extreme cases.

NIBCO In-line check valves may be installed in both horizontal and vertical lines, or in any intermediate position.

Do not use for reciprocating air compressor service.

**WARNING:** This product can expose you to chemicals including lead, which is known to the State of California to cause cancer and birth defects or other reproductive harm. For more information go to [www.P65Warnings.ca.gov](http://www.P65Warnings.ca.gov).

LEAD-FREE: Weighted average lead content ≤ 0.25%