

# NIBCO® Press Lead-Free Three Piece Bronze Ball Valves

**Features:** Silicon Performance Bronze® Alloy • Three-Piece Body • Press Ends Leak Detection • Full Port • Blowout-Proof Stem

**Approvals:** MSS SP-110/145 • NSF/ANSI/CAN 61/372-8 Commercial Hot 180°F

**Size range:** 1/2" - 2-1/2"

**Pressure rating:** 250 psi non-shock cold working pressure\*

**Maximum pressure / temperature:** 225 psi at 250° F\*

Lead-free markings: Double oval in body casting, white handle and blue hang tag

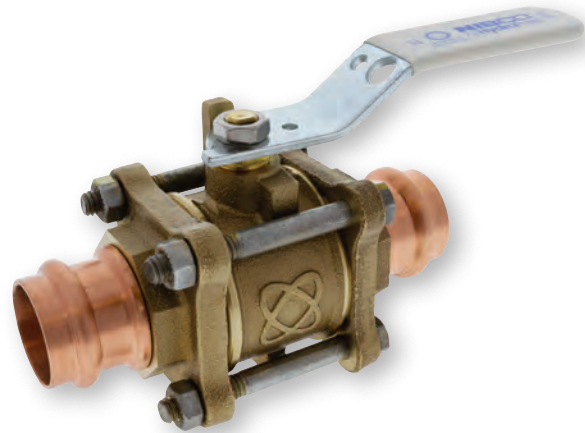


NSF/ANSI/CAN 61 & 372



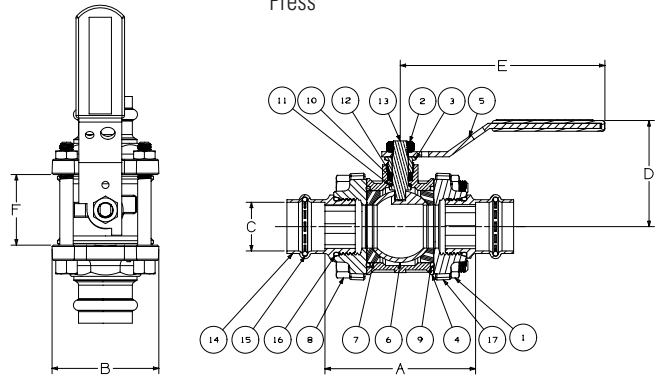
## MATERIAL LIST

PART	SPECIFICATION
1. Body Nuts	Zinc Dichromate Plated Steel ASTM A449 Grade 5
2. Handle Nut	Zinc Plated Steel
3. Threaded Pack Gland	Brass ASTM B16 Alloy C36000
4. Body	Silicon Bronze ASTM B584 Alloy C87850
5. Body End (2)	Silicon Bronze ASTM B584 Alloy C87850
6. Handle	Steel, Plated Plastisol Coated
7. Ball	DZR Brass SAE J461 C46500 (1/4"-1") Stainless Steel ASTM A276 S31600 or ASTM A351 CF8M (1 1/4"-2 1/2")
8. Seats (2)	PTFE "Y" or RPTFE "R" Glass Reinforced
9. Body Bolts	Zinc Dichromate Plated Steel ASTM A449 Grade 5
10. O-ring (2)	FKM
11. Grounding Washer	Stainless Steel- ASTM A-167 304
12. Thrust Washer	Reinforced PTFE
13. Stem Packing	PTFE
14. Stem	Silicon Bronze ASTM B371 Alloy C69300
15. Press End Adapter (2)	Wrot Copper ASTM B75 Alloy C12200
16. O-Ring (2)	EPDM (Leak Detection)
17. Boss Seal O-ring (2)	EPDM



**PC-595-Y-LF**  
**PC-595-R-LF**

Press



## DIMENSIONS - WEIGHTS - QUANTITIES

Size	A		B		C		D		E		F		Weights		Master Ctn. Qty.
	In.	mm.	In.	mm.	In.	mm.	In.	mm.	In.	mm.	In.	mm.	lbs.	kg	
1/2"	2.482	63	1.794	46	0.629	16	1.942	49	3.96	101	0.968	25	1.14	0.52	40
3/4"	3.048	77	1.991	51	0.881	22	2.277	58	4.762	121	1.281	33	1.91	0.87	25
1"	3.505	89	2.484	63	1.132	29	2.469	63	4.762	121	1.643	42	2.84	1.29	15
1 1/4"	3.758	95	2.718	69	1.382	35	3.092	79	6.75	171	1.83	46	4.36	1.98	10
1 1/2"	4.24	108	3.045	77	1.633	41	3.335	85	6.75	171	2.205	56	5.73	2.60	8
2"	6.404	163	4.042	103	2.134	54	3.556	90	6.75	171	2.72	69	11.12	5.04	4
2 1/2"	7.071	180	5.09	129	2.631	67	4.322	110	8.06	205	3.513	89	18.79	8.52	2

\*200 PSI CWP and 200 PSI at 200°F for 2 1/2" and above



**WARNING:** This product can expose you to chemicals including lead, which is known to the State of California to cause cancer and birth defects or other reproductive harm. For more information go to [www.P65Warnings.ca.gov](http://www.P65Warnings.ca.gov).

LEAD-FREE: Weighted average lead content ≤ 0.25%