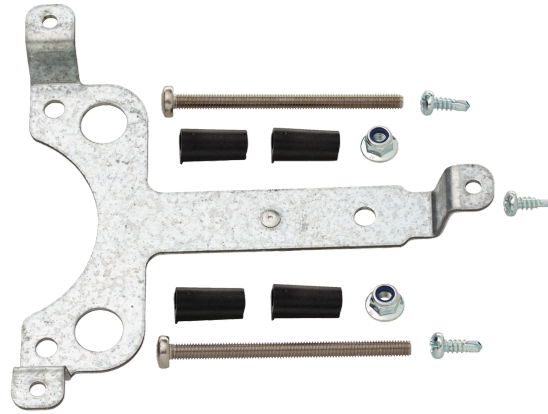


Screw fastening kit

• for TF..



Picture may differ from product

Technical data

Weight	Weight	0.11 kg
Materials	Used materials	Galvanised steel Thermo-plastic material

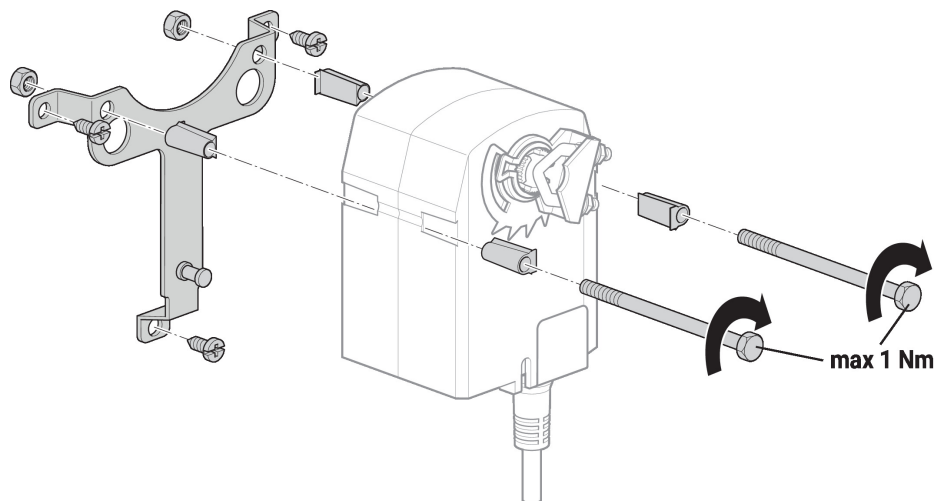
Safety notes



- This accessory has been designed for use in stationary heating, ventilation and air-conditioning systems and must not be used outside the specified field of application, especially in aircraft or in any other airborne means of transport.
- Only authorised specialists may carry out installation. All applicable legal or institutional installation regulations must be complied with during installation.
- The accessory may not be disposed of as household refuse. All locally valid regulations and requirements must be observed.

Product features

Application Suitable for TF..



Dimensions

Type	Weight
SB-TF	0.11 kg