

# Bronze Ball Valves

Two-Piece Body • Full Port • Bronze Trim • Single Union Ends • Blowout-Proof Stem

**600 PSI/41.4 bar non-shock cold working pressure**  
**150 PSI/10.3 saturated steam\*\***

CONFORMS TO MSS SP-110

## MATERIAL LIST

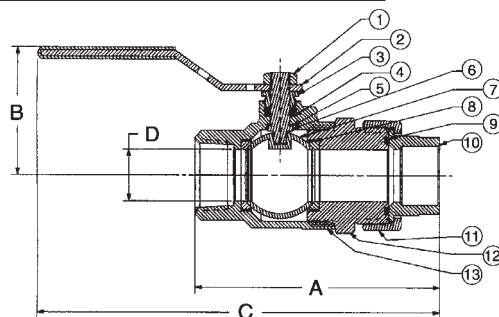
PART	SPECIFICATION
1. Handle Nut	Zinc Plated Steel
2. Handle	Zinc Plated Steel Clear Chromate Plastisol Coated
3. Threaded Pack Gland	Brass ASTM B 16 Alloy C36000
4. Packing	PTFE
5. Thrust Washer	Reinforced PTFE
6. Stem	Silicon Bronze ASTM B 371 Alloy C69300 or ASTM B 99 Alloy C65100
7. Ball	Brass ASTM B 124 Alloy C37700 or ASTM B16 Alloy C36000 EACH with Hard Chrome Plate
8. Seat Ring (2)	Reinforced PTFE
9. O-Ring	FKM
10. Tail Piece	Brass ASTM B 124 Alloy C37700 or Copper ASTM B75 Alloy C12200
11. Union Nut	Brass ASTM B 124 Alloy C37700 or Bronze ASTM B 584 Alloy C84400
12. Body End	Brass ASTM B 124 Alloy C37700
13. Body	Bronze ASTM B 584 Alloy C84400



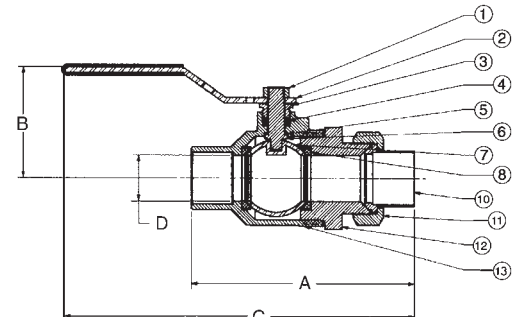
**T-585-70-SU**  
NPT x NPT



**S-585-70-SU**  
C x C



**T-585-70-SU**  
NPT x NPT



**S-585-70-SU**  
C x C

## DIMENSIONS—WEIGHTS—QUANTITIES

Size	Dimensions												Weights				Master Ctn. Qty.
	T-585-70-SU		S-585-70-SU		T-585-70-SU		S-585-70-SU		T-585-70-SU		S-585-70-SU						
	A	A	B	C	C	D	D	Lbs.	Kg.	Lbs.	Kg.						
In. mm.	In. mm.	In. mm.	In. mm.	In. mm.	In. mm.	In. mm.	In. mm.										
½	15 3.57	91 3.32	84 1.88	48 6.22	158 6.00	152 .50	13	1.21	.59	.84	.38			40			
¾	20 4.13	105 4.20	107 2.25	57 7.28	185 7.25	184 .75	19	1.84	.83	1.84	.83			20			
1	25 4.70	119 5.00	127 2.38	60 7.66	195 7.83	199 1.00	25	2.91	1.32	2.97	1.34			20			
1¼	32 5.38	137 6.09	155 3.00	76 9.97	253 10.23	260 1.25	32	4.40	2.00	4.40	2.00			10			
1½	40 6.06	154 7.09	180 3.16	80 10.40	264 10.81	275 1.50	38	6.44	2.92	5.53	2.5			6			
2	50 6.38	162 7.66	195 3.50	89 10.50	267 10.97	279 2.00	51	9.44	4.28	7.40	3.35			4			

\*SP123 is for unions for use with copper water tube

†For detailed operating pressure, refer to pressure temperature chart on page 41.



**WARNING:** This product can expose you to chemicals including lead, which is known to the State of California to cause cancer and birth defects or other reproductive harm. For more information go to [www.P65Warnings.ca.gov](http://www.P65Warnings.ca.gov).

Visit our website for the most current information.