

Bronze Ball Valves

Three-Piece Body • Full Port ¼"-1" • Conventional Port 1¼"-3" • 316SS Trim • Blowout-Proof Stem • Vented Ball

600 PSI/41.4 bar non-shock cold working pressure
150 PSI/10.3 bar saturated steam*



CONFORMS TO MSS SP-110

MATERIAL LIST

PART	SPECIFICATION
1. Handle Nut	Stainless Steel 300 Series
2. Handle	Zinc Plated Steel Clear Chromate Plastisol Coated
3. Threaded Pack Gland	Brass ASTM B 16 Alloy C36000
4. Stem	Stainless Steel ASTM A 276 Type 316
5. Body	Bronze ASTM B 584 Alloy C84400
6. Packing	PTFE
7. Body End (2)	Bronze ASTM B 584 Alloy C84400
8. O-Ring Seal (2)	FKM
9. Seat Ring (2)	PTFE
10. Ball (Vented)	Stainless Steel ASTM A 276 Type 316 or ASTM A 351 Type CF8M
11. Thrust Washer	Reinforced PTFE
12. Body Bolts	Zinc Dichromate Plated Steel ASTM A 449 Grade 5
13. Body Nuts	Zinc Dichromate Plated Steel ASTM A 449 Grade 5

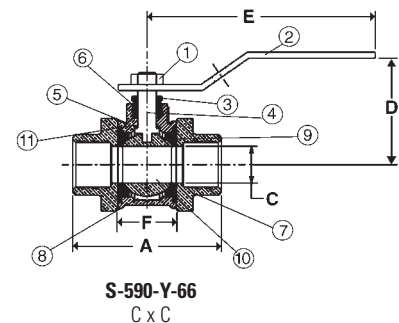
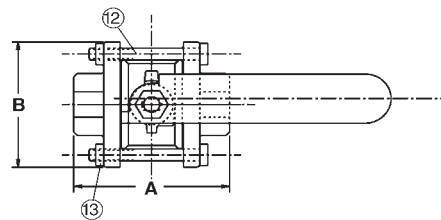
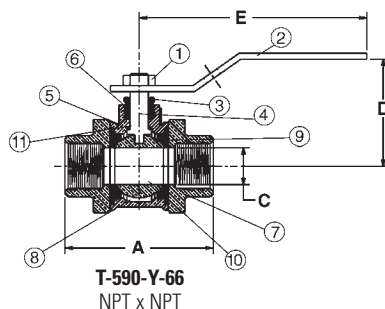
Note: valves are static grounded by a grounding washer. (not shown)



T-590-Y-66
Threaded



S-590-Y-66
Solder



DIMENSIONS—WEIGHTS—QUANTITIES

Size	Dimensions												T-590-Y-66		S-590-Y-66		Master Ctn. Qty.			
	T-590-Y-66		S-590-Y-66		B	C	D	E	F	T-590-Y-66	S-590-Y-66	Lbs.	Kg.							
	A	A	A	A										Lbs.	Kg.					
¼	8	2.50	64	1.69	43	1.81	46	.38	10	1.69	43	3.91	99	1.13	29	1.03	.47	.89	.40	50
⅜	10	2.50	64	1.81	46	1.81	46	.38	10	1.69	43	3.91	99	1.13	29	.98	.44	.89	.40	50
½	15	2.50	64	2.06	52	1.81	46	.50	13	1.69	43	3.91	99	1.13	29	1.03	.47	.89	.40	50
⅝	20	3.00	76	2.94	75	1.94	49	.75	19	2.00	51	4.66	118	1.44	37	1.70	.77	1.59	.72	30
1	25	3.69	94	3.66	93	2.50	64	1.00	25	2.25	57	4.66	118	1.84	47	2.82	1.28	2.55	1.15	20
1¼	32	3.69	94	3.84	98	2.50	64	1.00	25	2.25	57	4.66	118	1.88	48	2.65	1.20	2.38	1.08	20
1½	40	4.09	104	4.25	108	2.69	68	1.25	32	2.75	70	6.69	170	2.03	52	3.77	1.71	3.42	1.55	10
2	50	4.81	122	5.25	133	3.00	76	1.50	38	2.97	75	6.69	170	2.56	65	5.78	2.62	5.31	2.41	10
2½	65	6.16	157	6.12	155	4.00	102	2.00	51	3.63	92	6.69	170	3.19	81	10.75	4.88	9.92	4.50	4
3	80	6.84	174	7.44	189	5.00	127	2.50	64	4.09	104	8.00	203	4.13	105	19.14	8.68	17.93	8.13	2

*NIBCO supplies full port T or S-595-Y-66 on this size.

♦For detailed operating pressure, refer to pressure temperature chart on page 41.

WARNING: This product can expose you to chemicals including lead, which is known to the State of California to cause cancer and birth defects or other reproductive harm. For more information go to www.P65Warnings.ca.gov.

OXYGEN SERVICE OPTION AVAILABLE

Visit our website for the most current information.