

# Bronze Ball Valves

Three-Piece Body • Full Port ¼"-1" • Conventional Port 1¼"-3" • Bronze Trim • Blowout-Proof Stem

**600 PSI/41.4 bar non-shock cold working pressure**

**150 PSI/10.3 bar saturated steam\***

CONFORMS TO MSS SP-110



## MATERIAL LIST

PART	SPECIFICATION
1. Handle Nut	Zinc Plated Steel
2. Handle	Zinc Plated Steel Clear Chromate Plastisol Coated
3. Threaded Pack Gland	Brass ASTM B 16 Alloy C36000
4. Stem	Silicon Bronze ASTM B 371 Alloy C69430 , C69300 or ASTM B 99 Alloy C65100
5. Body	Bronze ASTM B 584 Alloy C84400
6. Packing	PTFE
7. Body End (2)	Bronze ASTM B 584 Alloy C84400
8. O-Ring Seal (2)	FKM
9. Seat Ring (2)	PTFE
10. Ball	Brass ASTM B 124 Alloy C37700 or ASTM B16 Alloy C36000 EACH with Hard Chrome Plate
11. Thrust Washer	Reinforced PTFE
12. Body Bolts	Zinc Dichromate Plated Steel ASTM A 449 Grade 5
13. Body Nuts	Zinc Dichromate Plated Steel ASTM A 449 Grade 5

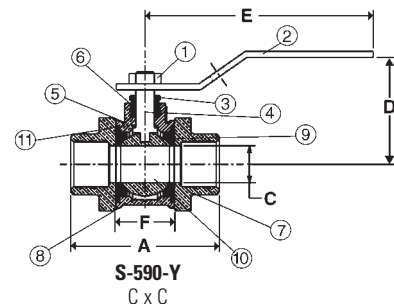
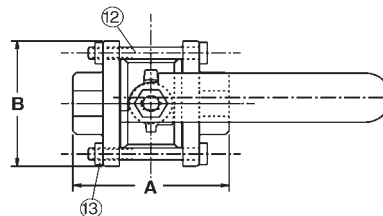
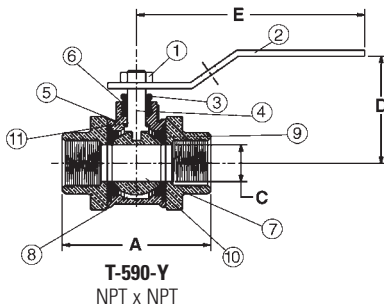


**T-590-Y**  
Threaded



**S-590-Y**  
Solder

Note: valves are static grounded by grounding washer. (not shown)



## DIMENSIONS—WEIGHTS—QUANTITIES

Size	Dimensions										T-590-Y		S-590-Y		Master Ctn. Qty.			
	A		A		B		C		D		E		F			Lbs.	Kg.	
In.	mm.	In.	mm.	In.	mm.	In.	mm.	In.	mm.	In.	mm.	In.	mm.	Lbs.	Kg.	Lbs.	Kg.	
†¼	8	2.50	64	1.69	43	1.81	46	.38	10	1.69	43	3.91	99	1.03	.47	.89	.40	50
†⅜	10	2.50	64	1.81	46	1.81	46	.38	10	1.69	43	3.91	99	.98	.44	.89	.40	50
†½	15	2.50	64	2.06	52	1.81	46	.50	13	1.69	43	3.91	99	1.03	.47	.89	.40	50
†¾	20	3.00	76	2.94	75	1.94	49	.75	19	2.00	51	4.66	118	1.44	.77	1.59	.72	30
†1	25	3.69	94	3.66	93	2.50	64	1.00	25	2.25	57	4.66	118	1.84	.82	2.55	1.15	20
1¼	32	3.69	94	3.84	98	2.50	64	1.00	25	2.25	57	4.66	118	1.88	.82	2.38	1.08	20
1½	40	4.09	104	4.25	108	2.69	68	1.25	32	2.75	70	6.69	170	2.03	.92	3.42	1.55	10
2	50	4.81	122	5.25	133	3.00	76	1.50	38	2.97	75	6.69	170	2.56	1.16	5.31	2.41	10
2½	65	6.16	157	6.12	155	4.00	102	2.00	51	3.63	92	6.69	170	3.19	1.44	8.92	4.50	4
3	80	6.84	174	7.44	189	5.00	127	2.50	64	4.09	104	8.00	203	4.13	1.87	17.93	8.13	2

†NIBCO supplies full port T or S-595-Y on this size.

\*For detailed operating pressure, refer to pressure temperature chart on page 41.

**WARNING:** This product can expose you to chemicals including lead, which is known to the State of California to cause cancer and birth defects or other reproductive harm. For more information go to [www.P65Warnings.ca.gov](http://www.P65Warnings.ca.gov).

Visit our website for the most current information.

**OXYGEN  
SERVICE  
OPTION  
AVAILABLE**