

VAV-Universal – modular VAV/duct pressure control solution with dynamic Δp sensor, can be combined with external VST damper actuator.

Field of application: VAV units or control dampers in comfort ventilation systems

- Application: VAV/CAV, duct pressure control, position control
- Belimo D3, dynamic flow sensor
- Functional Range Differential Pressure 0...2.0 inch WC [0...500 Pa]
- suitable for ...-VST actuator
- Control Communicative, Hybrid, Modulating (0/2...10 V)
- Communication via BACnet MS/TP, Modbus RTU, or Belimo MP-Bus
- Conversion of sensor signals
- Tool connection: Service socket, NFC interface



Picture may differ from product


Technical data

Electrical data	Nominal voltage	AC/DC 24 V
	Nominal voltage frequency	50/60 Hz
	Nominal voltage range	AC 19.2...28.8 V / DC 21.6...28.8 V
	Power consumption in operation	1.5 W
	Transformer sizing	2 VA plus connected VST actuator
	Inrush current	20.0 A @ 5 ms, incl. actuator
	Connection supply/control	Terminals 2.5 mm ²
	Sensor input S1	Connection of external sensor (passive / active / switch)
	Actuator Connection (I) (M)	AC/DC 24 V, PP-Link for VST actuator
Data bus communication	Communicative control	BACnet MS/TP Modbus RTU MP-Bus
	Number of nodes	BACnet / Modbus see interface description MP-Bus max. 8
Functional data	Operating range Y	2...10 V
	Input impedance	100 k Ω
	Operating range Y variable	0...10 V
	Position feedback U note	Max. 0.5 mA Options: Volume / Δp / Position
	Position feedback U variable	0...10 V Start point 0...8 V End point 2...10 V
	Override control	z1 motor stop / damper OPEN (AC/DC 24 V) z2 damper CLOSE / MAX (AC/DC 24 V)
	Configuration	via Belimo Assistant 2
Measuring data	Measuring principle	Belimo D3, dynamic flow sensor
	Installation orientation	position-independent, no zeroing necessary
	Measuring range	-0.08...2.0 inch WC []
	Functional Range Differential Pressure	0...2.0 inch WC [0...500 Pa]
	Maximum system pressure	6 inch WC [1500 Pa]
	Pipe influence	max. +2.5%, linear value for 20 m tube length (5 mm inner diameter) on duct pressure control (STP)
	Burst pressure	± 5 kPa

Technical data

Measuring data	Height Compensation	Adjustment of system height (range 0...9800 ft [0...3000 m] above sea level)
	Condition Measuring Air	32...122°F [0...50°C] / 5...95% RH, non-condensing
	Pressure tube connection	Nipple diameter 0.2" [5.3 mm]
Safety data	Protection class IEC/EN	III, Safety Extra-Low Voltage (SELV)
	Protection class UL	III, Safety Extra-Low Voltage (SELV)
	Power source UL	Class 2 Supply
	Degree of protection IEC/EN	IP42
	Degree of protection NEMA/UL	NEMA 1
	Housing	UL Enclosure Type 1
	EU Conformity	CE Marking
	Certification IEC/EN	IEC/EN 60730-1
	UL Approval	cULus according to UL60730-1, CAN/CSA E60730-1
	UL 2043 Compliant	Suitable for use in air plenums per Section 300.22(C) of the NEC and Section 602 of the IMC
	Type of action	Type 1
	Rated impulse voltage supply / control	0.8 kV
	Pollution degree	2
	Ambient humidity	Max. 95% RH, non-condensing
	Ambient temperature	32...122°F [0...50°C]
Storage temperature	-40...176°F [-40...80°C]	
Servicing	maintenance-free	
Weight	Weight	0.74 lb [0.33 kg]

Safety notes


- The device must not be used outside the specified field of application, especially not in aircraft or in any other airborne means of transport.
- Only authorized specialists may carry out installation. All applicable legal or institutional installation regulations must be complied with during installation.
- The device may only be opened by lifting the cover. It does not contain any parts that can be replaced or repaired by the user.
- The device contains electrical and electronic components and must not be disposed of as household refuse. All locally valid regulations and requirements must be observed.

Product features

- Application** The device is used for comfort applications for pressure-independent control of VAV units, for recording a volumetric flow or for controlling duct pressure. See application brochures.
- Pressure measurement**
The integrated differential pressure sensor is also suitable for very small volumetric flows. The maintenance-free sensor technology enables a wide range of applications in the HVAC comfort area such as in residential buildings, offices, hotels, etc.
- Actuators**
For the various applications and damper designs, various actuator variants with running times of 2.5...120 s are available.
- Control functions**
Volumetric flow (VAV/CAV), duct pressure (STP) or position control (Open Loop)

Product features

Application Variable Air Volume (VAV)	<p>Variable air volume control in the V'min...V'max range, demand-dependent via a modulating reference variable (analog or bus), e.g. room temperature or CO₂ controller for energy-saving air conditioning of individual rooms or zones.</p> <p>V'nom, Δp @ V'nom</p> <p>Calibration parameters, suitable for the VAV unit or the differential-pressure pickup device used</p> <p>Adjustment range Δp @ V'nom: 38...500 Pa</p> <p>V'max (Max)</p> <p>Maximum operating volumetric flow, adjustable 20...100% V'nom</p> <p>V'min (Min)</p> <p>Minimum operating volumetric flow, adjustable 0...100% V'nom</p>
Application Constant Air Volume (CAV)	<p>Constant volumetric flow control. If required, via step switching (switching contacts) for constant volumetric flow applications.</p> <p>Steps: CLOSE / Min / Max / OPEN</p>
Application Volumetric flow measurement	<p>Measurement of a volumetric flow, e.g. for summation or as setpoint measurement for a common extract air box. Transmitter, without damper actuator</p> <p>V'nom, Δp @ V'nom</p> <p>Calibration parameters, tailored to the measuring device / the differential pressure pickup device</p> <p>Adjustment range Δp @ V'nom: 38...500 Pa</p>
Application Position Control (Open Loop)	<p>Position control for VRU-...-BAC integration into an external VAV control loop. Transmitter and actuator unit.</p> <p>Max</p> <p>Range: 20...100 % range of rotation</p> <p>Min</p> <p>Range: 0...100 % range of rotation</p>
Application duct pressure (STP)	<p>Channel or branch pressure control in step operation (switching contacts): CLOSE / P'min / P'max or variable specification of the Δp value P'min...P'max via a continuous command variable (analogue or bus).</p> <p>Lower control limit (STP) 0.08 inch WC [20 Pa] (from firmware V 1.04-xxxx, older firmware versions: 0.16 inch WC [38 Pa])</p> <p>P'nom</p> <p>OEM-specific calibration parameters: 0.16...2.0 inch WC [38...500 Pa]</p> <p>P'max</p> <p>Maximum operating pressure, adjustable P'min...100% P'nom</p> <p>P'min</p> <p>Minimum operating pressure, adjustable 0.08 inch WC [20 Pa]...100% P'nom</p>
Demand Controlled Ventilation (DCV)	<p>Output of the demand signal (damper position) to the higher-level automation system – DCV function.</p>
Bus operation	<p>Thanks to the multi-bus functionality of the VRU-...-BAC, the VAV universal controllers can be easily integrated into a bus system. The communication interface is defined on the system using Belimo Assistant 2: BACnet MS/TP, Modbus RTU, Belimo MP-Bus.</p> <p>A hybrid mode is optionally available for BACnet MS/TP and Modbus RTU, bus connection combined with analog control.</p> <p>In bus mode, a sensor (0...10 V / passive) can optionally be connected, e.g., a temperature sensor or a switching contact, for integration into the higher-level bus system.</p>

Product features

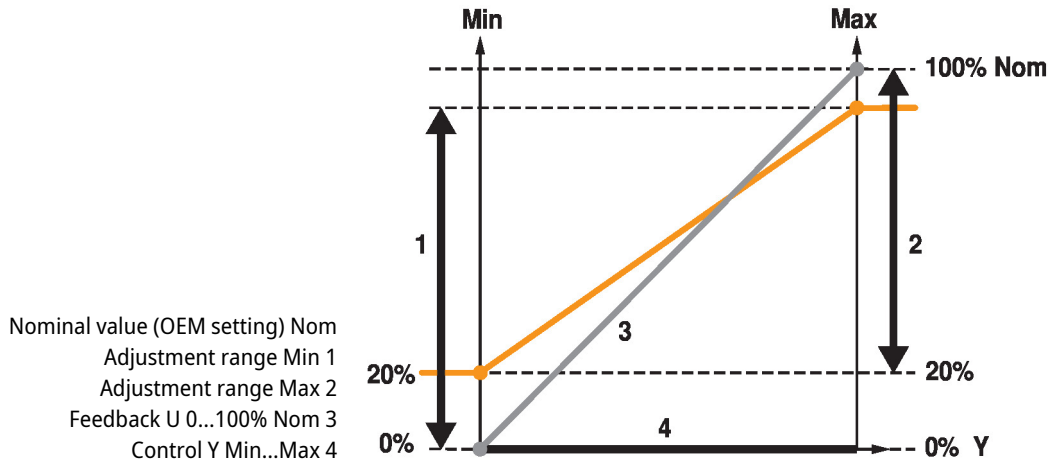
MP-Bus application Compatibility mode: Standard / VRP-M:
Standard / VRP-M

The VRU...-BAC is based on the new Belimo MP data pool model.
 If the VRU...-BAC is used as a VRP-M replacement in an existing MP-Bus system, the VRU...-BAC can be set to the VRP-M function with the compatibility mode parameter. See instructions: VAV-Universal - MP-Bus Existing system: Replace VRP-M with VRU...-BAC.

Operating settings Control functions

Volumetric flow (VAV/CAV), duct pressure (STP – lower control limit 20 Pa), or position control (Open Loop)

Operating settings Min/Max/Nom



Operating and service tools Belimo Assistant 2

Accessories

Tools	Description	Type
	Service tool, with ZIP-USB function, for configurable and communicative Belimo actuators, VAV controller and HVAC performance devices	ZTH EU
	Service tool for wired and wireless setup, on-site operation and troubleshooting.	Belimo Assistant 2
	Belimo Assistant Link Bluetooth and USB to NFC and MP-Bus converter for configurable and communicative devices	LINK.10
Electrical accessories	Description	Type
	Blind plug for VST connector plug, Multipack 25 pcs.	ZG-VRU01
	Complete functions ZIP-BT-NFC as of production date 2019-10-15	

Electrical installation



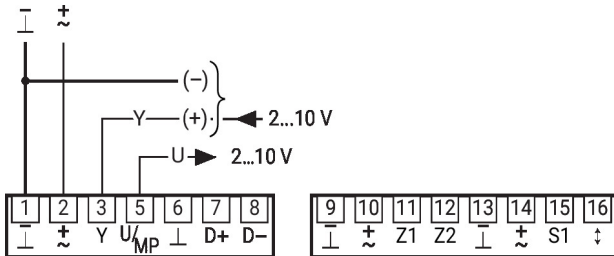
Supply from isolating transformer.

The wiring of the line for BACnet MS/TP / Modbus RTU is to be carried out in accordance with applicable RS485 regulations.

Modbus / BACnet: Supply and communication are not a galvanic dry contact. COM and the ground of the devices must be connected.

Electrical installation

AC/DC 24 V, modulating (VAV)



Priority rule - Analog VAV control

(a)

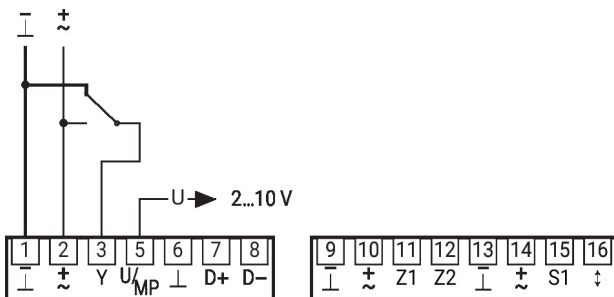
1. z1
2. z2
3. a) adaptation
b) synchronization
4. Y-modulating: min...max

(see override control z1/z2)

Override command - damper
CLOSE - over reference signal Y

(in Mode 2...10 V):
<0.3 V = damper CLOSE
>0.3...2 V = V'min
2...10 V = V'min...V'max

AC/DC 24 V, contactor step control (CAV)



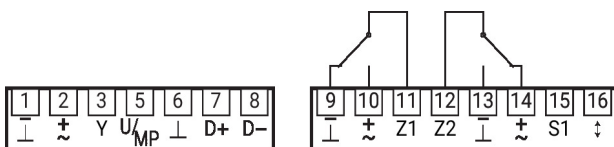
Priority rule - Analogue CAV step control (b)

1. z1
2. z2
3. a) adaptation
b) synchronisation
4. Y-steps: CLOSE-MIN-MAX

(see override control z1/z2)

Contact 2-3 = MAX
3 uncoated = MIN
Contact 1-3 = CLOSE (mode
2...10 V)
MIN (mode 0...10 V)

AC/DC 24 V, override control z1/z2



Override control z1

Contact 11-9 = Motor STOP
Contact 11-10 = Damper OPEN

Override control z2

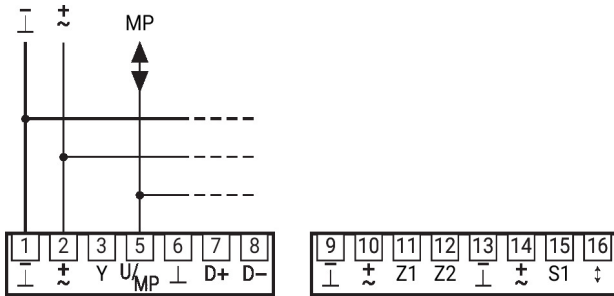
Contact 12-13 = Damper CLOSED
Contact 12-14 = MAX

11/12 uncoated = priority rule
a/b/c/d/e

Further electrical installations

Functions with specific parameters (NFC)

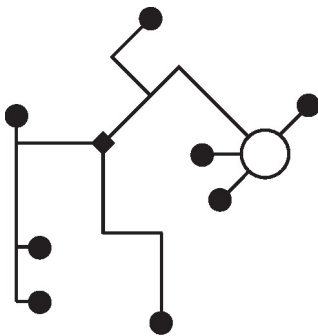
MP-Bus



Priority rule MP-Bus control (c)

1. z1
2. z2
3. Bus watchdog
4. a) adaptation
b) synchronisation
5. Y-step: actuator CLOSED / MIN / MAX
6. Bus override
7. Bus setpoint: min...max

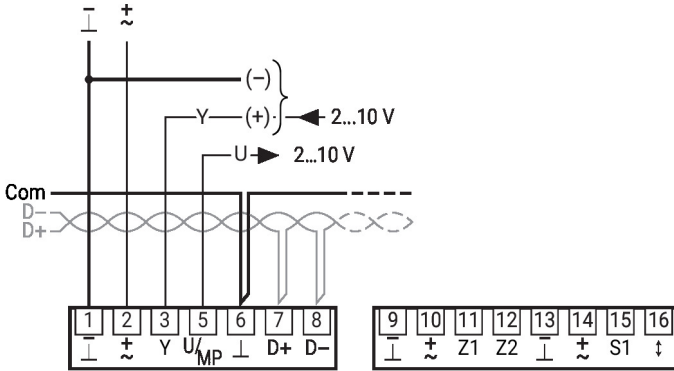
MP-Bus Network topology



There are no restrictions for the network topology (star, ring, tree or mixed forms are permitted).
Supply and communication in one and the same 3-wire cable

- no shielding or twisting necessary
- no terminating resistors required

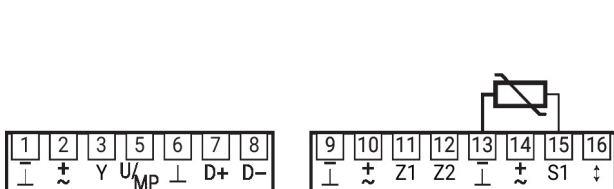
BACnet MS/TP / Modbus RTU with analogue setpoint (hybrid mode)



Priority rule BACnet/ Modbus hybrid mode (e)

1. z1
2. z2
3. Bus watchdog
4. a) adaptation
b) synchronisation
5. Bus override
6. Y-step: actuator CLOSE / MIN / MAX
7. Bus setpoint: min...max

Connection passive sensor (bus operation)



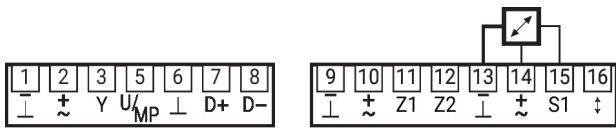
1)	2)
200 Ω...2 kΩ	0.5 Ω
2 kΩ...10 kΩ	2.7 Ω
10 kΩ...55 kΩ	14.7 Ω

- 1) Resistance range
 - 2) Resolution
- Compensation of the measured value is recommended
Suitable for Ni1000 and Pt1000
Corresponding Belimo sensors 01DT-..

Further electrical installations

Functions with specific parameters (NFC)

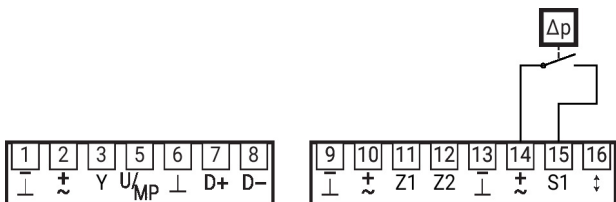
Connection of active sensor (bus operation)



Example:

- Active temperature sensors
- Setpoint generator
- Humidity sensor

Connection switching contact (bus operation)



Requirements switching contact:

The switch must be capable of switching a current of 10 mA @ 24 V accurately.

Example:

- dP sensor
- window contact

Parameter and tool overview
Operating data

Parameter/Function	Unit/Value	Function/Description/(Area)	Application				Tool			Authorisation
			VAV/CAV	Vol. measurement	Position control	Air duct pressure	Assistant app	PC-Tool	ZTH EU	Expert/OEM
Overview										
Position	String	Plant designation (64 Z./ZTH 10 Z.)	X	X	X	X	r	r	r	
Series number	xxxxx-xxxxx-xxx-xxx	Series number VRU	X	X	X	X	r	r	r	
Voltage source	24 V/-		X	X	X	X	r			
Type	VRU-D3-BAC		X	X	X	X	r	r	r	
Application	- Volumetric flow - Measure volumetric flow - Air duct pressure	Application setting (OEM setting)	X	X	X	X	r	r	r	
Control function	VAV-CAV/Position control	Control function (OEM setting)	X		X		r	r	r	
Designation	String	Model designation unit/Damper (OEM, 16 Z.)	X	X	X	X	r	r	-	
Setpoint	VAV: m³/h/l/s/cfm (ZTH: %) Position: % Δp: Pa / in WC (ZTH: %)	Show live data dependent on the selected application	X	-	X	X	X	X	X	
Actual value	VAV: m³/h/l/s/cfm (ZTH: %) Position: % Δp: Pa / in WC (ZTH: %)	Show live data dependent on the selected application	X	X	X	X	X	X	X	
Damper position	0...100%	Show live data	X		X	X	X	X	X	
Override control	Auto/min/max/ OPEN/CLOSE/Motor stop/ Nom	Temporary override function (Tool override)	X		X	X	X	X		
Actuator	Adaption, synchronisation	Trigger adaption, synchronisation	X		X	X	X	X		E
Transmit setting data		System documentation	X	X	X	X	X	X		
Save setting data		Save setting in file	X	X	X	X		X		
Trend display	Setpoint, actual value, damper position	Commissioning, validation, service	X		X	X	X	X		
Trend display	Actual value (volumetric flow)	Commissioning, validation, service		X			X	X		
Transmit trend data		Commissioning, validation, service	X	X	X	X		X		
Diagnosis – Evaluation Status										
Actuator	OK/not connected/Gear disengaged/Actuator blocked/Setting range extended/Connected actuator does not match the application		X		X	X	X	X		
Sensor	OK/Δp sensor incorrectly connected/Measuring value outside measuring range/Δp sensor error		X	X	X	X	X			
Volumetric flow/Air duct pressure	OK/Setpoint not reached		X	X	X	X	X			
Bus	OK/Bus watchdog triggered		X	X	X	X	X			
Diagnosis – Installation Unit/Value Function/Description/(Area)										
Voltage source	24 V/de-energised		X	X	X	X	X			
Operating time	h	Device connected to supply	X	X	X	X	X	X		
Active time	h	Device in motion	X		X	X	X	X		
Software Version		VRU - Firmware Version	X	X	X	X	X	X		

Availability: VAV-Universal components incl. replacement devices are only available from manufacturers of VAV units (OEM).

Authorisations: [E – Expert Mode] – Functionally relevant settings are only accessible via the Expert Mode of the Belimo Assistant App.

Legend

- X Application supports function/Parameter
- r Tool: Read
- w Tool: Write
- Tool: Does not support parameter
- E Only visible in Expert Mode

Parameter and tool overview
Configuration

Parameter/Function	Unit/Value	Function/Description/(Area)	Application				Tool			Authorisation
			VAV/CAV	Vol. measurement	Position control	Air duct pressure	Assistant app	PC-Tool	ZTH EU	Expert/OEM
VAV unit/Duct pressure control damper – manufacturer parameters (OEM values – not variable)										
Application	– Volumetric flow – Measure volumetric flow – Air duct pressure	Application setting					r	r	r	O
Designation	Text string	Model designation unit/Damper (16 Z.)	X	X	X	X	r	r	–	O
V'nom	m³/h/l/s/cfm	Volumetric flow nominal value	X	X	X		r	r	r	O
Δp @ V'nom	Pa / in WC	Calibration VAV unit [38...500 Pa / 0.16...2.0 in WC]	X	X	X		r	r	–	O
P'nom	Pa / in WC	Nominal value Δp STP [38...500 Pa / 0.16...2.0 in WC]				X	r	r	r	O
SN actuator	xxxxx-xxxxx-xxx-xxx	Actuator serial number	X		X	X	r	–	–	
Direction of rotation	ccw/cw	Actuator direction of rotation setting	X		X	X	r/w	r/w	–	E
Range of rotation	Adapted/programmed	Actuator adapted/programmed 30...95°	X		X	X	r/w	r/w	–	E
Power on behaviour	No action/Synch. / Adaption	Actuator power-on behaviour	X		X	X	r/w	r/w	–	E
Suppress damper leakage	OFF/ON	Retrofit application, damper leakage	X				r	r	–	O
NFC interface	ON/OFF	NFC communication for app access	X	X	X	X		r	–	O
Configuration – Project specific settings										
Position	Text string	Plant designation (64 Z./ZTH 16 Z.)	X	X	X	X	r/w	r/w	r	
max.	m³/h / l/s / cfm % (Position) Pa / in WC (ZTH: %)	VAV/CAV >V'min...100% V'nom Damper position (Pos.Cntrl.) >Min...100% Δp step max >P'min...100% P'nom ¹⁾	X	X	X	X	r/w	r/w	r/w	
min.	m³/h / l/s / cfm % (Position) Pa / in WC (ZTH: %)	VAV/CAV 0...100% V'nom Damper position (Pos.Cntrl.) 0...100% Δp step min 0.8 in WC[20 Pa]...100% P'nom	X	X	X	X	r/w	r/w	r/w	
Height compensation	ON/OFF	Switch function on/off	X	X	X	X	r/w	r/w	–	E
Altitude of installation	0 m	compensates Δp and volumetric flow values to the set altitude of installation (above sea level)	X	X	X	X	r/w	r/w	–	E
Function	VAV-CAV/Position control	Control function	X		X		r/w	r/w	–	E
Room-pressure cascade	OFF/ON	VAV: Secondary circuit room pressure cascade	X				r/w	r/w	–	E
Setpoint	Analogue/Bus	Analogue and hybrid mode/Bus	X	X	X	X	r/w	r/w	–	E
Setpoint offset	0%	VAV: ±5% compensation ETA unit	X				r/w	r/w	–	E
Reference signal Y	2...10 V/0...10 V/adjustable	Setting for VAV control	X		X	X	r/w	r/w	–	E
Feedback type	Volumetric flow/Δp/Position	VAV: Volume/Δp/Damper position Pressure: Δp/Damper position	X	(X)	X		r/w	r/w	–	E
Feedback U	2...10 V/0...10 V/adjustable	Setting U signal	X	X	X	X	r/w	r/w	–	E

1) STP application - Lower control limit: 0.8 in WC [20 Pa] (from firmware V 1.04-xxxx, older firmware versions: 0.16 in WC [38 Pa]).

Availability: VAV-Universal components incl. replacement devices are only available from manufacturers of VAV units (OEM).

Authorisations: [E – Expert Mode] – Functionally relevant settings are only accessible via the Expert Mode of the Belimo Assistant App.

Legend

- X Application supports function/Parameter
- r Tool: Read
- w Tool: Write
- Tool: Does not support parameter
- E Only visible in Expert Mode

Parameter and tool overview

Bus parameter

Parameter/Function	Unit/Value	Function/Description/(Area)	Tool			Authori- sation
			Assistant app	PC-Tool	ZTHEU	Expert/OEM
Configuration – Communication						
Bus protocol	BACnet MS/TP/Modbus/MP		r/w	r/w	–	E
Bus protocol	BACnet MS/TP					
MAC address	0...127		r/w	r/w	–	E
Baud rate	9600/.../115200		r/w	r/w	–	E
Terminating resistor	OFF/ON		r/w	r/w	–	E
Instance number	0...4194304		r/w	r/w	–	E
Device name	VAV-Universal	(32 Z.)	r/w	r/w	–	E
Max. master	0...127		r/w	r/w	–	E
Bus protocol	Modbus RTU					
Address	1...247		r/w	r/w	–	E
Baud rate	9600/.../115200		r/w	r/w	–	E
Terminating resistor	OFF/ON		r/w	r/w	–	E
Parity	1-8-N-2/...E-1/...-O-1/...-N-1		r/w	r/w	–	E
Bus protocol	MP-Bus					
MP address	PP/MP1...8	PP (MP off)/MP1...8	r/w	r/w	–	E
Bus fail position	0%	0...100% (min...max)	r/w	–	–	E
Compatibility mode	Default/VRP-M ¹⁾	Default: Belimo MP datapool device VRP-M: as VRP-M replacement in existing MP system ¹⁾	r/w	r/w	–	E

Note:

¹⁾ Refer to instructions: VAV-Universal – MP-Bus existing system: Replace VRP-M with VRU-...-BAC

Availability:

VAV-Universal components incl. replacement devices are only available from manufacturers of VAV units (OEM).

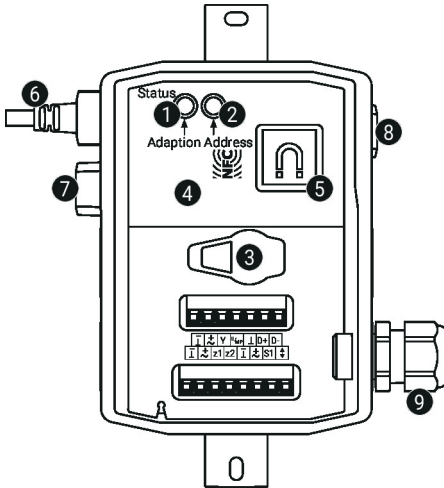
Authorisations:

[O – OEM, Manufacturer Mode] – VRU controllers are calibrated and parameterised by the unit manufacturer according to the application and project. These settings can only be changed by the manufacturer.

[E-Expert Mode] - Functionally relevant settings are only accessible via the Expert Mode of the Belimo Assistant App.

Legend:

X Application supports function/Parameter
r Tool: Read
w Tool: Write
– Tool: Does not support parameter
O Access only with OEM authorisation
E Only visible in Expert Mode

Operating controls and indicators

1 Push-button and LED display green

- On: In operation (Power ok)
- Flashing: Pending status information Belimo Assistant 2
- Press button: Triggers angle-of-rotation adaptation, followed by standard mode

2 Push-button and LED display yellow

- Flashing: MP addressing
- Press button: Confirmation of the addressing

3 Service plug

For connecting configuration and service tools

4 NFC interface

Belimo Assistant 2, over NFC interface (Android) or with ZIP-BT-NFC converter for bluetooth connection (iOS and Android Phone)

5 Mounting plate

For ZIP-BT-NFC (magnet)

6 Connection (I) (M)

For ...VST actuator

7 Blind plug (II)
8 Connection Δp sensor

6 mm (tube inside diameter 5 mm)

9 Cable gland M16 (tightening torque 3 Nm)
Installation notes
Installation situation

Mounting VAV-Universal control equipment:

The VAV-Universal set is assembled on the VAV unit in the factory by the VAV unit manufacturer, the actuator is connected to the VRU controller, set and calibrated.

Installation of the VAV unit:

The VAV unit must be installed according to the specifications of the VAV unit manufacturer.

Installation specification Δp sensor:

No restrictions, but it must be avoided that any condensation can run into the sensor and remain there.

Accessibility of control equipment:

Accessibility to the control equipment must be guaranteed at all times.

Cable gland M16x1.5, cable diameter 5...10 mm

Depending on the connection situation, the cable gland can be inserted in one of the M16x1.5 openings.

Application without actuator:

The unused connection socket (I)(M) can be sealed with a blind plug ZG-VRU01, available as an add-on device.

Replacing the actuator:

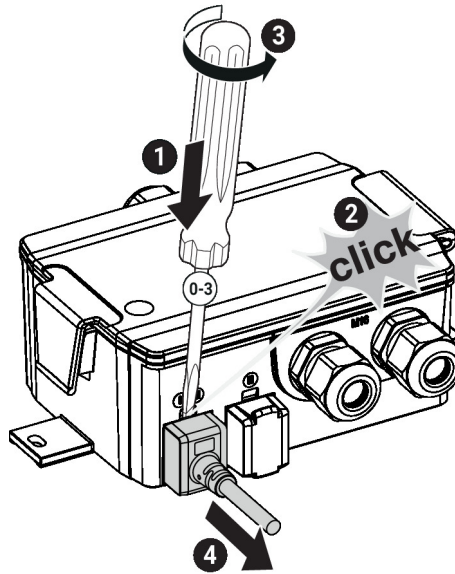
If the VST actuator is replaced during operation, the 24 V supply to the VRU controller must be briefly interrupted. This causes the corresponding actuator driver to be read in.

Pressure tube connections:

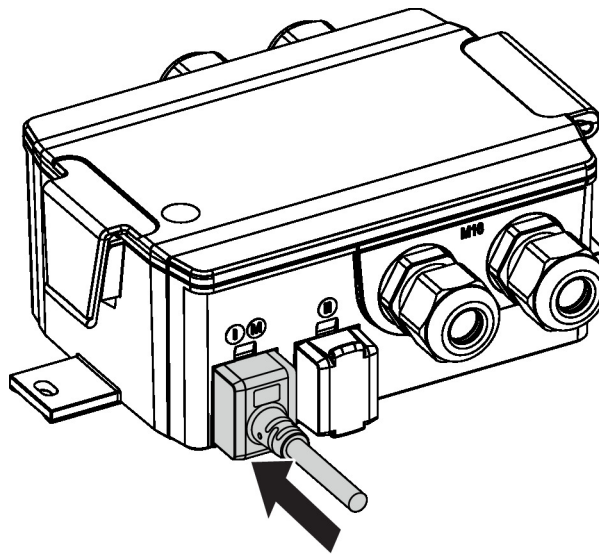
The pressure tube connections must not come into contact with liquids or greasing agents of any kind; this includes any residue inside or on the surface of the pressure tubes.

Installation notes

Disconnect actuator The connecting cable of the VST damper actuator can be removed from the VRU controller using a screwdriver (size 0...3) as shown in the illustration.

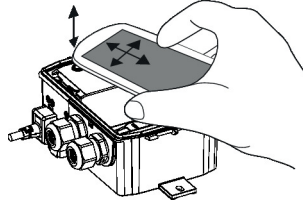


Connect actuator To ensure IP protection and the electrical connection, the VST plug must be fully inserted into the connector socket. For this, a certain amount of force is required.

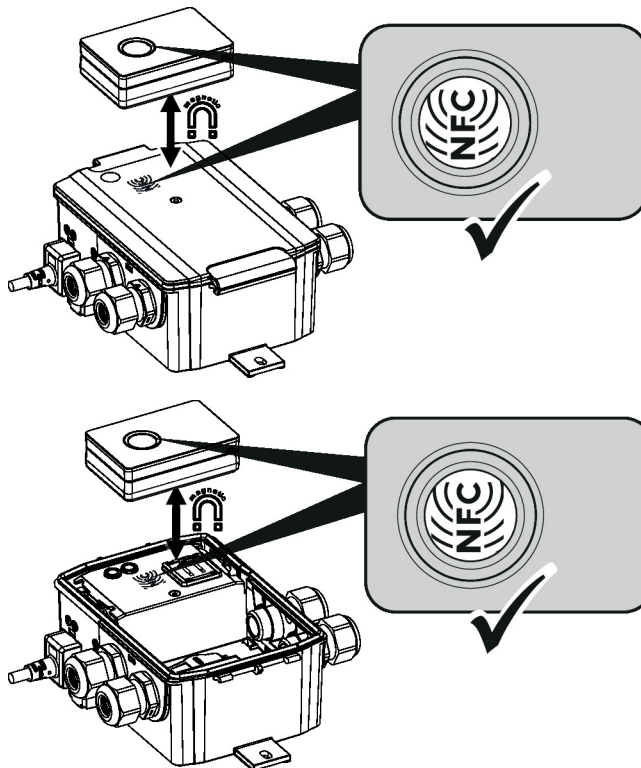


Servicing Cleaning work during installation, commissioning or maintenance
 Belimo VAV devices are maintenance-free. We recommend dry removal of dust from the outside of the housing if necessary.
 Maintenance is performed on the duct system and the VAV units at the times of the cleaning intervals required by law or by the specific system. Please observe the following points.
 Cleaning work on the damper, differential pressure pickup devices and pressure tubes
 When cleaning the duct system or the VAV unit, remove the pressure tubes from the VAV controller so that it will not be affected.
 Using compressed air, e.g. blowing out the differential pressure pickup devices or pressure tubes
 Before doing this work, disconnect the differential pressure pickup devices or pressure tubes from the differential pressure sensor.
 Connecting the pressure tubes
 To ensure the correct installation of the pressure tubes, we recommend marking them with + or - before disassembly.

Wireless connection Belimo devices marked with the NFC logo can be operated with the Belimo Assistant 2.
 Requirement:
 - NFC- or Bluetooth-capable smartphone
 - Belimo Assistant 2 (Google Play and Apple AppStore)
 Align NFC-capable smartphone on the device so that both NFC antennas are superposed.
 Connect Bluetooth-enabled smartphone via the Bluetooth-to-NFC converter ZIP-BT-NFC to the device. Technical data and operating instructions are shown in the ZIP-BT-NFC data sheet.

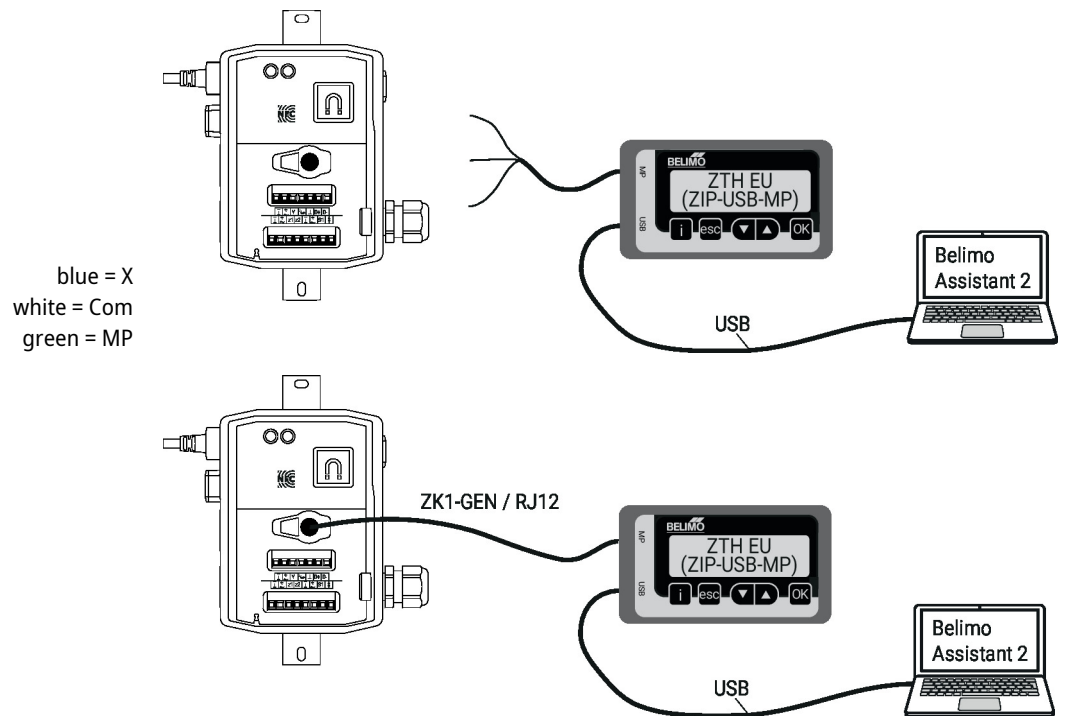


Converter ZIP-BT-NFC

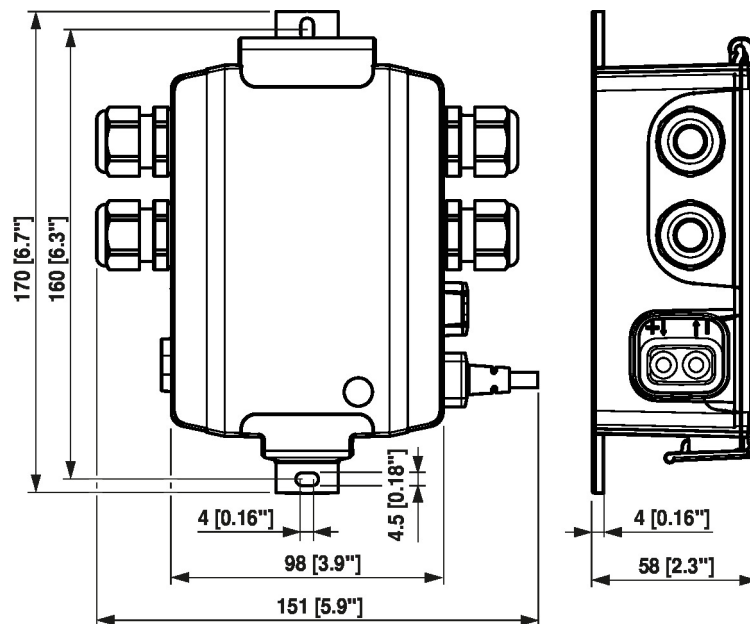


Service

Wired connection The device can be configured by ZTH EU via the service socket or by Belimo Assistant 2 via NFC



Dimensions



Further documentation

- Volumetric flow and pressure control from Belimo, product range overview
- Data sheets for VST-actuators
- VAV-Universal application description
- Tool connections
- Modbus Interface description
- Description Data-Pool Values
- BACnet Interface description
- Introduction to MP-Bus Technology
- Overview MP Cooperation Partners
- Quick Guide – Belimo Assistant 2