

**Mounting kit for linkage operation**

- for flat and side installation



Picture may differ from product

**Technical data**

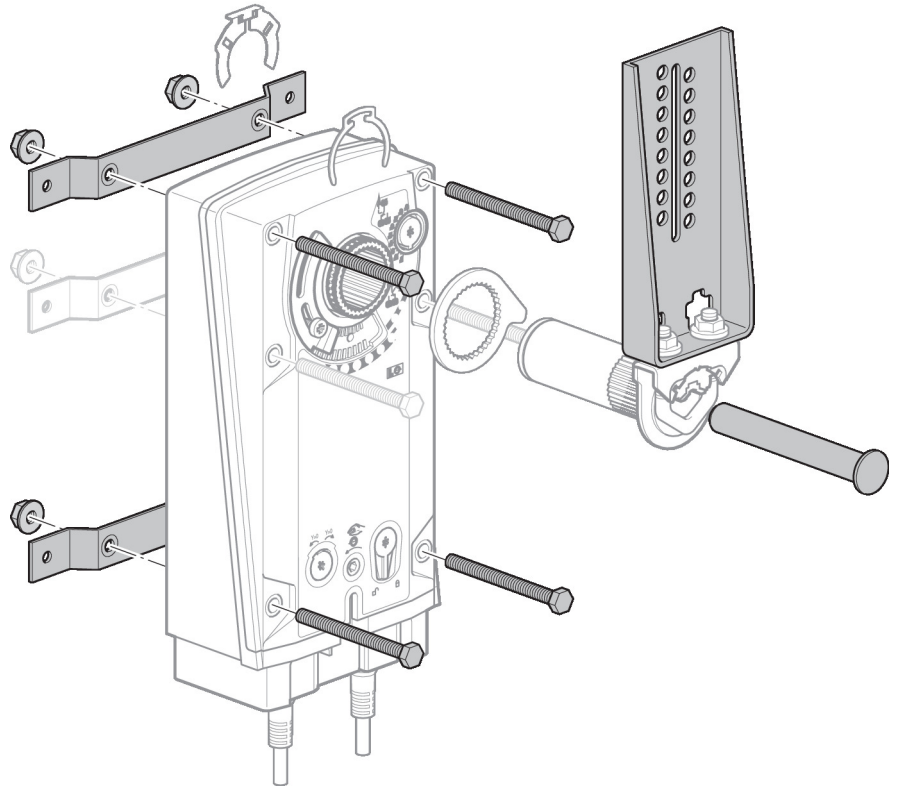
<b>Weight</b>	Weight	0.96 kg
<b>Materials</b>	Used materials	Galvanised steel

**Safety notes**

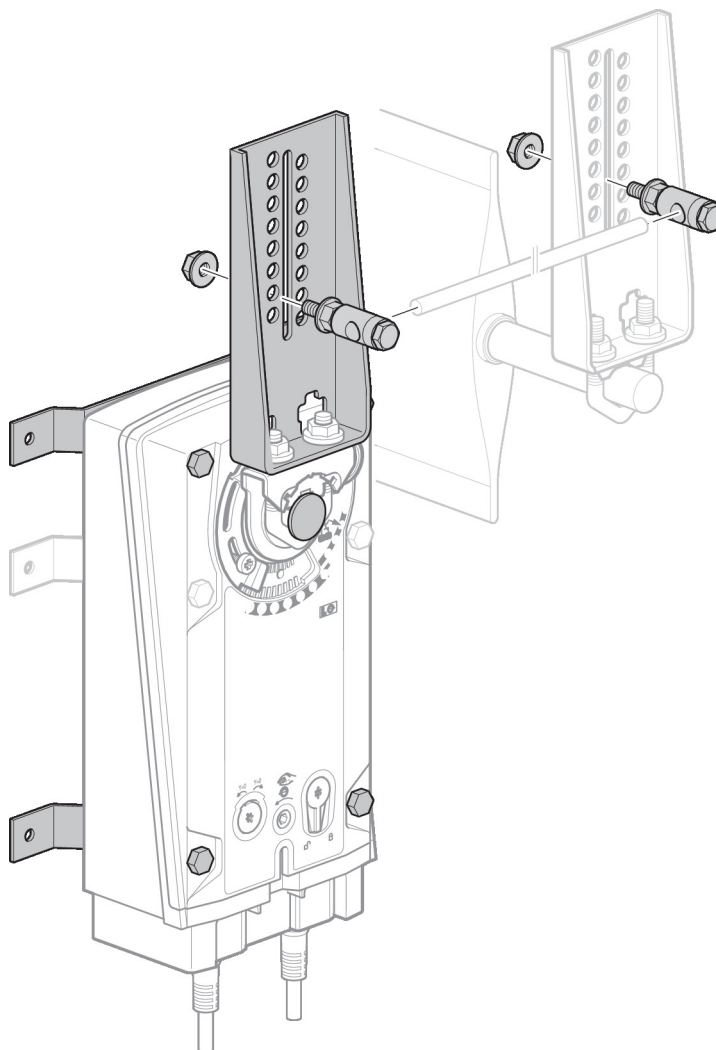

- This accessory has been designed for use in stationary heating, ventilation and air-conditioning systems and must not be used outside the specified field of application, especially in aircraft or in any other airborne means of transport.
- Only authorised specialists may carry out installation. All applicable legal or institutional installation regulations must be complied with during installation.
- The accessory may not be disposed of as household refuse. All locally valid regulations and requirements must be observed.

Product features

**Application** Suitable for EF..A



## Product features



## Dimensions

**Type**  
ZG-EFB

**Weight**  
0.96 kg