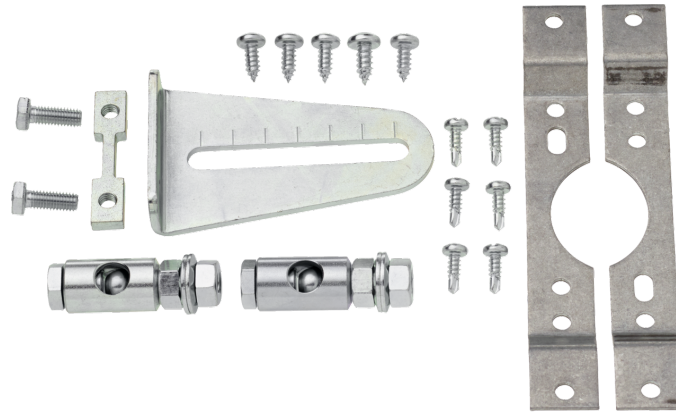


**Mounting kit for linkage operation**

- for flat installation



Picture may differ from product

**Technical data**

<b>Weight</b>	Weight	0.31 kg
<b>Materials</b>	Used materials	Galvanised steel

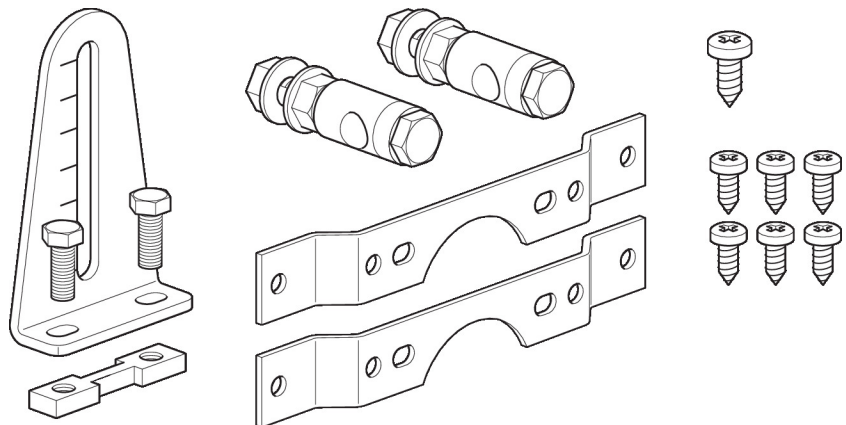
**Safety notes**



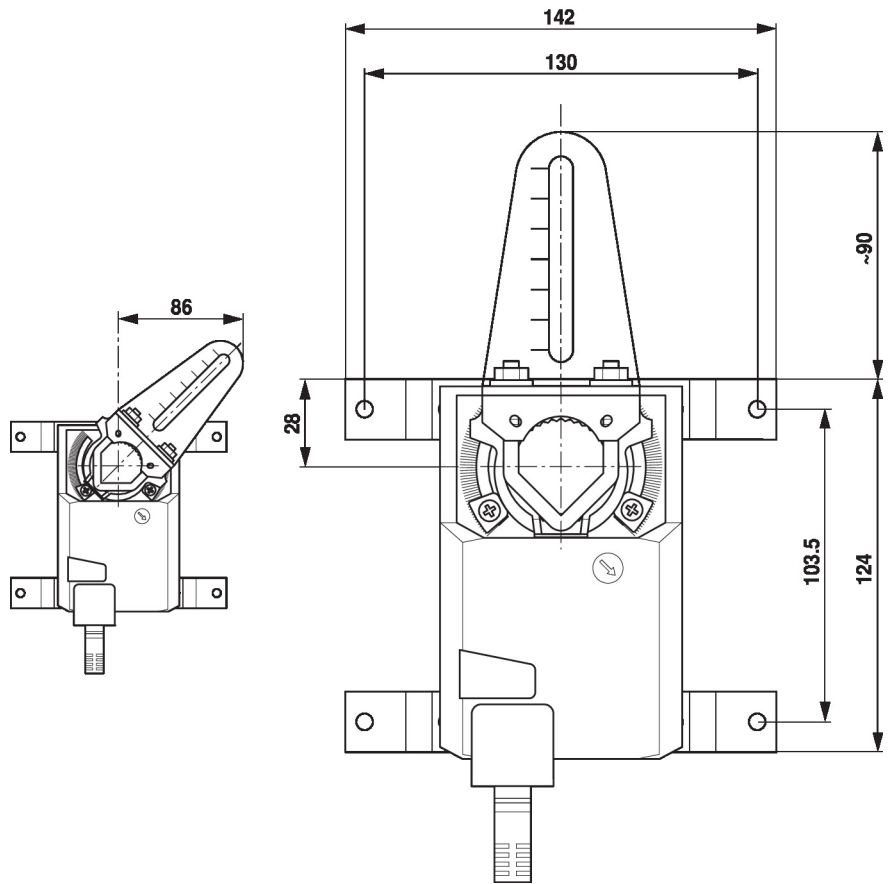
- This accessory has been designed for use in stationary heating, ventilation and air-conditioning systems and must not be used outside the specified field of application, especially in aircraft or in any other airborne means of transport.
- Only authorised specialists may carry out installation. All applicable legal or institutional installation regulations must be complied with during installation.
- The accessory may not be disposed of as household refuse. All locally valid regulations and requirements must be observed.

**Product features**

**Application** Suitable for LMQ..A, NM..A, NMC..A, NMQ..A



## Dimensions



**Type**  
ZG-NMA

**Weight**  
0.31 kg