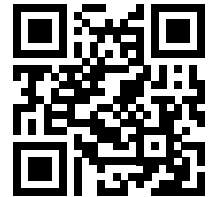
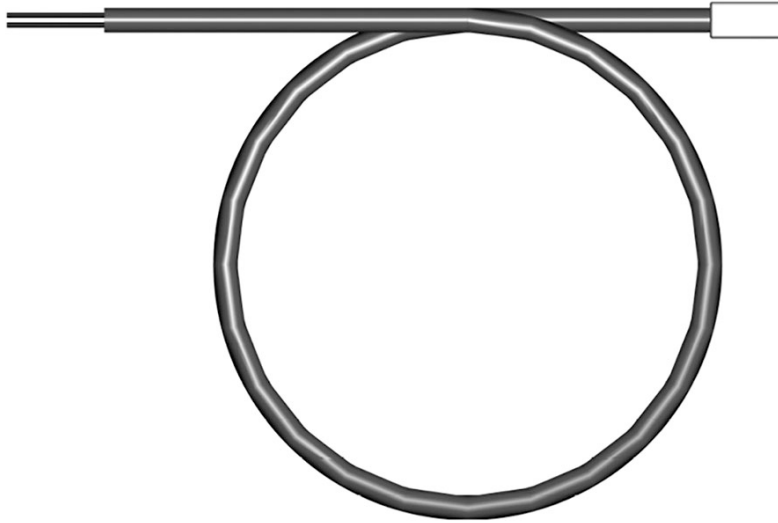


INSTRUCTION MANUAL

001084036 Rev 1



Bell & Gossett Temperature Sensor Part #104502

For use on ecocirc[®] products requiring temperature
control

1 Installation

1.1 Wiring

EN

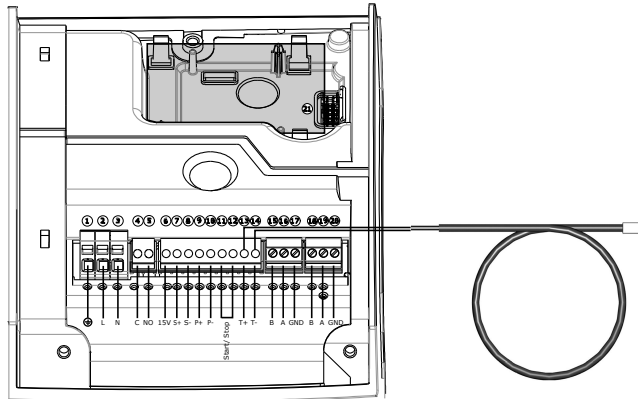


Figure 1: Connection diagram for ecocirc XL single phase models

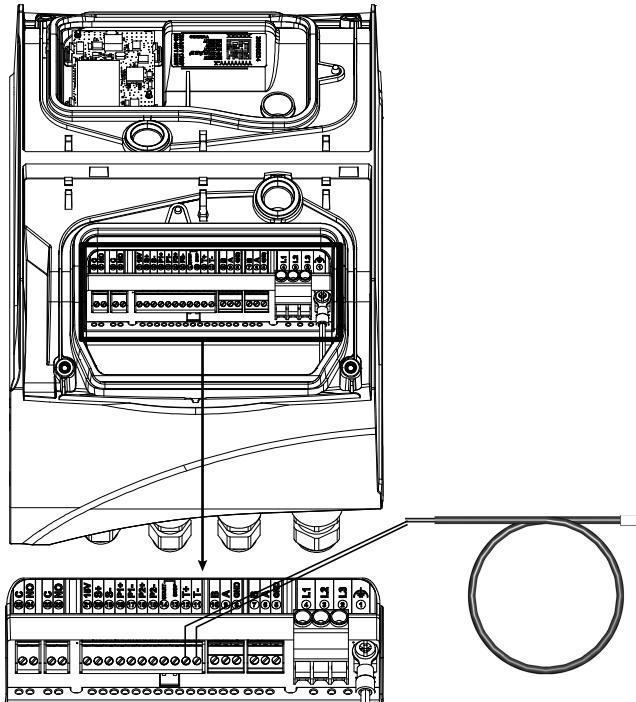


Figure 2: Connection diagram for ecocirc XL three phase models

EN

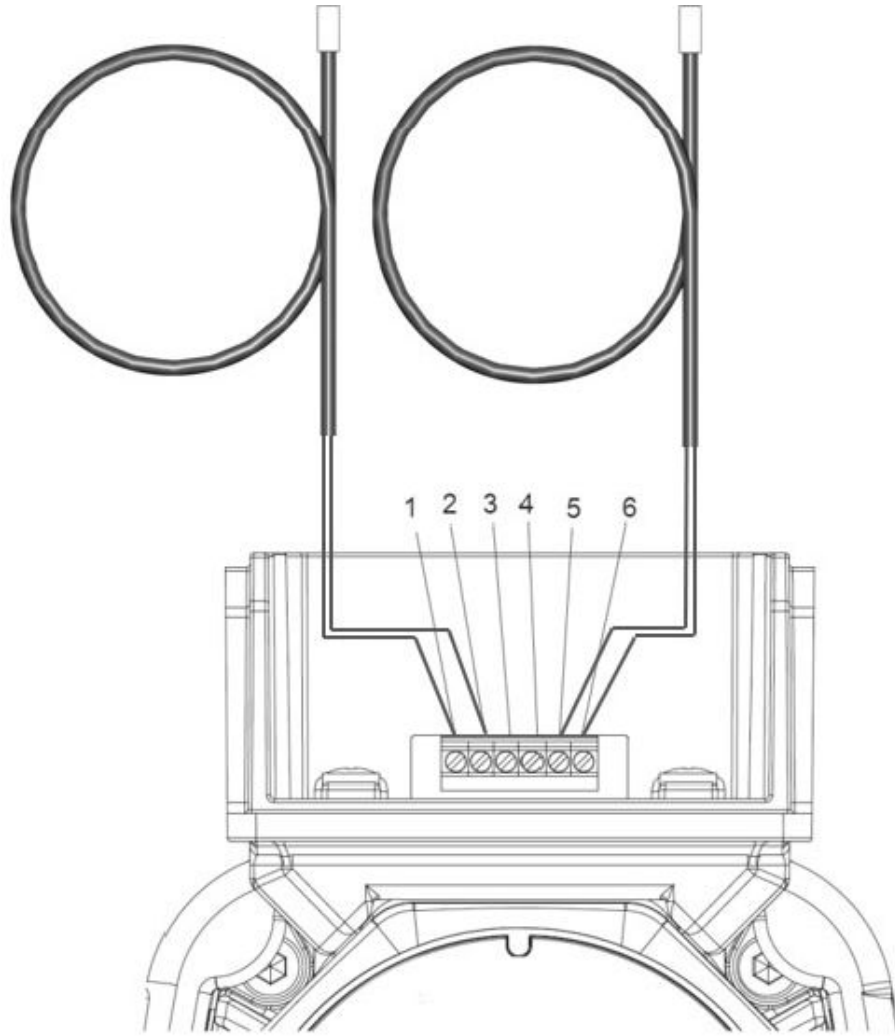


Figure 3: Connection diagram for ecocirc 20-18+ for single temperature or delta T control.

Note: For single temperature control, use either terminals 1 & 2 or 5 & 6.

Xylem |'zīləm|

- 1) The tissue in plants that brings water upward from the roots;
- 2) a leading global water technology company.

We're a global team unified in a common purpose: creating advanced technology solutions to the world's water challenges. Developing new technologies that will improve the way water is used, conserved, and re-used in the future is central to our work. Our products and services move, treat, analyze, monitor and return water to the environment, in public utility, industrial, residential and commercial building services settings. Xylem also provides a leading portfolio of smart metering, network technologies and advanced analytics solutions for water, electric and gas utilities. In more than 150 countries, we have strong, long-standing relationships with customers who know us for our powerful combination of leading product brands and applications expertise with a strong focus on developing comprehensive, sustainable solutions.

For more information on how Xylem can help you, go to www.xylem.com



Xylem Inc.
8200 N. Austin Avenue
Morton Grove, IL 60053
Tel: (847) 966-3700
Fax: (847) 965-8379
www.xylem.com/bellgossett

Visit our Web site for the latest version of this document and more information
The original instruction is in English. All non-English instructions are translations of the original instruction.
© 2024 Xylem Inc.
Xylem and Bell & Gossett are registered trademarks of Xylem Inc. or one of its subsidiaries. All other trademarks or registered trademarks are property of their respective owners.